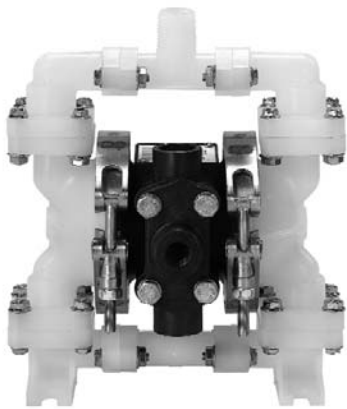


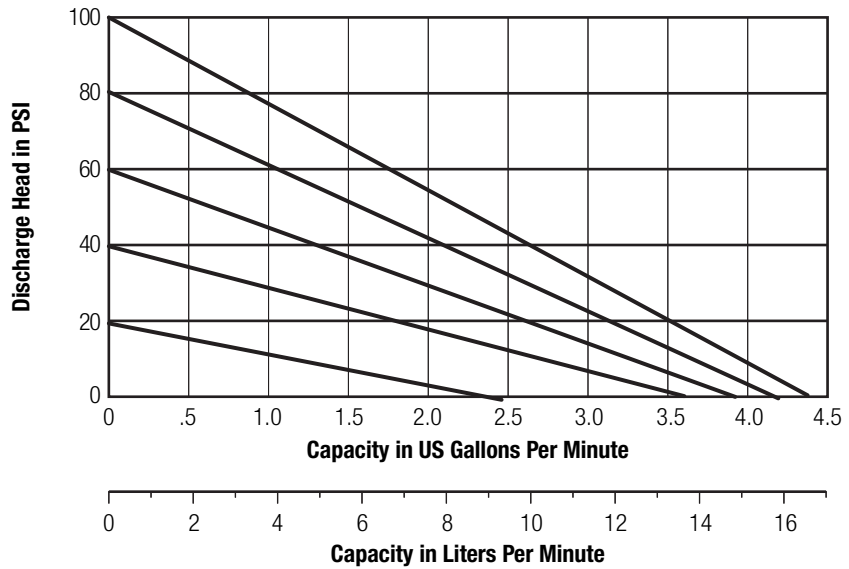
# E6 1/4" Plastic Bolted Pumps Specifications and Performance

## SPECIFICATIONS E6

- FLOW RATE** (Adjustable) ..... 0-4 gpm (151 lpm)
- PORT SIZE** Inlet and Outlet
- I.D. .... 0.25" NPTF I.D.
- O.D. .... 0.50" NPTM O.D.
- AIR INLET** ..... 0.25" NPTF
- AIR EXHAUST** ..... 0.75" NPTF
- SUCTION LIFT** ..... 5.83' Dry/25.5' Wet  
 ..... (1.78m/777m)
- MAX. PARTICLE SIZE** (Dia.) ..... 0.3125" (1mm)
- SHIPPING WEIGHTS**
- Acetal ..... 5.00 lbs (2.27 kg)
- Polypropylene ..... 3.38 lbs (1.53 kg)
- PVDF ..... 4.13 lbs (1.87 kg)



## PERFORMANCE Determined by actual flow meter tests. E6



**CAUTION:** Do not exceed 125 psig (8.5 bars) air supply or liquid pressure.

## DIMENSIONS Consult factory for certified drawings. E6

