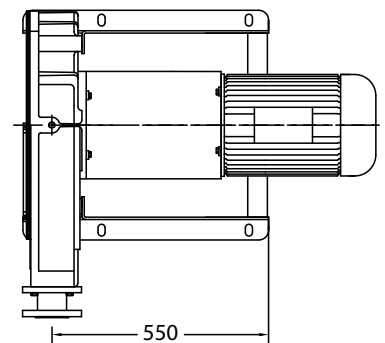
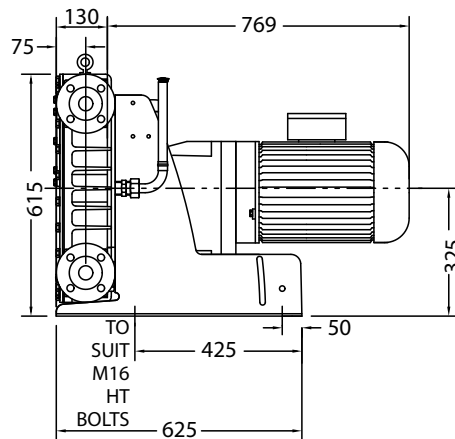
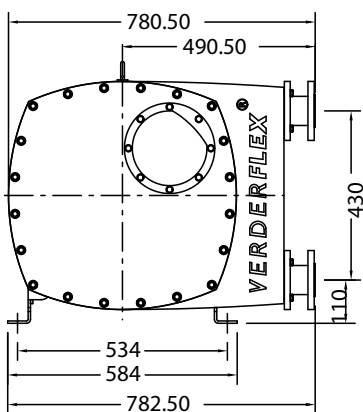


Verderflex VF40



VERDERFLEX®

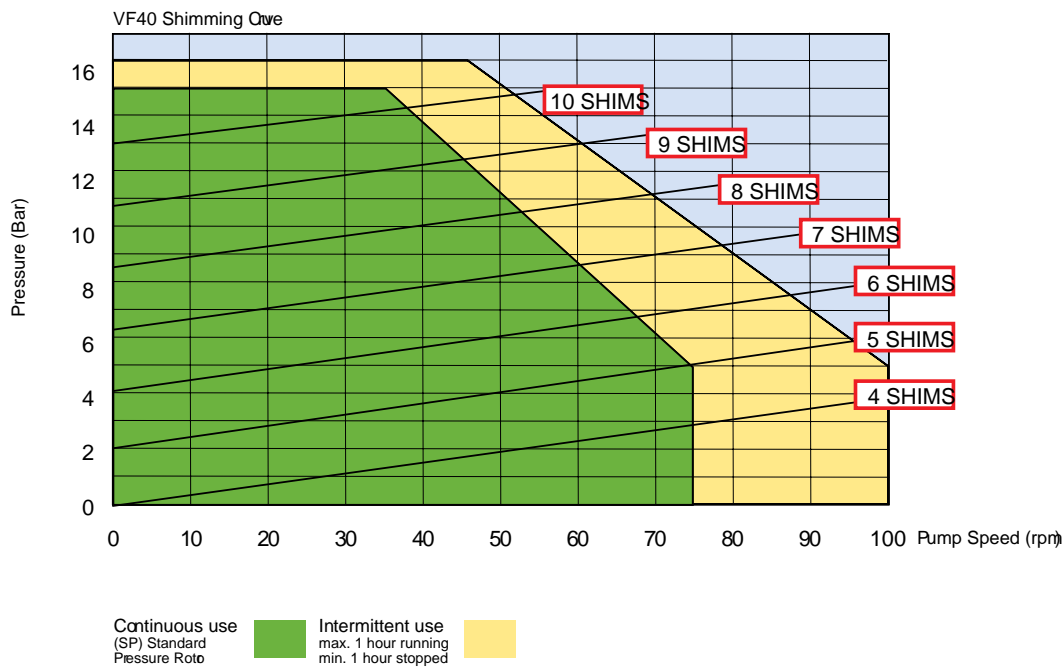
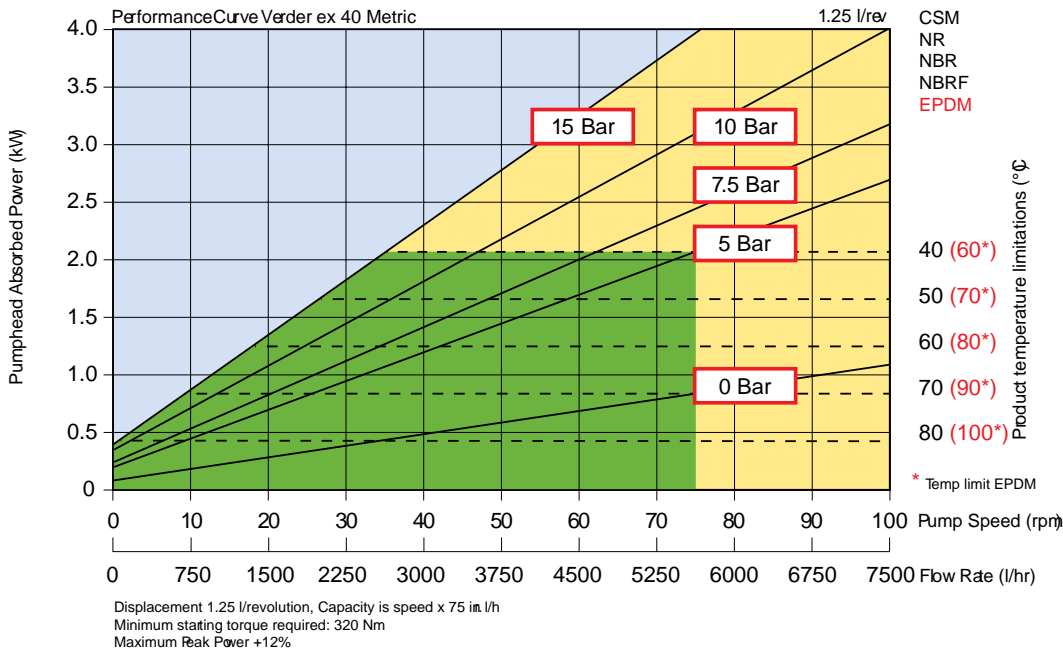
| Description | Material | Paint Detail |
|--------------------------|--|---------------------|
| Pump Housing | Cast Iron (GG25) | Green Powder Coated |
| Front Cover | Carbon Steel with Perspex Inspection Window | Powder Coated |
| Rotor | Cast Iron (GG25) | |
| Rotor Shoes | Aluminium (6082T6) | |
| Port Flange | 304 Stainless Steel Universal slotted design fits with 40 mm 1 1/2" DIN PN16, ANSI 150# & JIS10K Hygienic Flanges available on request to special order | |
| Inserts | Stainless Steel (316L) Options: Polypropylene, P.V.D.F. Inserts | |
| Mounting Frame | Carbon Steel | Powder Coated |
| Lubricant | Verderlube - Glycerine based compound Verdersil - Silicone oil | |
| Hose | Natural Rubber (NR) Options: Nitrile Buna Rubber (NBR) Ethylene Propylene Diene Mono-mer (EPDM), Food Grade Nitrile Buna (NBRF) and Hypalon® (CSM) | |
| Typical Pump Unit Weight | 273 - 295 kg | |



All dimensions are in mm.
All dimensions and weights are for guidance only.



9 HUGHUÀH[VF40



For product temperatures above 65 C and/or viscosity above 2000mPa.s use one shim less than show

Flows are typical and were measured with water at 20°C with no suction lift or discharge pressure. Actual flows will vary according to suction conditions, discharge pressure and normal component production tolerances.

VF_Techno_Rev03_2014_(eu)_VF

Find your local supplier

DW ZZZ YHUGHUÀH[FRP

)RU FRQVWUXFWLRQ LQVWDOODWLRQ DQG ÀRRU passion for pumps QJV
SOHDVH FRQWDFW \RXU ORFDO® distributor UULVHG 9HUGHUÀH[

VERDER

passion for pumps

www.motralec.com / service-commercial@motralec.com / 01.39.97.65.10