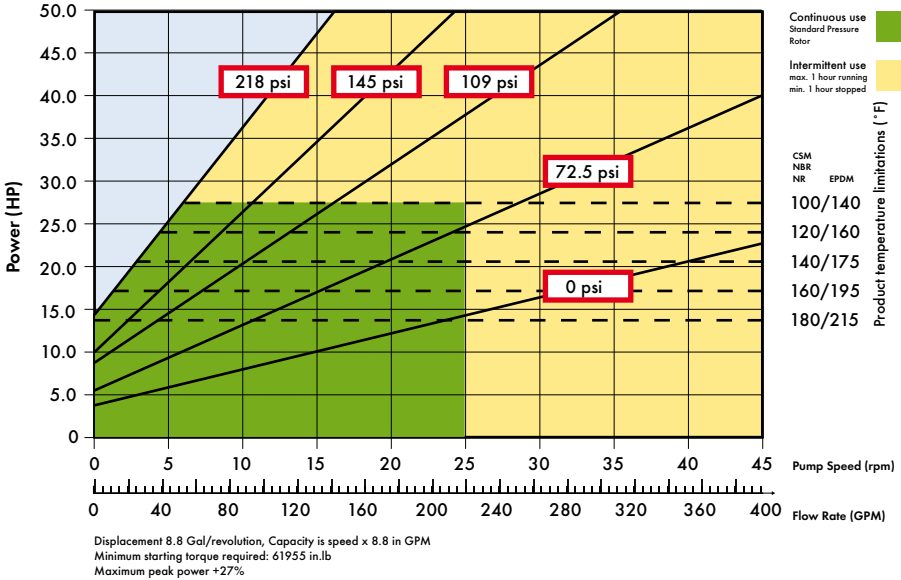


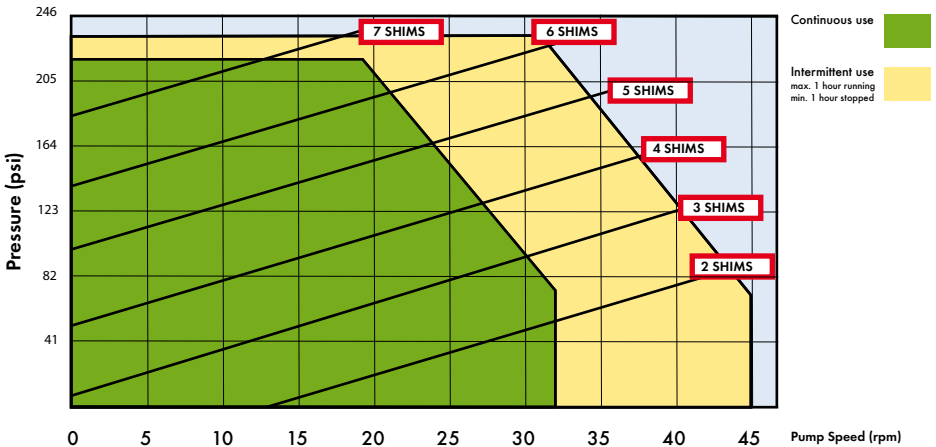
# VERDERFLEX VF125

## Technical Data Sheet

### Performance Curve



### Shimming Curve

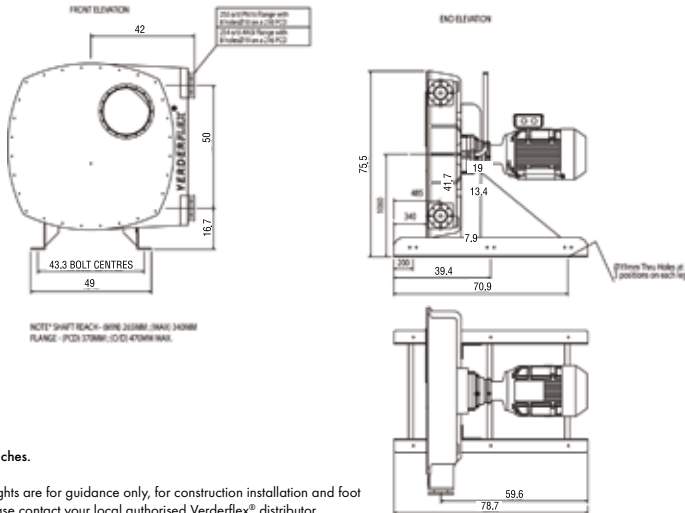


# VERDERFLEX VF125

## Technical Data Sheet

VERDERFLEX®

### General Arrangement Layout



All dimensions are in inches.

All dimensions and weights are for guidance only, for construction installation and foot mounting drawings please contact your local authorised Verderflex® distributor.

### Standard Materials of Construction

Description	Material	Weight (lbs)	Paint Detail
Pump Housing	Cast Iron (GG25)	2987	RAL 6018 (Green)
Front Cover	Mild Steel (BS EN.10.025:1993/5275)	309	RAL 7021 (Black)
Rotor	Cast Iron (GG25)	611	
Rotor Shoes	Aluminium (6082T6)	176	
Flanges	Mild Steel (BS EN.10.025 FE430A)	331	
Inserts	Stainless Steel (316L) Polypropylene P.V.D.F	18	
Base Frame	Carbon Steel	463	RAL 7035 (Grey)
Lubricant	Verderlube - Glycerine based compound Verdersil - Silicone oil	21.1 Gallons	
Hose	NR, NBR, CSM and EPDM	95	
Close coupled pump unit - "Flat Pack"		5512	

Rev:21 Dec 07