



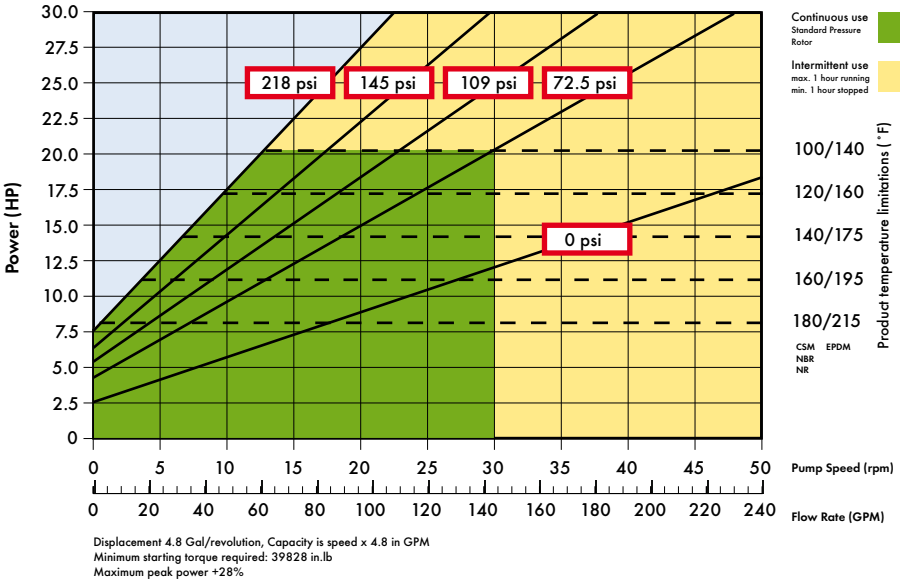
Solutions in Pumping Technology

VERDERFLEX®

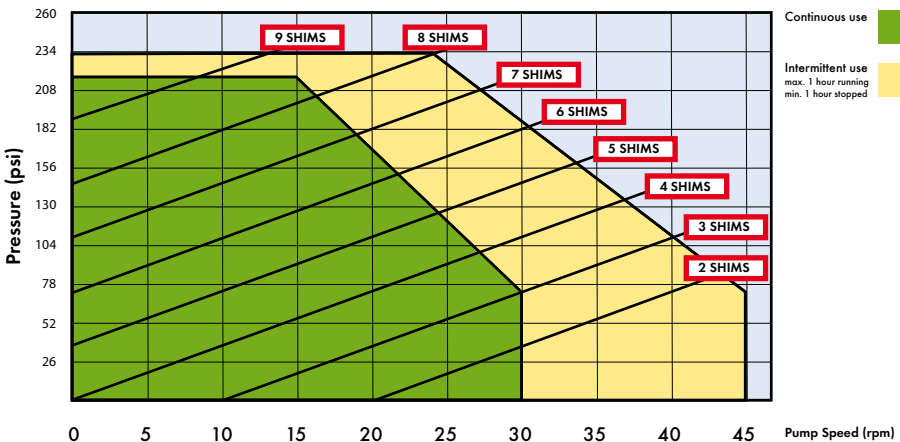
# VERDERFLEX VF100

## Technical Data Sheet

### Performance Curve



### Shimming Curve

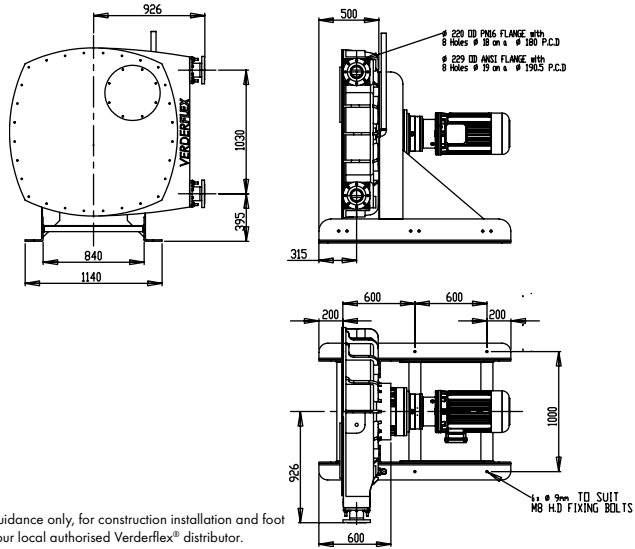


# VERDERFLEX VF100

## Technical Data Sheet

VERDERFLEX®

### General Arrangement Layout



All dimensions are in inches.

All dimensions and weights are for guidance only, for construction installation and foot mounting drawings please contact your local authorised Verderflex® distributor.

### Standard Materials of Construction

Description	Material	Weight (lbs)	Paint Detail
Pump Housing	Cast Iron (GG25)	1863	RAL 6018 (Green)
Front Cover	Mild Steel (BS EN10.025:1993/5275)	251	RAL 7021 (Black)
Rotor	Cast Iron (GG25)	492	
Rotor Shoes	Aluminium (6082T6)	110	
Flanges	Mild Steel (BS EN.10.025 FE430A)	220	
Inserts	Stainless Steel (316L) Polypropylene P.V.D.F	8.8	
Base Frame	Carbon Steel	419	RAL 7035 (Grey)
Lubricant	Verderlube - Glycerine based compound Verdersil - Silicone oil	15.8 Gallons	
Hose	NR, NBR, CSM and EPDM	77.2	
Close coupled pump unit - "Flat Pack"		3748	

Rev:21 Dec 07