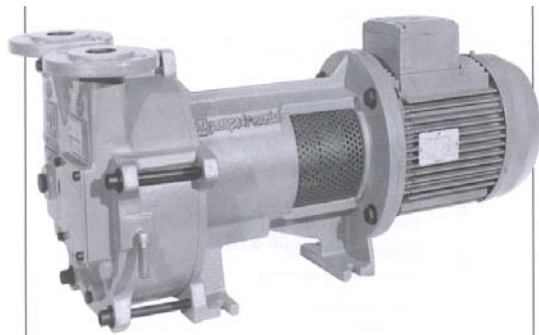


# TRAVAINI PUMPS USA

## TRVB 40

### Single Stage Medium/High Vacuum Pumps

PERFORMANCE DATA	: From 25 Torr	CAPACITY:	40 - 150 cfm
FEATURES	: Single-stage rotating pump with overhang ball bearings grease lubricated.		
SHAFT SEALING	: Mechanical seal		
OPTIONS	: Direct monoblock with electric motors.		



#### TECHNICAL DATA

PUMP TYPE		TRVB 40-110		TRVB 40-150		TRVB 40-200	
Speed	RPM	1450	1750	1450	1750	1450	1750
Motor - installed power	HP	5	5	5	7.5	7.5	10
Average service liquid flow	GPM	5	5	5	5	5	5
Noise level at 60 Torr	dB(A)	68	68	69	69	72	72
Minimum suction pressure	Torr	25	25	25	25	25	25

Pumps are provided with threaded connections for service liquid, pump draining, anticavitation valve and companion flanges. Pumps are also provided, by request, with auxiliary threaded connections, companion flanges, flanged air-liquid separator tank, non return valve, vacuum relief valve, valve to control the flow of the liquid supply, vacuum gauges, pressure gauges and compound gauges. We can also provide information on our water sealed and oil sealed systems. For more detailed information please contact our Sales Office.

#### Example for Model Designation

**T R V B 40 - 200 / C - M / GH**

**T** Travaini Pump USA construction

**R** Liquid Ring Pump

**V** Single impeller pump with valves for medium and high vacuum

**B** Design number

**40** Flange size (mm)

**200** Nominal capacity (m<sup>3</sup>/h)

**C** Shaft sealing / Mechanical seal

**M** Close-coupled construction with lantern

**GH** Materials of construction  
GH-RA-A3 = See table

#### Standard Materials of Construction

Part No.	Description	GH	RA	A3
101	Suction/ Discharge casing	Cast Iron		
110	Impeller housing			
120	Rear plate			
210	Shaft	Stainless Steel AISI 420	Stainless Steel AISI 316	
230	Impeller	Bronze		
330 353	Bearing housing	Cast Iron		
341	Motor lantern			

Special Materials Available Upon Request  
Indicative table: for further information please consult our Sales Office

**motralec**

4 rue Lavoisier . ZA Lavoisier . 95223 HERBLAY CEDEX

Tel. : 01.39.97.65.10 / Fax. : 01.39.97.68.48

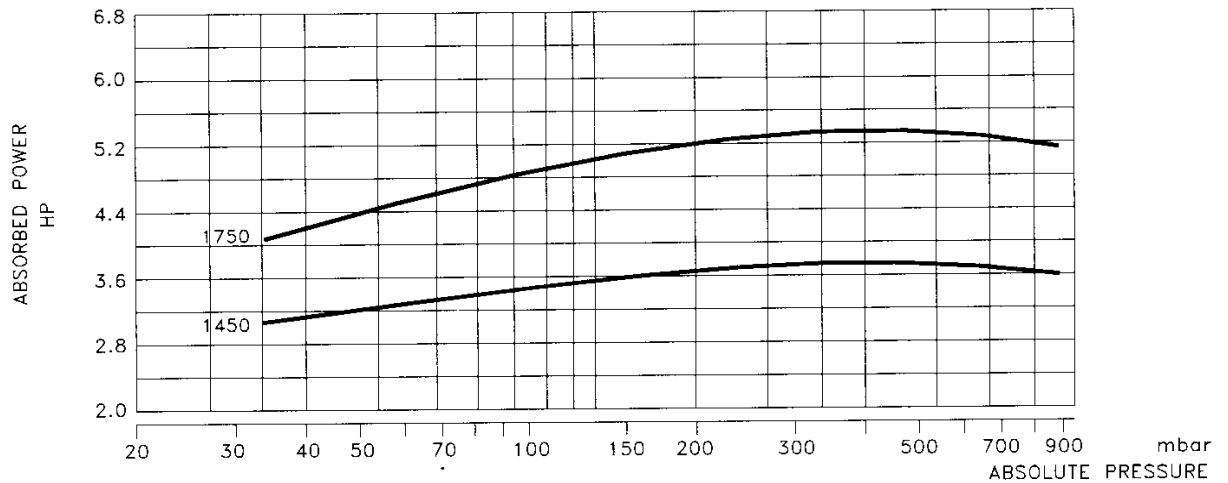
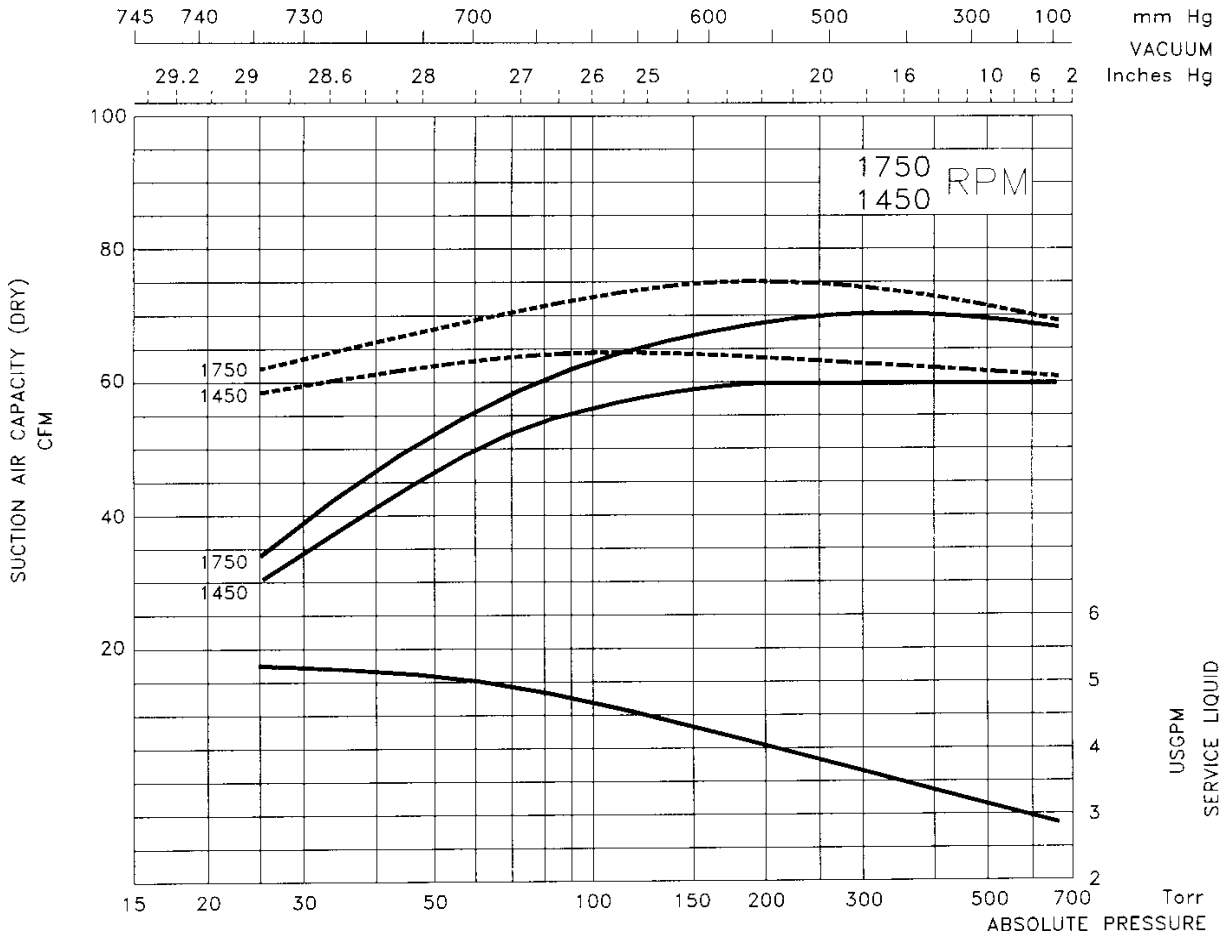
Demande de prix / e-mail : [service-commercial@motralec.com](mailto:service-commercial@motralec.com)

[www.motralec.com](http://www.motralec.com)

DATA BASED ON :  
 DRY AIR AT 68 °F - 20 °C  
 SATURATED AIR AT 68 °F - 20 °C  
 SERVICE LIQUID WATER  
 SERVICE LIQUID TEMPERATURE 59 °F - 15 °C  
 DISCHARGE PRESSURE 1013 mbar

S.S. PUMPS  
 CAPACITY : -10%  
 Tol.: 10%

PERFORMANCE DATA  
 LIQUID RING VACUUM PUMP  
 PUMP MODEL  
**TRMB/TRVB 40-110**

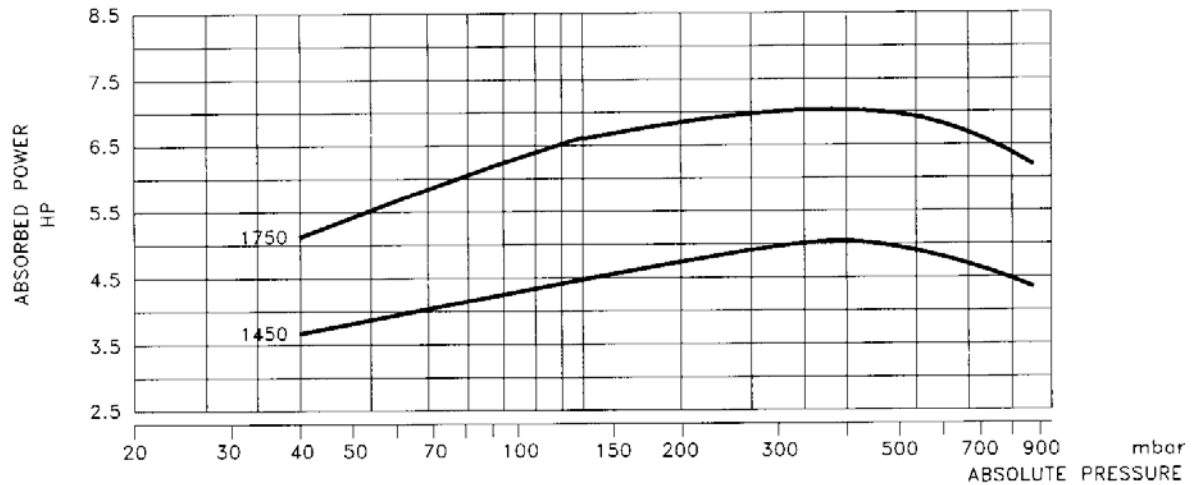
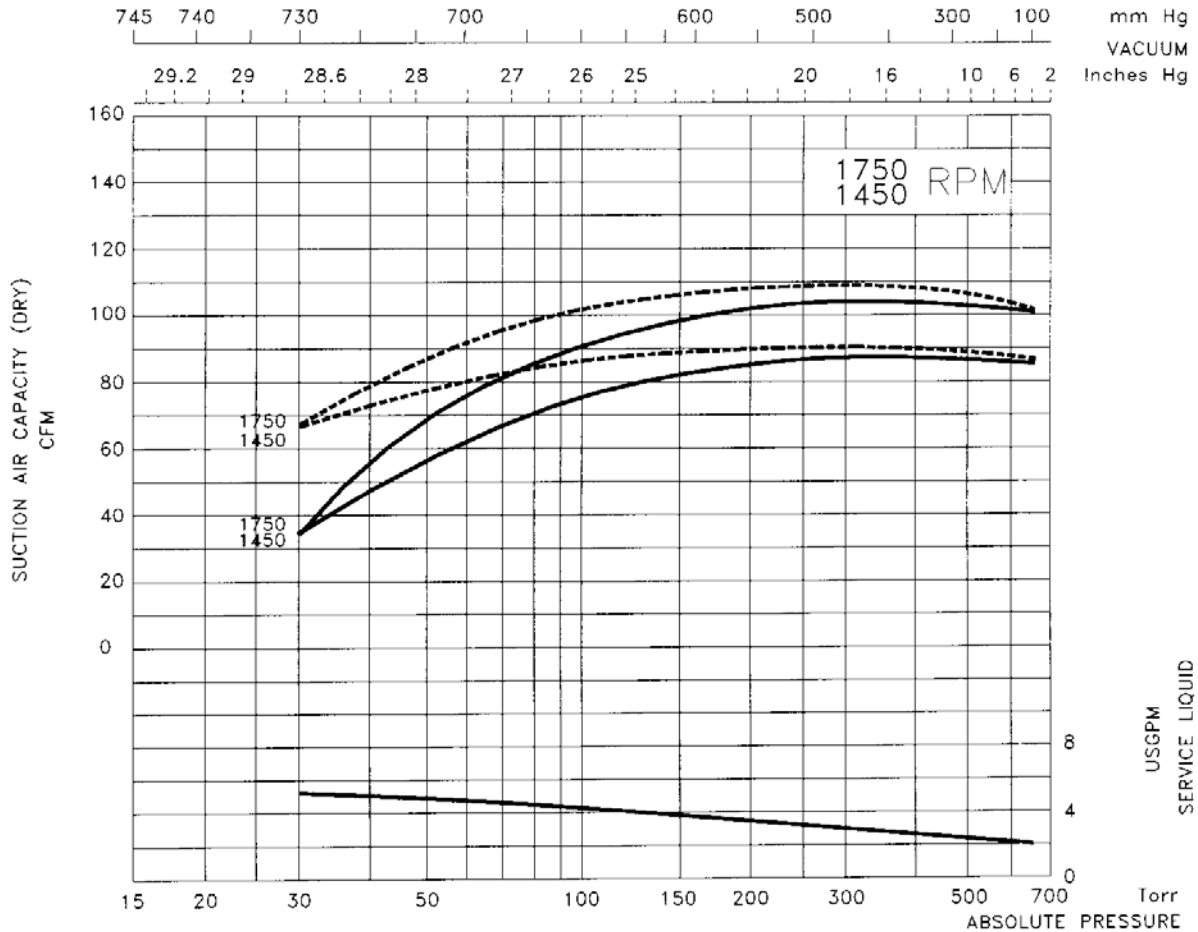


DATE: APRIL 97

DATA BASED ON :  
 DRY AIR AT 68 °F - 20 °C  
 SATURATED AIR AT 68 °F - 20 °C  
 SERVICE LIQUID WATER  
 SERVICE LIQUID TEMPERATURE 59 °F - 15 °C  
 DISCHARGE PRESSURE 1013 mbar

S.S. PUMPS  
 CAPACITY: -10%  
 Tol.: 10%

PERFORMANCE DATA  
 LIQUID RING VACUUM PUMP  
 PUMP MODEL  
**TRMB/TRVB 40-150**



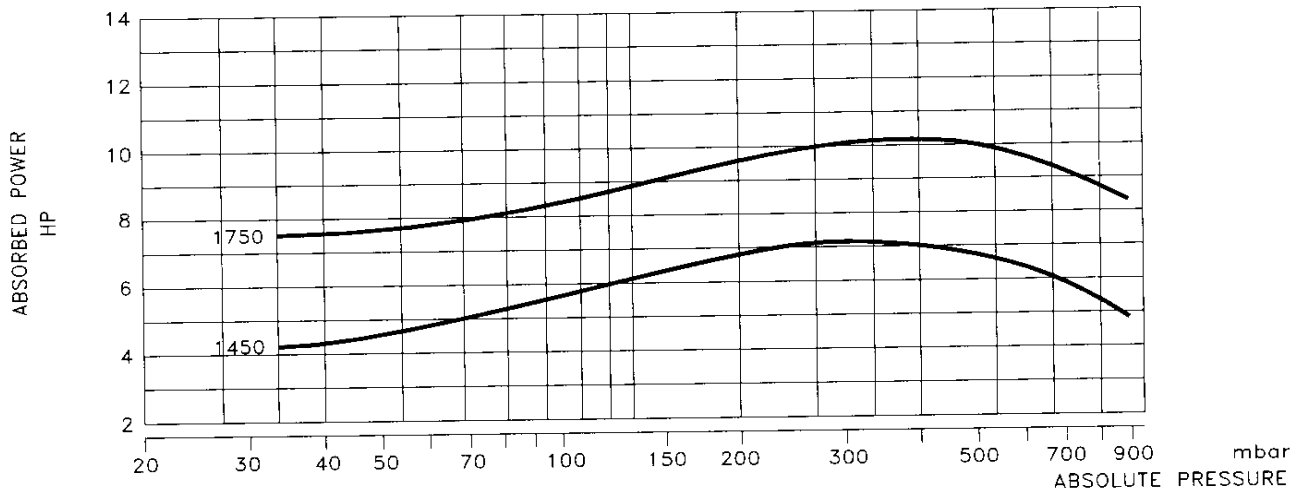
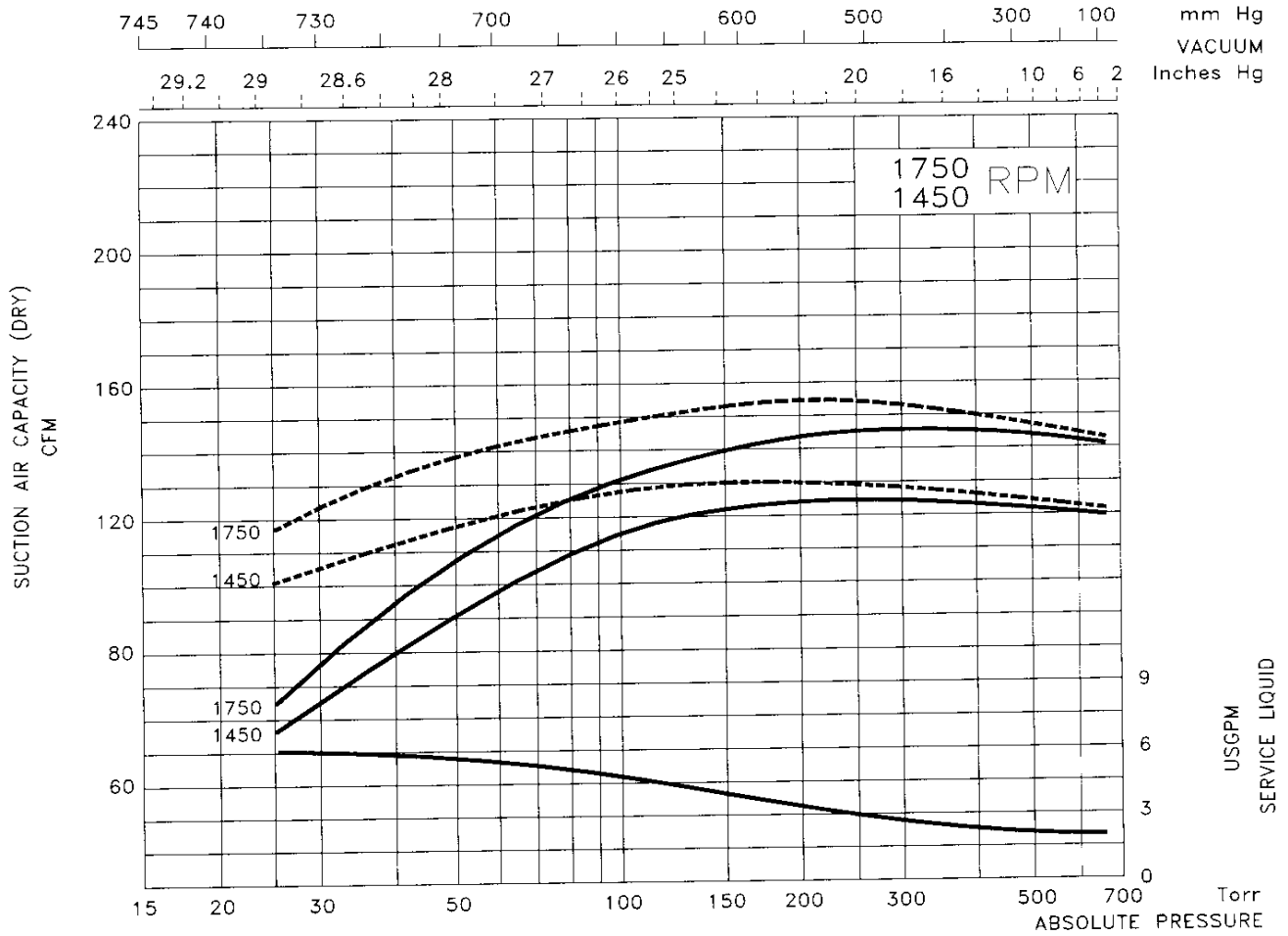
DATE: APRIL 97

DATA BASED ON :  
 DRY AIR AT 68 °F - 20 °C  
 SATURATED AIR AT 68 °F - 20 °C  
 SERVICE LIQUID WATER  
 SERVICE LIQUID TEMPERATURE 59 °F - 15 °C  
 DISCHARGE PRESSURE 1013 mbar

S.S. PUMPS  
 CAPACITY: -10%

Tol.: 10%

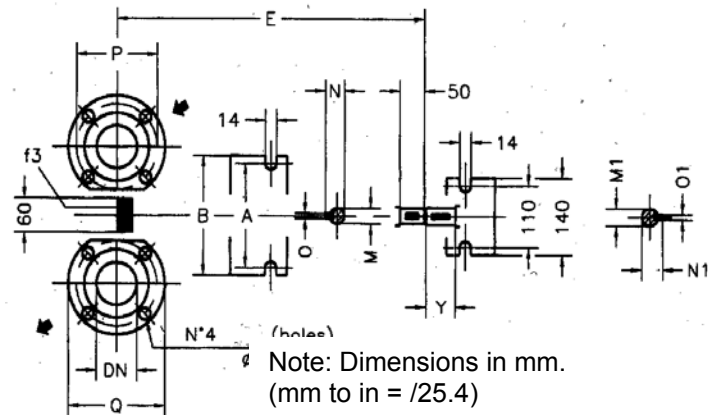
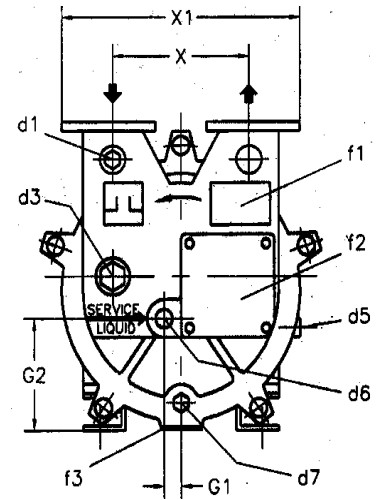
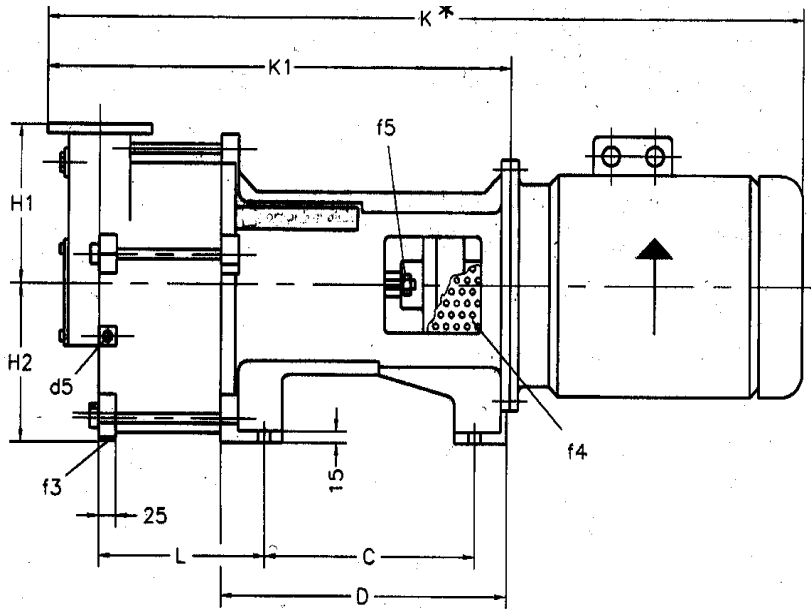
PERFORMANCE DATA  
 LIQUID RING VACUUM PUMP  
 PUMP MODEL  
**TRMB/TRVB 40-200**



DATE: APRIL 97

PAGE NO:

# TRVB 40 Overall Dimensions



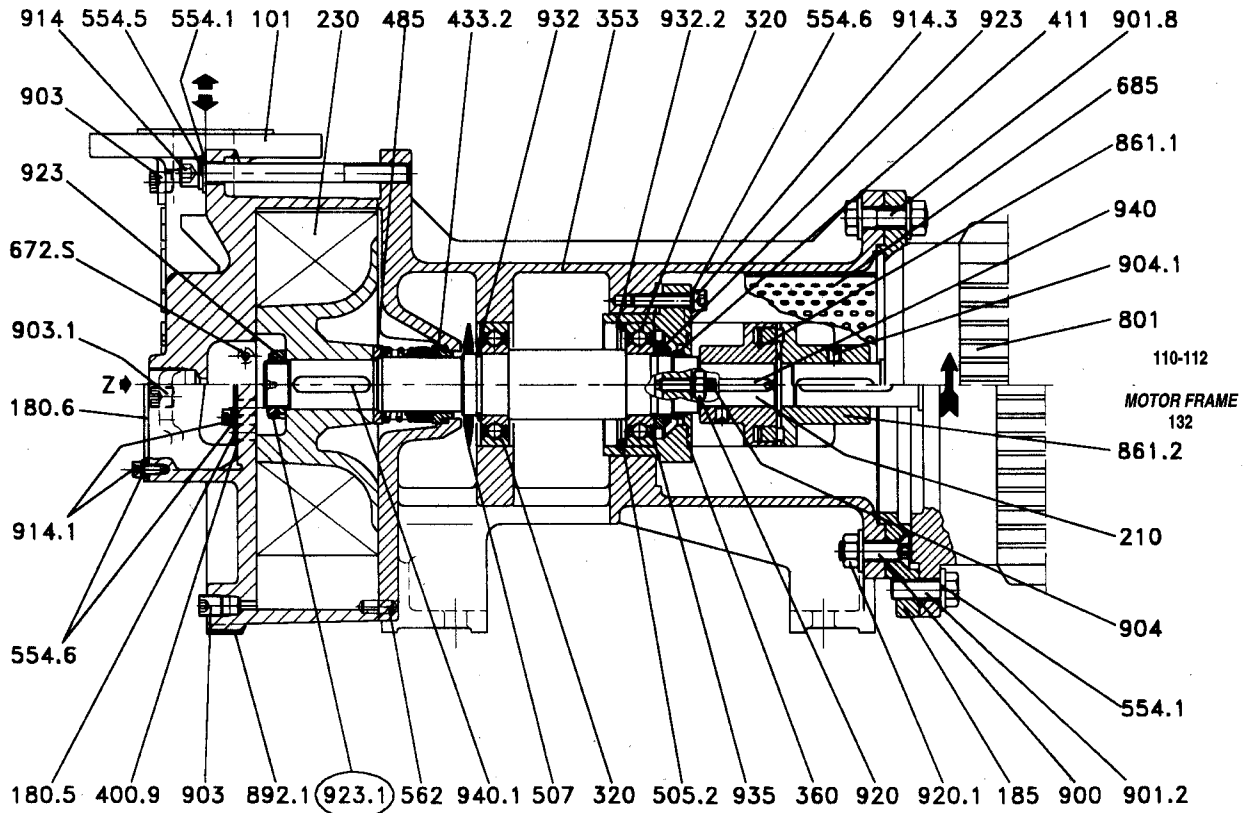
- d1 = Ø 1/4" GAS F – Vacuum gauge connection
- d3 = TRVB 40 - Ø 1/2" GAS F – Auxiliary connection
- d3 = TRVB 50 - Ø 3/4" GAS F – Auxiliary connection
- d5 = Ø 1/8" GAS - Anticavitation valve connection
- d6 = TRVB 40 - Ø 1/2" GAS F - Liquid supply inlet connection
- d7 = Ø 1/4" GAS F - Drain connection
- f1 = Pump identification plate
- f2 = Vacuum valve inspection opening
- f3 = Shock-isolating mounting
- f4 = Inner race
- f5 = Shaft axial regulation

Pump Type	4Poles Motor				Pump															Flanges			Weight lbs.										
	HP	M1	N1	O1	A	B	C	D	E*	WARNING: For A3 construction add 8 mm to evidenced quota					G1	G2	H1	H2	K*	K1*	L*	M		N	O	X	X1	Y	DN	P	Q		
TRVB 40-10/C-M	5	28	31	8	185	215	236	317	346	0	160	165	160	808	491	139	28	31	8	180	330	60	40	110	150	136							
TRVB 40-60/C-M	7.5								369																		180	180	914	536	162	80	152
TRVB 40-100/C-M	10	38	41	10					481																		180	180	1021	643	200	32	35

\* Dimensions are for reference only. Please consult factory for certified drawings.

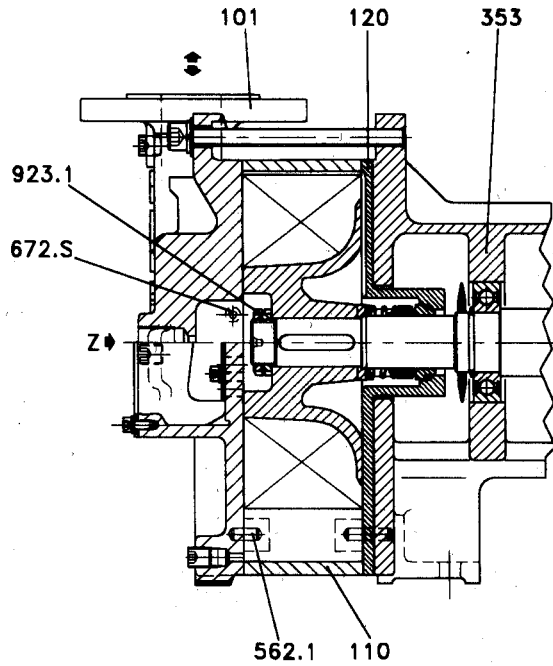
# TRVB 40-100 & 150/C-M

## Typical Cross Sections



○ Only for "RA" construction  
GH - F - RA

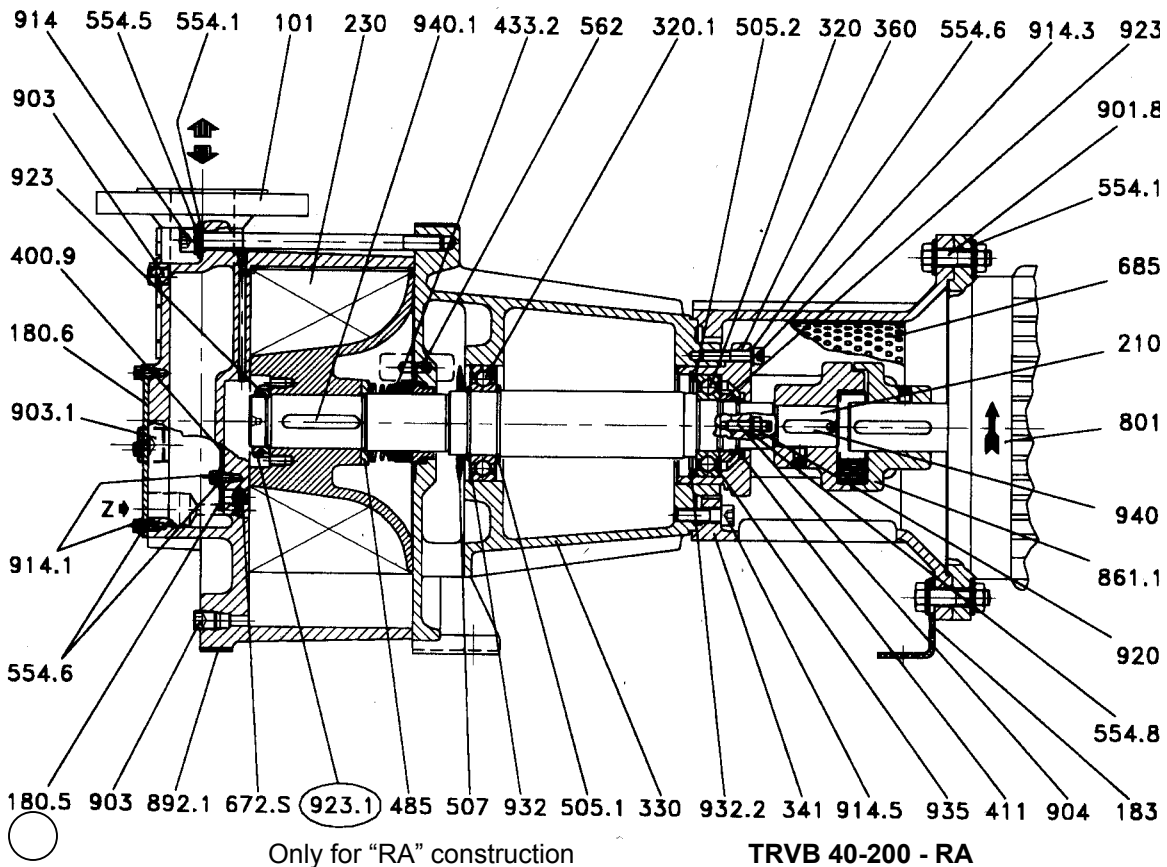
TRVB 40-110 & 150/C-M/



TRVB 40-110 & 150/C-M/A3

# TRVB 40-200

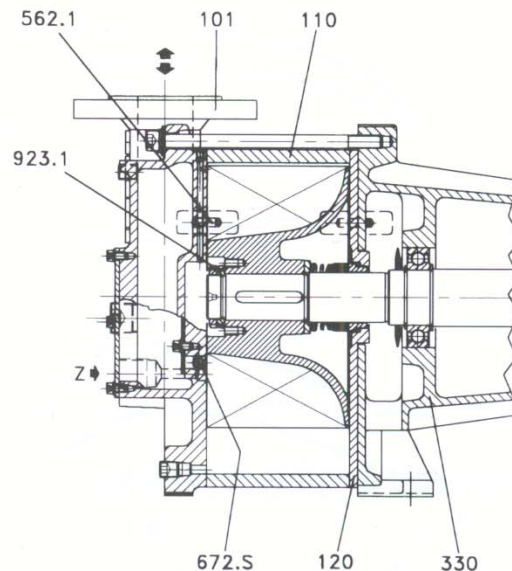
## Typical Cross Sections



### COMPONENTS

VDMA No	DESIGNATION	VDMA No	DESIGNATION
101	Suc. / disch. casing	685	Inner race
110	Impeller casing (A3 constr.)	801	Electric motor
120	Rear plate (A3 constr.)	861.1	Elastic half-coupling
180.5	Valve plate	861.2	Elastic half-coupling
180.6	Closing plate	892.1	Shock-isolating mounting
183	Support foot	900	Screw
185	Motor flange	901.2	Screw
• 210	Shaft	901.8	Bolt
• 230	Impeller	903	Plug
• 320	Ball bearing	903.1	Plug
• 330	Bearing housing	904	Grub screw
341	Motor lantern	904.1	Grub screw
353	Bearing housing	914	Screw
360	Regulation cover	914.1	Screw
• 400.9	Plane valve	914.3	Screw
• 411	V-Ring	914.5	Screw
• 433.2	Mechanical seal c.w.	920	Nut
485	Mech. seal shoulder ring	920.1	Nut
• 505.1	Shoulder ring	922	Nut (RA - A3 constr.)
• 505.2	Shoulder ring	923	Nut
507	Thrower	923.1	Nut
554.1	Washer	932	Circlip
554.5	Washer	932.2	Circlip
554.6	Washer	935	Elastic ring
554.8	Washer	940	Key
562	Cylinder pin	940.1	Key
562.1	Cylinder pin (A3 constr.)	Z	Liquid supply inlet
672.S	Anticav. valve group		

• = Recommended spare parts



TRVB 40-200

**motralec**

4 rue Lavoisier . ZA Lavoisier . 95223 HERBLAY CEDEX

Tel. : 01.39.97.65.10 / Fax. : 01.39.97.68.48

Demande de prix / e-mail : [service-commercial@motralec.com](mailto:service-commercial@motralec.com)

[www.motralec.com](http://www.motralec.com)