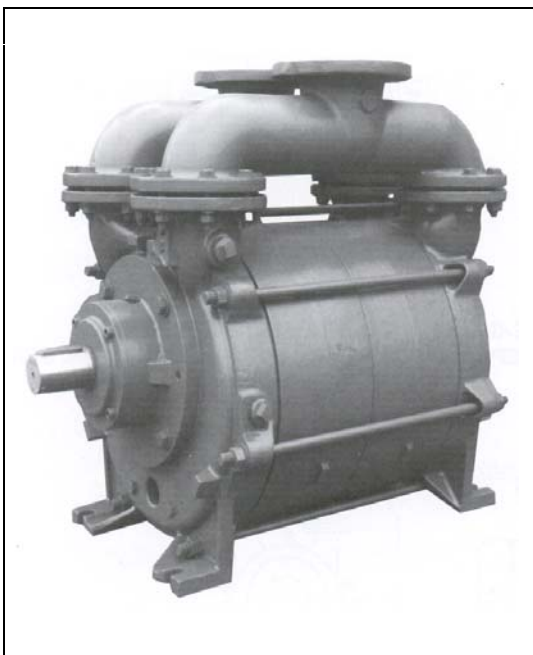


# TRAVAINI PUMPS USA

## TRSE 125

### Single Stage Medium Vacuum Pumps

PERFORMANCE DATA	: From 150 Torr	CAPACITY:	500 - 1100 cfm
FEATURES	: Single-stage rotating pump with externally located bearings grease lubricated.		
SHAFT SEALING	: Mechanical seal - Double mechanical seal – Packing seal.		
OPTIONS	: Bareshaft pump - Coupled to electric motor on baseplate.		



TECHNICAL DATA					
PUMP TYPE		TRSE 125-1250		TRSE 125-1550	
Speed	RPM	960	1150	960	1150
Motor - installed power	HP	50	60	60	100
Average service liquid flow	GPM	24	24	26	26
Noise level at 189 Torr	dB(A)	79	82	79	82
Minimum suction pressure	Torr	150	150	150	150

Pumps are provided with threaded connections for service liquid, pump draining, grease and anticavitation valve and companion Flanges. Pumps are also provided, by request, with auxiliary threaded connections, flanged air-liquid separator tank, non return valve, ejector, vacuum relief valve, flow valve to control the flow of the liquid supply, vacuum gauges, pressure gauges and compound gauges. We can also provide information on our water sealed and oil sealed systems. For more detailed information please contact our Sales Office.

Example for Model Designation		Standard Materials of Construction					
<u>T R S E 125 - 1550 / C / GH</u>		Part No.	Description	GH	F	RA	A3
<b>T</b>	Travaini Pump USA construction	106	Suction casing	Cast Iron			
<b>R</b>	Liquid Ring Pump	107	Discharge casing				
<b>S</b>	Single stage pump for medium vacuum	110	Impeller housing				
<b>E</b>	Design number	210	Shaft	Stainless Steel AISI 420		Stainless Steel AISI 316	
<b>125</b>	Flange size (mm)	147	Manifold	Steel			
<b>1550</b>	Nominal capacity (m <sup>3</sup> /h)	357	Bearing housing mech. seal	Cast Iron			
<b>C</b>	Shaft sealing C = Mechanical seal C2 = Double mechanical seal B = Packing seal	230	Impeller	Bronze	Ductile Iron	Stainless Steel AISI 316	
<b>GH</b>	Materials of construction GH-F-RA-A3 = See table	Special Materials Available Upon Request					

Indicative table: for further information please consult our Sales Office

**motralec**

4 rue Lavoisier . ZA Lavoisier . 95223 HERBLAY CEDEX

Tel. : 01.39.97.65.10 / Fax. : 01.39.97.68.48

Demande de prix / e-mail : [service-commercial@motralec.com](mailto:service-commercial@motralec.com)

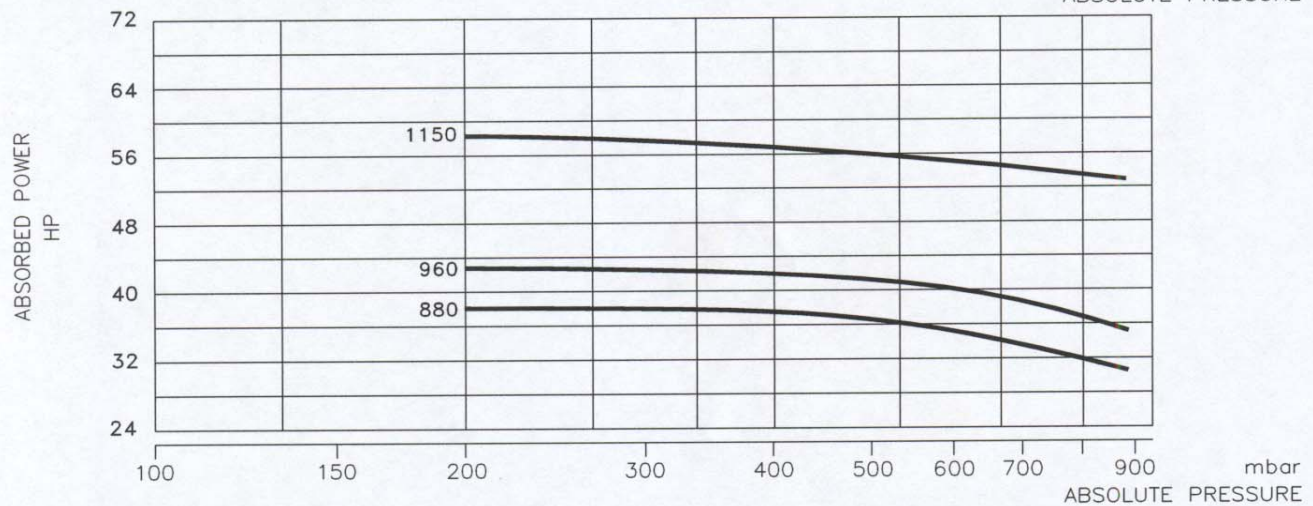
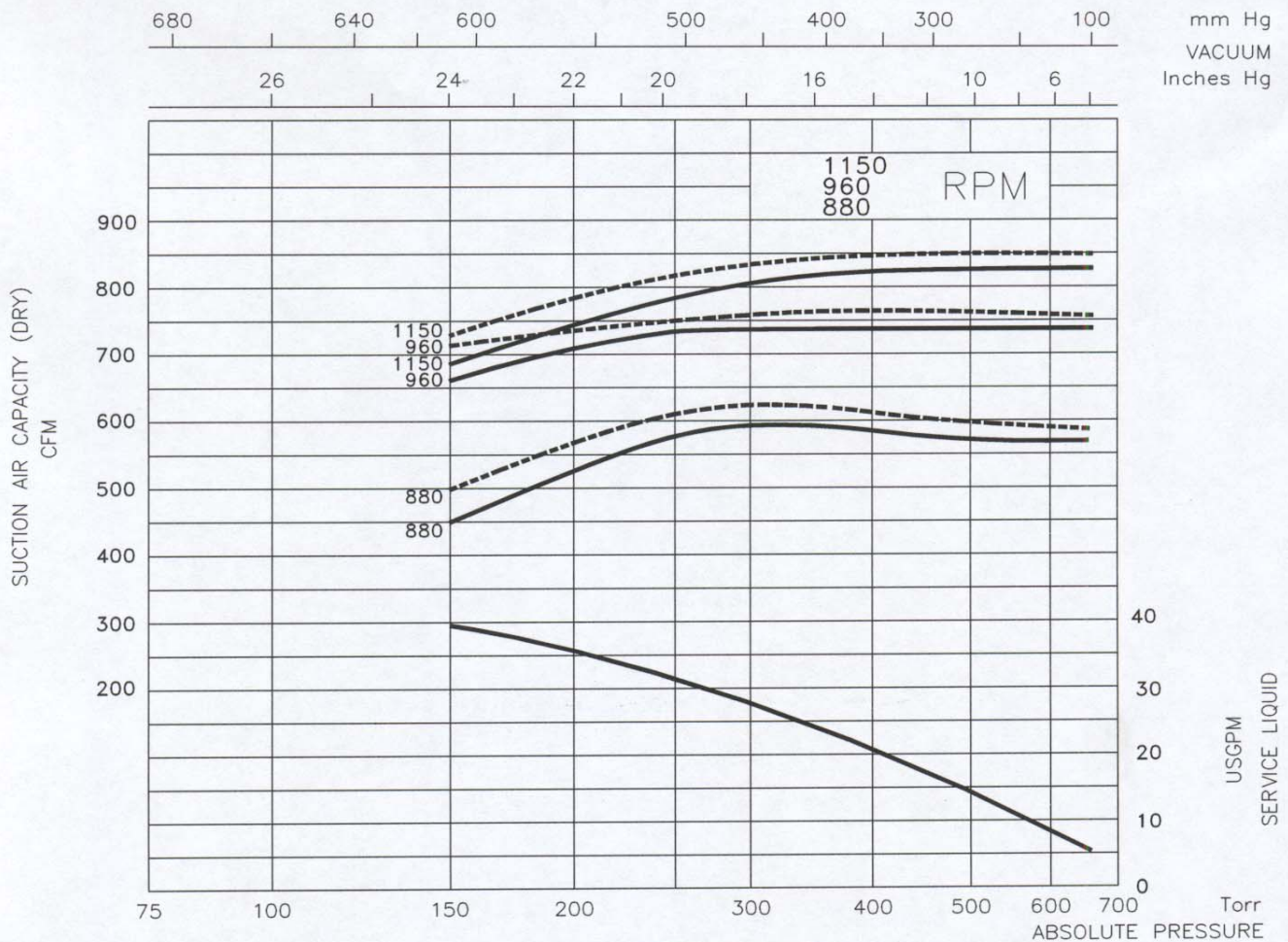
[www.motralec.com](http://www.motralec.com)

DATA BASED ON :  
 DRY AIR AT 68 °F - 20 °C  
 SATURATED AIR AT 68 °F - 20 °C  
 SERVICE LIQUID WATER  
 SERVICE LIQUID TEMPERATURE 59 °F - 15 °C  
 DISCHARGE PRESSURE 1013 mbar

S.S. PUMPS  
 CAPACITY : -10%

Tol.: 10%

PERFORMANCE DATA  
 LIQUID RING VACUUM PUMP  
 PUMP MODEL  
**TRSE 125-1250**



DATE: APRIL 97

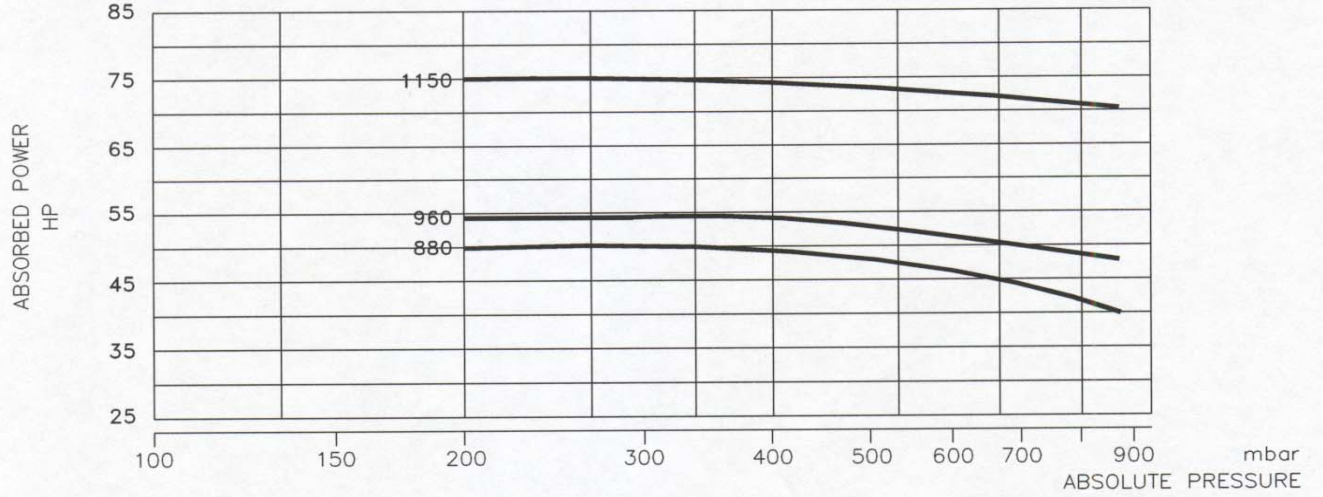
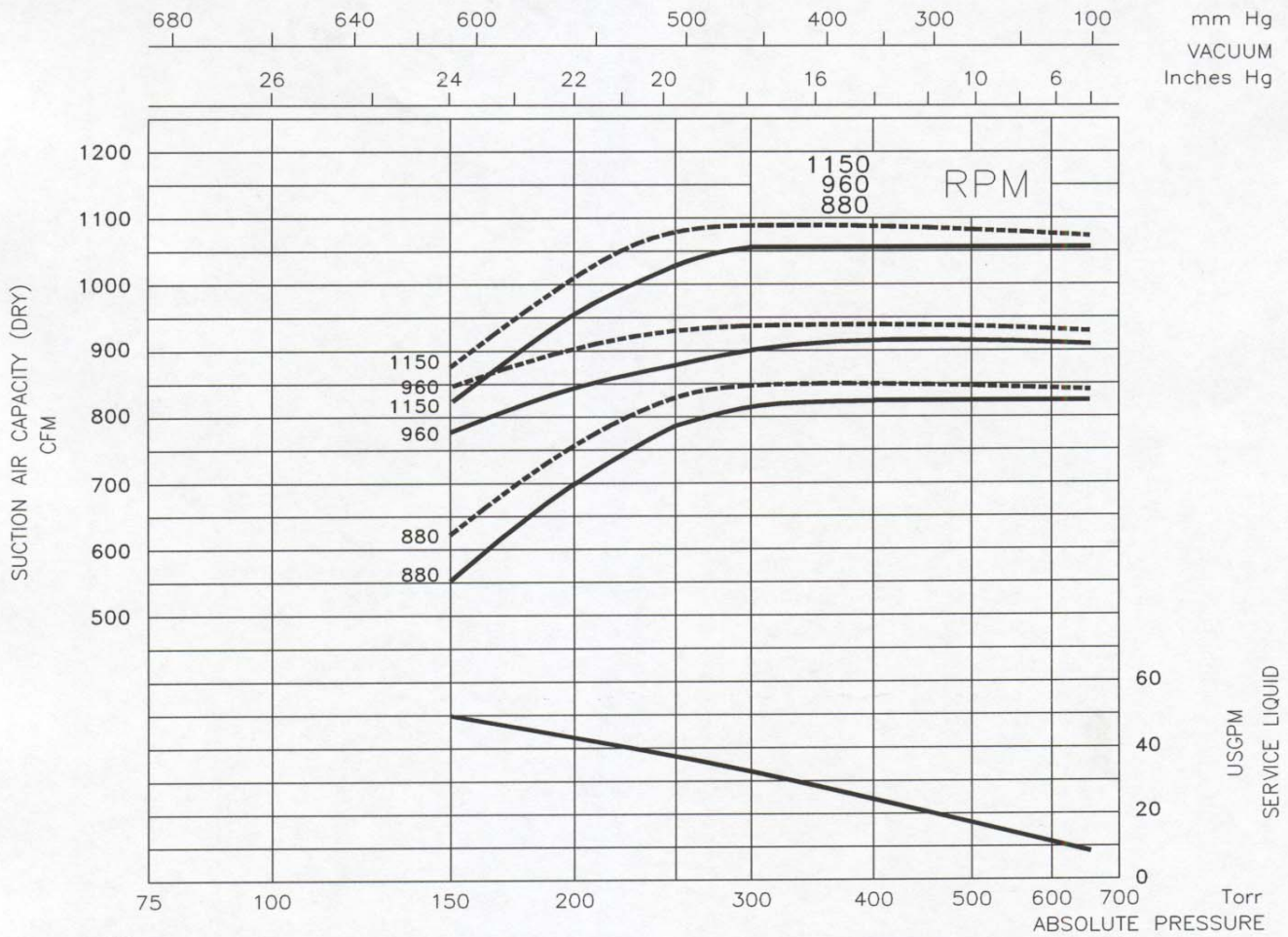
PAGE NO: 3-150

DATA BASED ON :  
 DRY AIR AT 68 °F - 20 °C  
 SATURATED AIR AT 68 °F - 20 °C  
 SERVICE LIQUID WATER  
 SERVICE LIQUID TEMPERATURE 59 °F - 15 °C  
 DISCHARGE PRESSURE 1013 mbar

S.S. PUMPS  
 CAPACITY : -10%

PERFORMANCE DATA  
 LIQUID RING VACUUM PUMP  
 PUMP MODEL  
**TRSE 125-1550**

Tol.: 10%

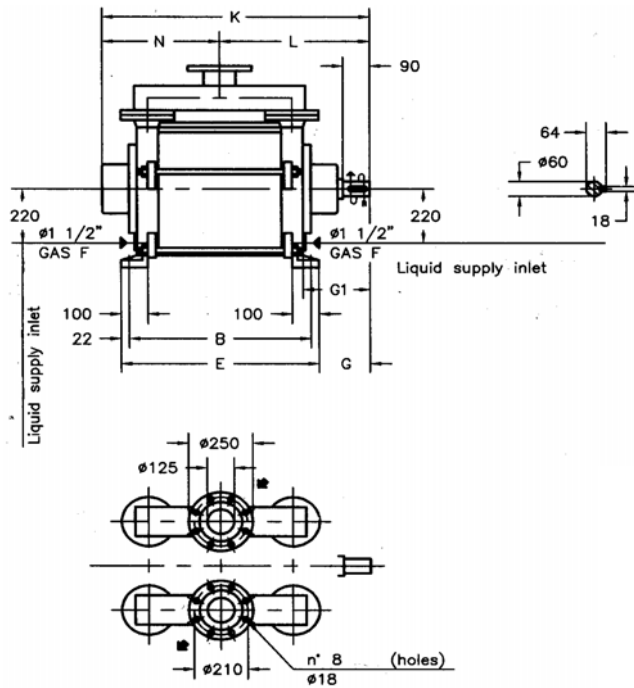


DATE: APRIL 97

PAGE NO:

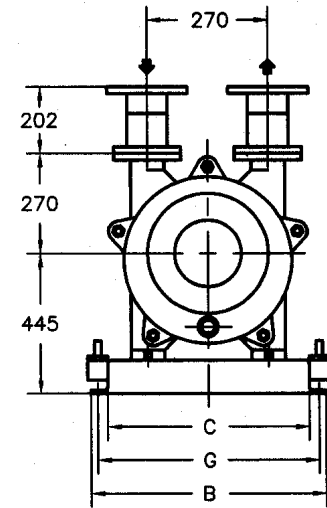
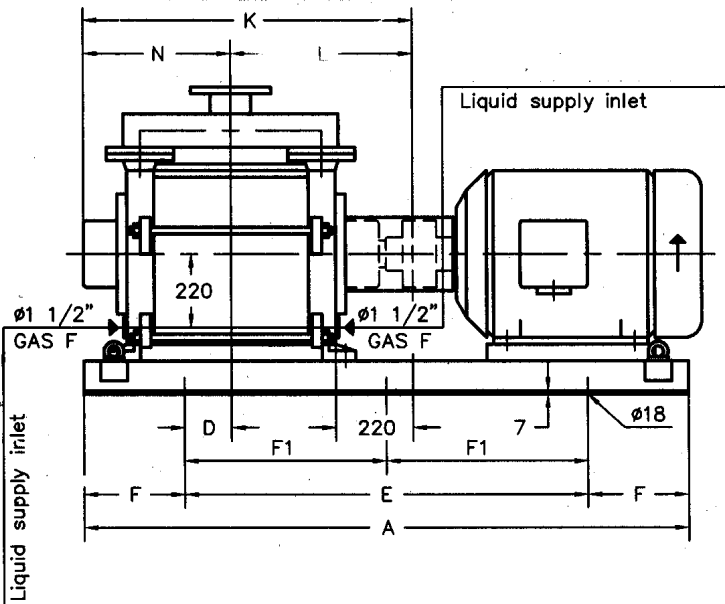
# TRSE 125/C

## Bareshaft Construction with Mechanical Seal



Pump Type	B	E	K	L	N	Weight lbs.
TRSE 125-1250/C	601	645	847	482	365	959
TRSE 125-1550/C	701	745	947	532	415	1016

## Base-Mounted Construction (Baseplate-Coupling) with Mechanical Seal



Note: Dimensions in mm.  
(mm to in = /25.4)

Pump Type	6 Poles Motor HP	Base-plate	Pump									Weight <sup>1</sup> lbs.						
			A	B	C	D	E	F	F1	G	L		N					
TRSE 125-1250/C	40	034	1700	590	450	220	1100	300	-	540	482	365	1318					
	50	042	1800	640	500		1400	200	700	590			1311					
	60					320							1338					
TRSE 125-1550/C	60	039	2150	680	540	360	1600	275	800	630	532	415	1395					
	75																	
	100																	

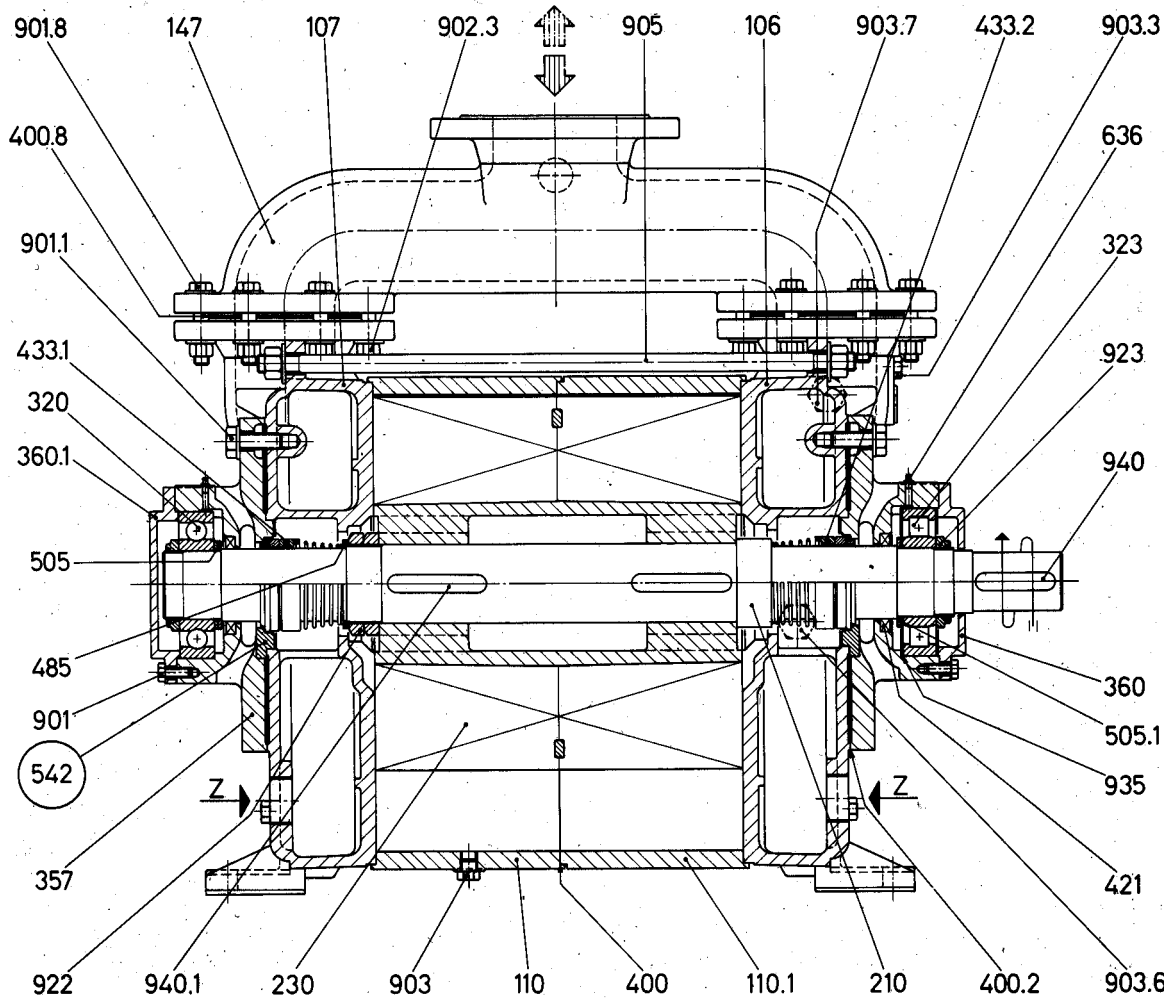
<sup>1</sup> Weight without motor

Dimensions for reference only  
Please consult factory for certified drawings.

The weights refer to GH construction

# TRSE 125- 1250/C, 1550/C

## Typical Cross Section with Mechanical Seal



### COMPONENTS

VDMA No	DESIGNATION	VDMA No	DESIGNATION	VDMA No	DESIGNATION
106	Suction casing	• 400.2	Gasket	901.8	Bolt
107	Discharge casing	• 400.8	Gasket	902.3	Stud
110	Impeller casing	• 421	Radial seal ring	903	Plug
110.1	Impeller casing	• 433.1	Mechanical seal c.c.w.	903.3	Plug
147	Manifold	• 433.2	Mechanical seal c.w.	903.6	Plug
• 210	Shaft	485	Mech. seal locking ring	903.7	Plug
• 230	Impeller	• 505	Shoulder ring	905	Tie-bolt
• 320	Ball bearing	• 505.1	Shoulder ring	922	Nut
• 323	Roller bearing	542	Seal bush (A3 construction only)	923	Nut
357	Bearing and mech. seal hous.	636	Grease nipple	935	Elastic ring
360	Bearing cover	901	Screw	940	Key
• 360.1	Bearing cover	901.1	Screw	940.1	Key
• 400	Gasket			Z	Liquid supply inlet

○ = A3 construction only

• = Recommended spare parts