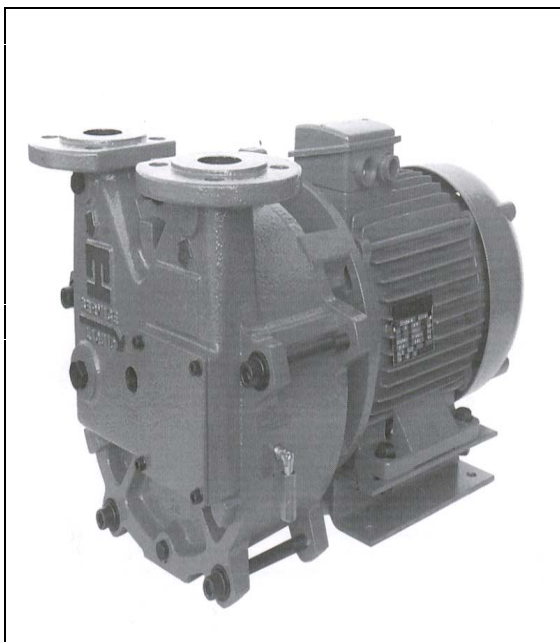


TRAVAINI PUMPS USA

TRMB 40

Single Stage Medium/High Vacuum Pumps

PERFORMANCE DATA	: From 25 Torr	CAPACITY:	40 – 150 cfm
FEATURES	: Single-stage rotating pump with electric motor ball bearings grease lubricated.		
SHAFT SEALING	: Mechanical seal		
OPTIONS	: Direct monoblock with electric motors.		



TECHNICAL DATA							
PUMP TYPE		TRMB 40-110		TRMB 40-150		TRMB 40-200	
Speed	RPM	1450	1750	1450	1750	1450	1750
Motor - installed power	HP	4	5	5	7.5	7	10
Average service liquid flow	GPM	5	5	5	5	5	5
Noise level at 60 Torr	dB(A)	68	68	69	69	72	72
Minimum suction pressure	Torr	25	25	25	25	25	25

Pumps are provided with threaded connections for service liquid, pump draining, anticavitation valve.
Pumps are also provided, by request, with auxiliary threaded connections, companion flanges, flanged air-liquid separator tank, non return valve, vacuum relief valve, valve to control the flow of the liquid supply, vacuum gauges, pressure gauges and compound gauges. We can also provided information on our water sealed and oil sealed systems.
For more detailed information please contact our Sales Office.

Example for Model Designation	
<u>T R M B 40 - 200 / GH</u>	
T	Travaini Pump USA construction
R	Liquid Ring Pump
M	Single stage pump with valves for medium and high vacuum – direct monoblock
B	Design number
40	Flange size (mm)
200	Nominal capacity (m ³ /h)
GH	Materials of construction GH-RA-A3 = See table

Standard Materials of Construction					
Part No.	Description	GH	F	RA	A3
101	Suction/ Discharge casing	Cast Iron			Stainless Steel AISI 316
120	Rear casing	Cast Iron			
230	Impeller	Bronze	Ductile Iron		

Special Materials Available Upon Request

Indicative table: for further information please consult our Sales Office

motralec

4 rue Lavoisier . ZA Lavoisier . 95223 HERBLAY CEDEX

Tel. : 01.39.97.65.10 / Fax. : 01.39.97.68.48

Demande de prix / e-mail : service-commercial@motralec.com

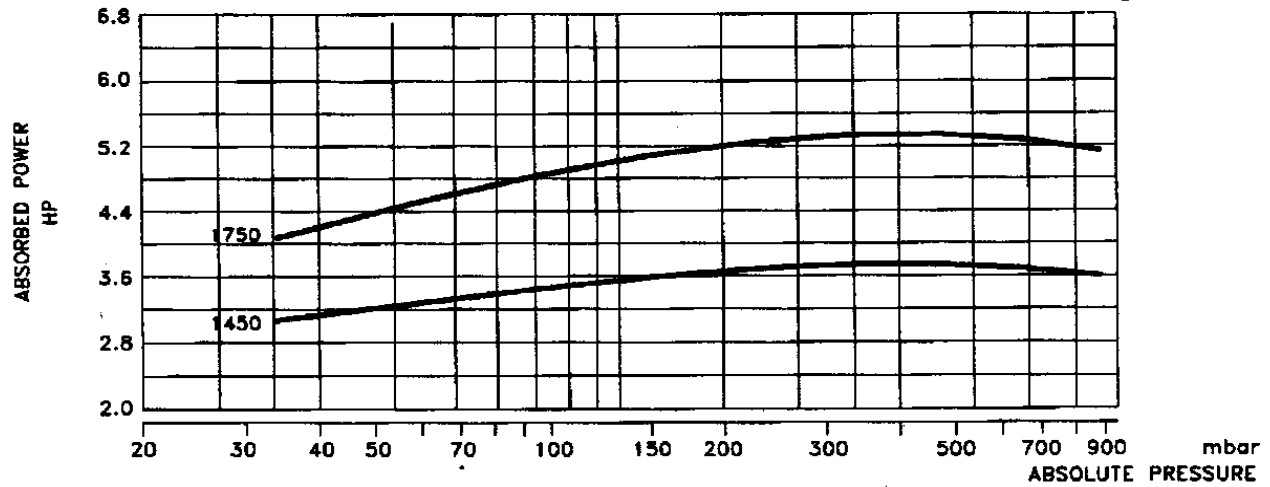
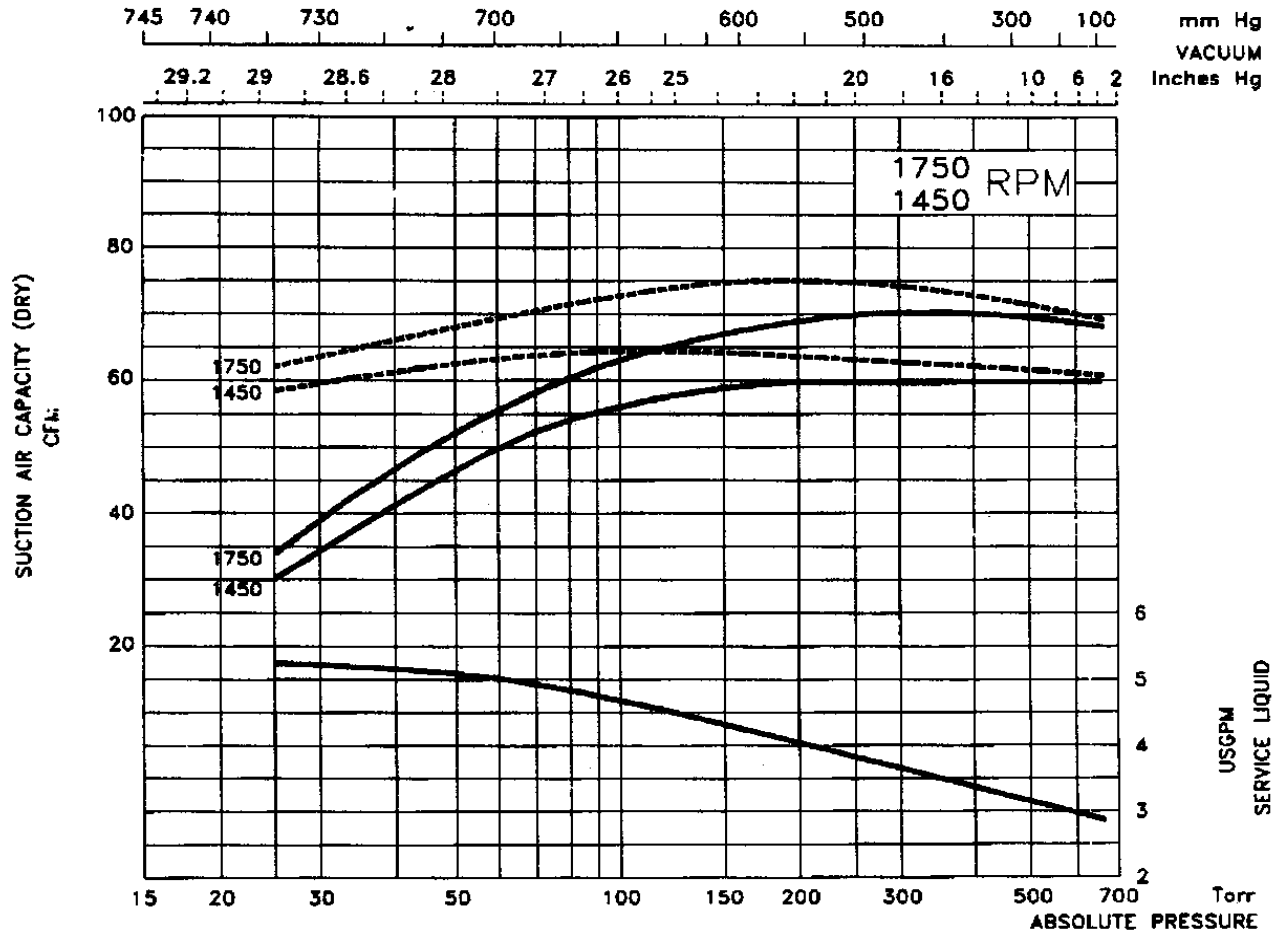
www.motralec.com

DATA BASED ON :
 DRY AIR AT 68 °F - 20 °C
 SATURATED AIR AT 68 °F - 20 °C
 SERVICE LIQUID WATER
 SERVICE LIQUID TEMPERATURE 59 °F - 15 °C
 DISCHARGE PRESSURE 1013 mbar

S.S. PUMPS
 CAPACITY: -10%

Tol.: 10%

PERFORMANCE DATA
 LIQUID RING VACUUM PUMP
 PUMP MODEL
TRMB/TRVB 40-110

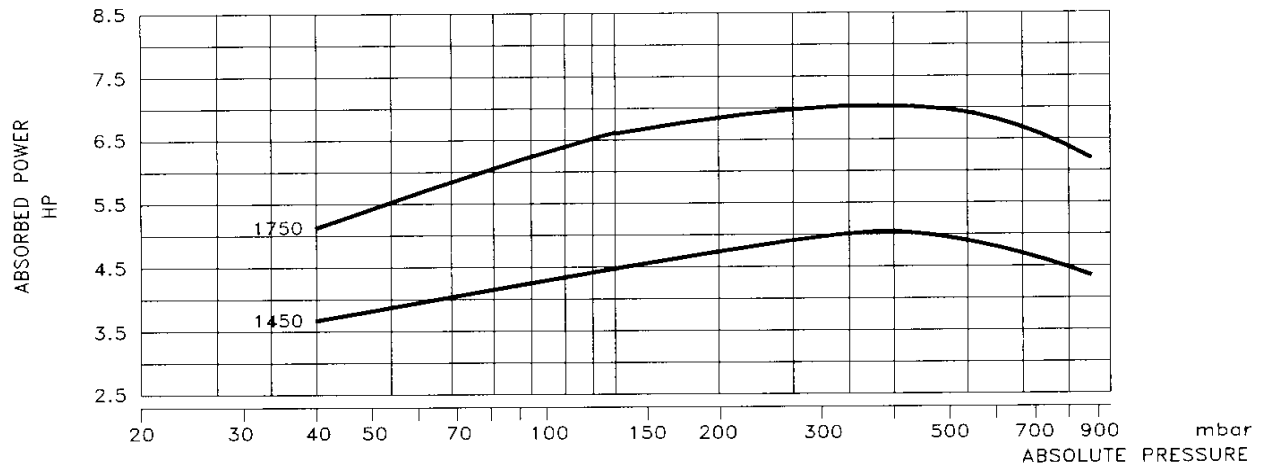
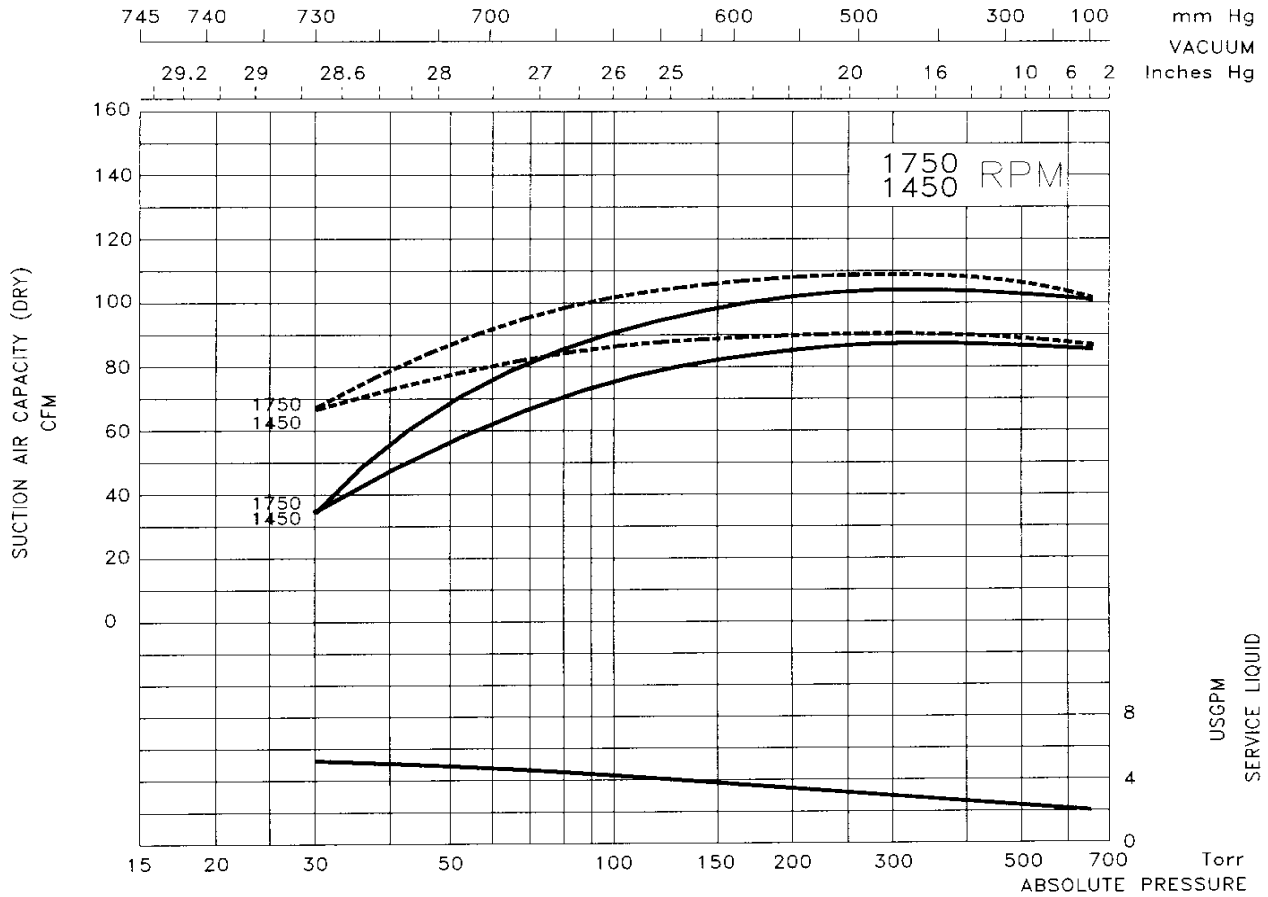


DATA BASED ON :
 DRY AIR AT 68 °F - 20 °C
 SATURATED AIR AT 68 °F - 20 °C
 SERVICE LIQUID WATER
 SERVICE LIQUID TEMPERATURE 59 °F - 15 °C
 DISCHARGE PRESSURE 1013 mbar

S.S. PUMPS
 CAPACITY: -10%

Tol.: 10%

PERFORMANCE DATA
 LIQUID RING VACUUM PUMP
 PUMP MODEL
TRMB/TRVB 40-150

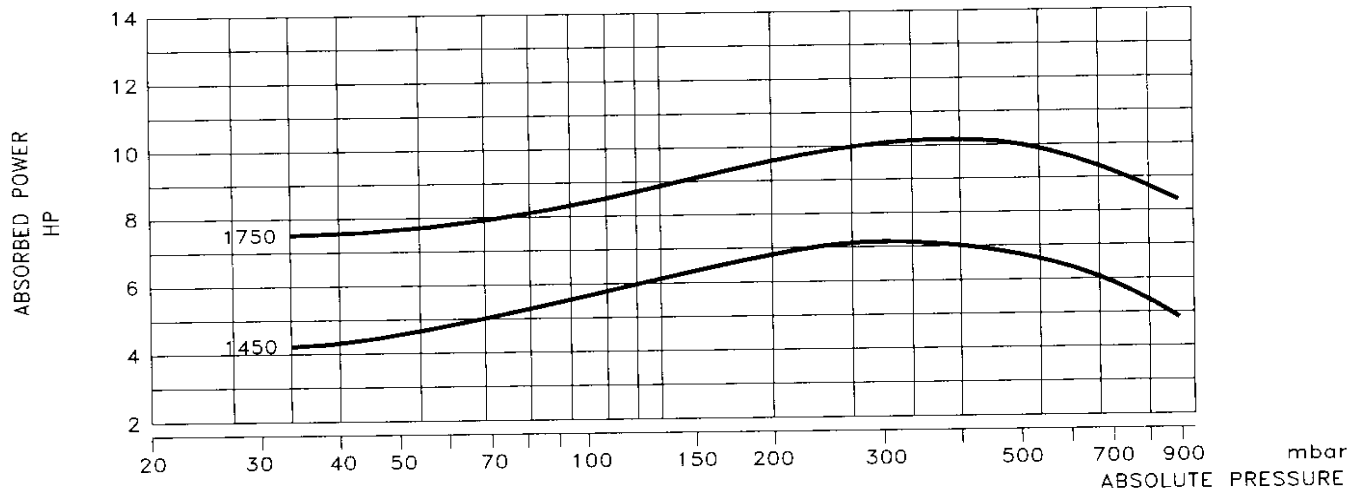
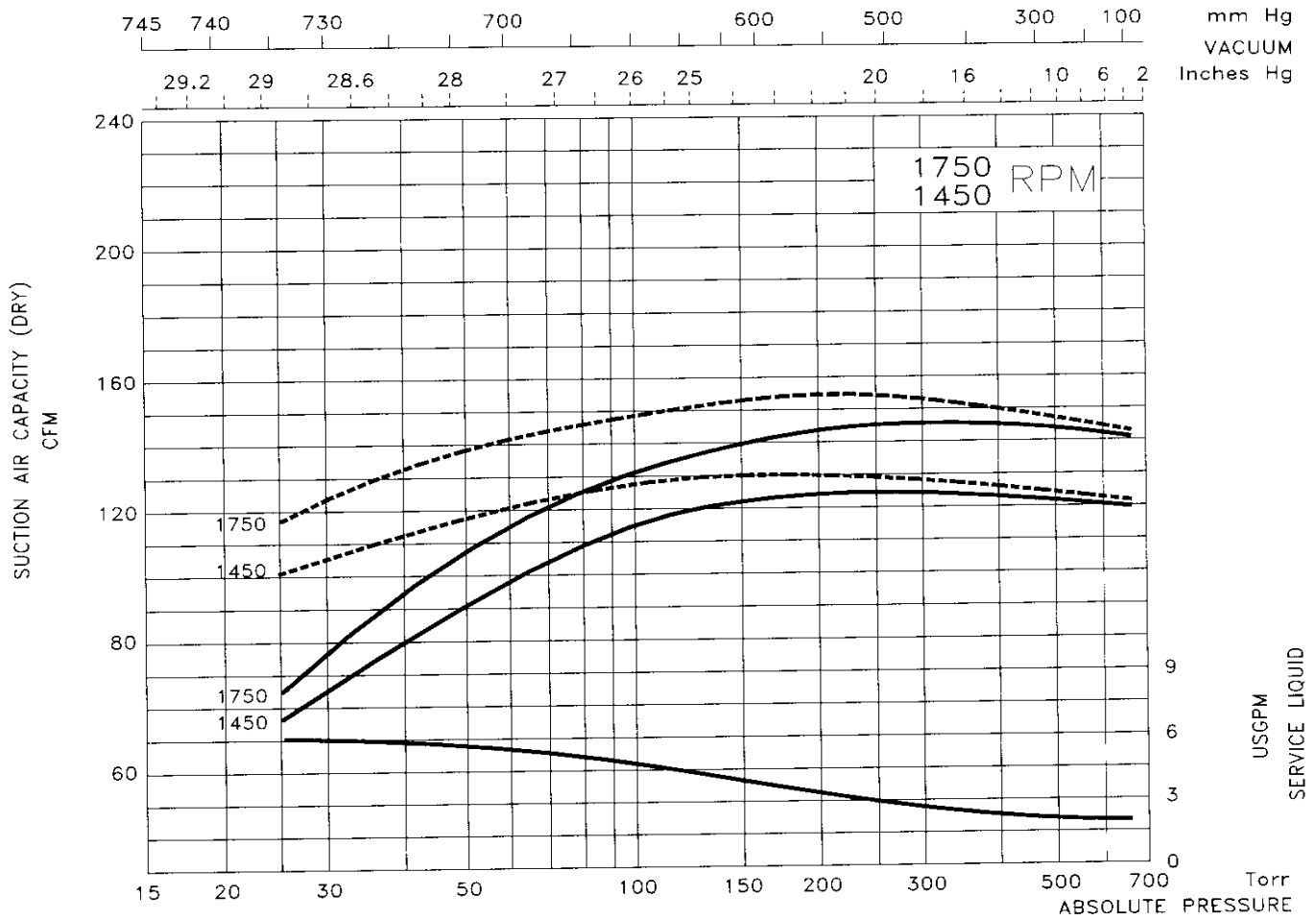


DATA BASED ON :
 DRY AIR AT 68 °F - 20 °C
 SATURATED AIR AT 68 °F - 20 °C
 SERVICE LIQUID WATER
 SERVICE LIQUID TEMPERATURE 59 °F - 15 °C
 DISCHARGE PRESSURE 1013 mbar

S.S. PUMPS
 CAPACITY: -10%

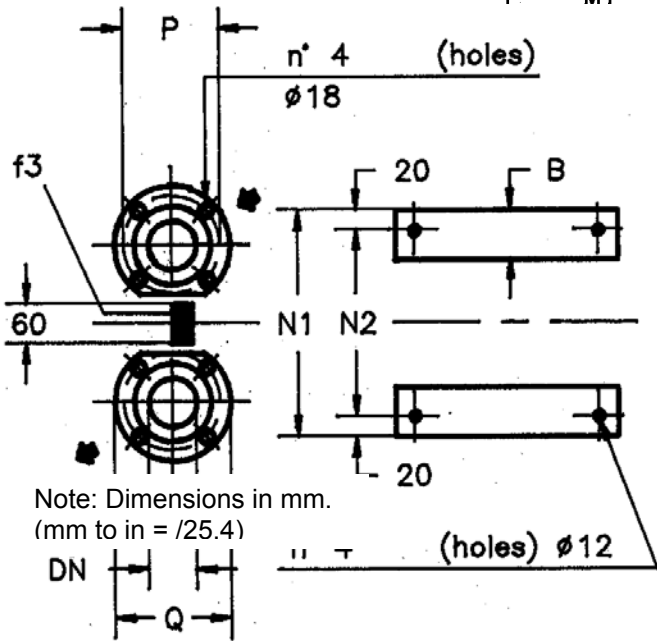
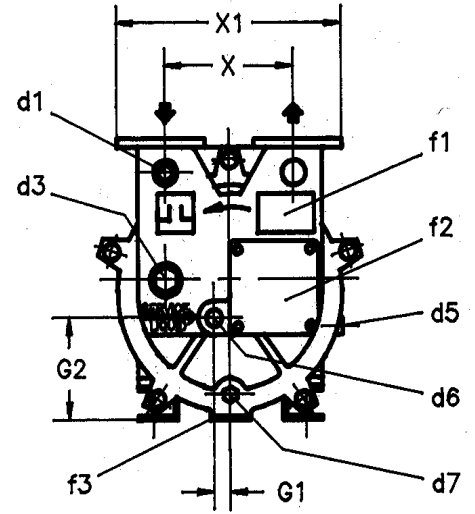
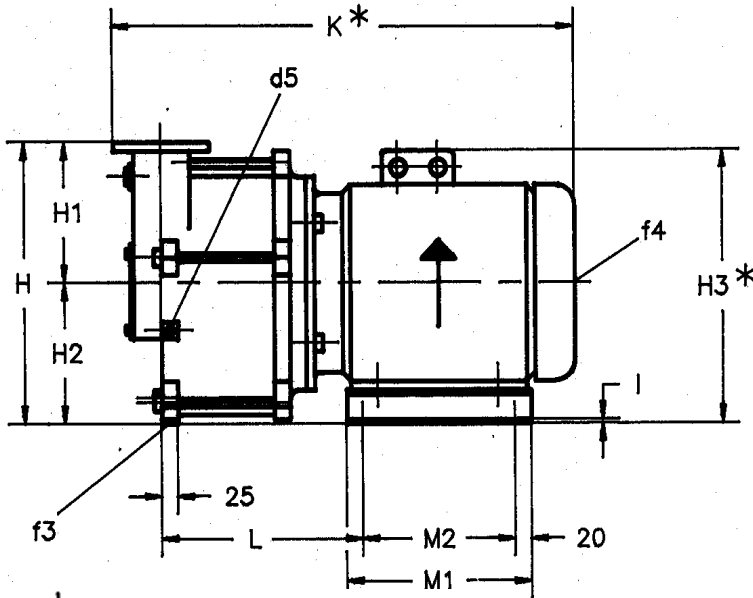
Tol.: 10%

PERFORMANCE DATA
 LIQUID RING VACUUM PUMP
 PUMP MODEL
TRMB/TRVB 40-200



TRMB 40

Overall Dimensions



- d1 = Ø 1/4" GAS F – Vacuum gauge connection
- d3 = TRMB 40 – Ø 1/2" GAS F – Auxiliary connection
- d3 = TRMB 50 – Ø 3/4" GAS F – Auxiliary connection
- d5 = Ø 1/8" GAS F - Anticavitation valve connection
- d6 = TRMB 40 – Ø 1/2" GAS F – Liquid supply inlet connection
- d7 = Ø 1/4" GAS F – Drain connection
- f1 = Pump identification plate
- f2 = Vacuum valve inspection opening
- f3 = Shock-isolating mounting
- f4 = Threaded hole for motor shaft rotation checking

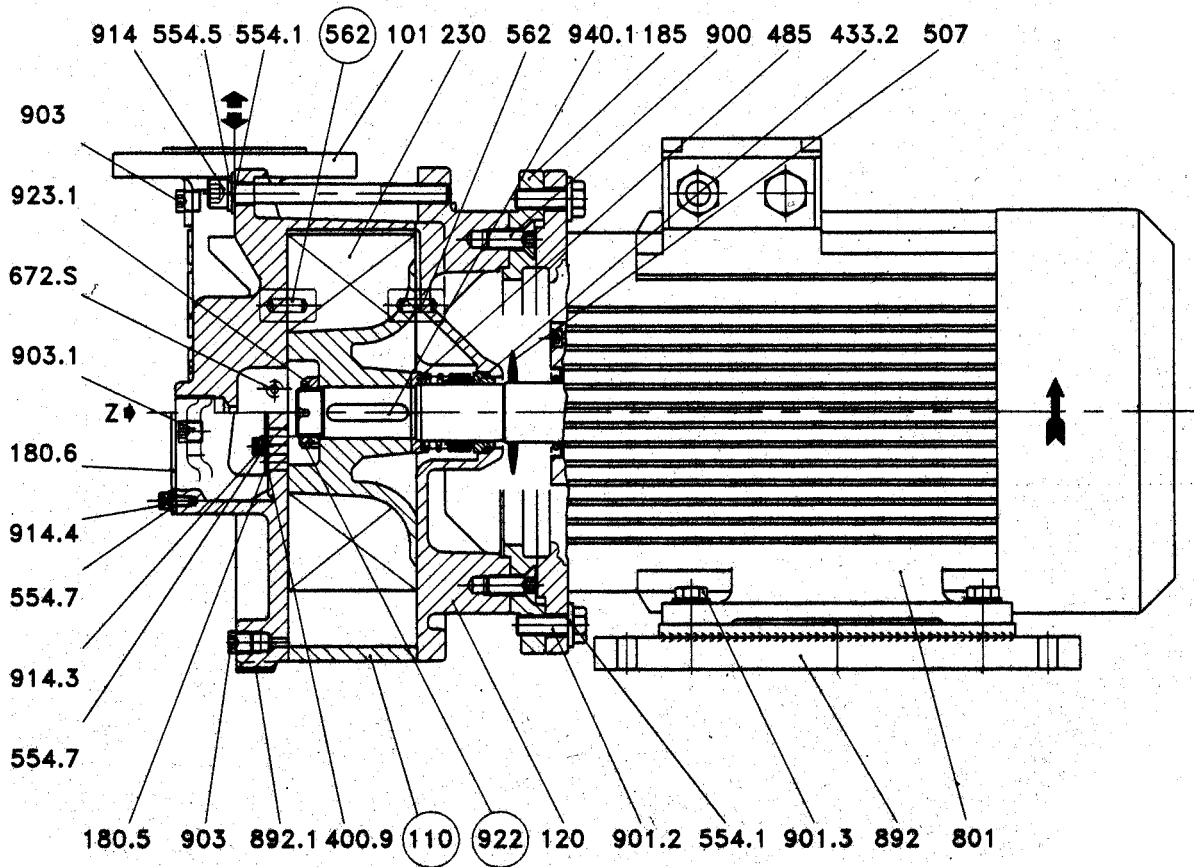
Pump Type	4 Pole Mot or HP	Pump															Flanges			Wt lbs.*	
		B	G 1	G2	H	H1	H2	H3*	I	K*	L	M1	M2	N1	N2	X	X1	D N	P		Q
RMB 40-110	5	60					325	5	565	190	228	188	230	190							156
RMB 40-150	7.5	80	0	160	325		160	355	20	690	245	300	260			180	330	40	110	150	233
RMB 40-200	10	60		180	345		180	375	5	684	278	228	188	256	216						244

• Dimensions are for reference only. Please consult factory for certified drawings.

The weights are referred to GH construction.

TRMB 40

Typical Cross Section



COMPONENTS

VDMA No	DESIGNATION	VDMA No	DESIGNATION
101	Suc./dis. casing	801	Electric motor
110	Impeller casing (A3 construction only)	892	Motor foot
120	Rear casing	892.1	Shock-isolating mounting
180.5	Valve plate	900	Screw
180.6	Closing plate	901.2	Screw
185	Clampring	901.3	Screw
• 230	Impeller	903	Plug
• 400.9	Plane valve	903.1	Plug
• 433.2	Mechanical seal	914	Screw
485	Mech. seal locking ring	914.3	Screw
507	Thrower	914.4	Screw
554.1	Washer	922	Nut (A3 construction only)
554.5	Washer	923.1	Lockring
554.7	Washer	940.1	Key
562	Cylinder pin	Z	Liquid supply inlet
672.S	Cock		

○ = A3 construction only

• = Recommended spare parts

Continuing research at Travaini Pumps USA results in product improvements; therefore, any specification may subject to change without notice.

motralec

4 rue Lavoisier . ZA Lavoisier . 95223 HERBLAY CEDEX

Tel. : 01.39.97.65.10 / Fax. : 01.39.97.68.48

Demande de prix / e-mail : service-commercial@motralec.com

www.motralec.com