

TRAVAINI PUMPS USA

TRMB 25 & 32

Single Stage Medium/High Vacuum Pumps

PERFORMANCE DATA	: From 25 Torr	CAPACITY:	- 55 cfm
FEATURES	: single-stage rotating pump with electric motor ball bearings grease lubricated.		
SHAFT SEALING	: mechanical seal		
OPTIONS	: direct monoblock with electric motors.		



TECHNICAL DATA							
PUMP TYPE		TRMB 25-30		TRMB 32-50		TRMB 32-75	
Speed	RPM	2900	3500	2900	3500	2900	3500
Motor - installed power	HP	1	1.5	2	3	4	5.0
Average service liquid flow	GPM	1.0	1.0	1.5	1.5	2.5	2.5
Noise level at 60 Torr	dB(A)	69	69	69	70	70	71
Minimum suction pressure	Torr	25	25	25	25	25	25

Pumps are provided with threaded connections for service liquid, pump draining, anticavitation valve.

Pumps are also provided, by request, with flanged air-liquid separator tank, non return valve, ejector, vacuum relief valve, valve to control the flow of the liquid supply, vacuum gauges, pressure gauges and compound gauges. We can also provide information on our water sealed and oil sealed systems.

For more detailed information please contact our Sales Office.

Example for Model Designation	
<u>T R M B 32 - 50 / GH</u>	
T	Travaini Pump USA construction
R	Liquid Ring Pump
M	Single stage pump with valves for medium and high vacuum – direct monoblock
B	Design number
32	Flange size (mm)
50	Nominal capacity (m ³ /h)
GH	Materials of construction GH-RA-A3 = See table

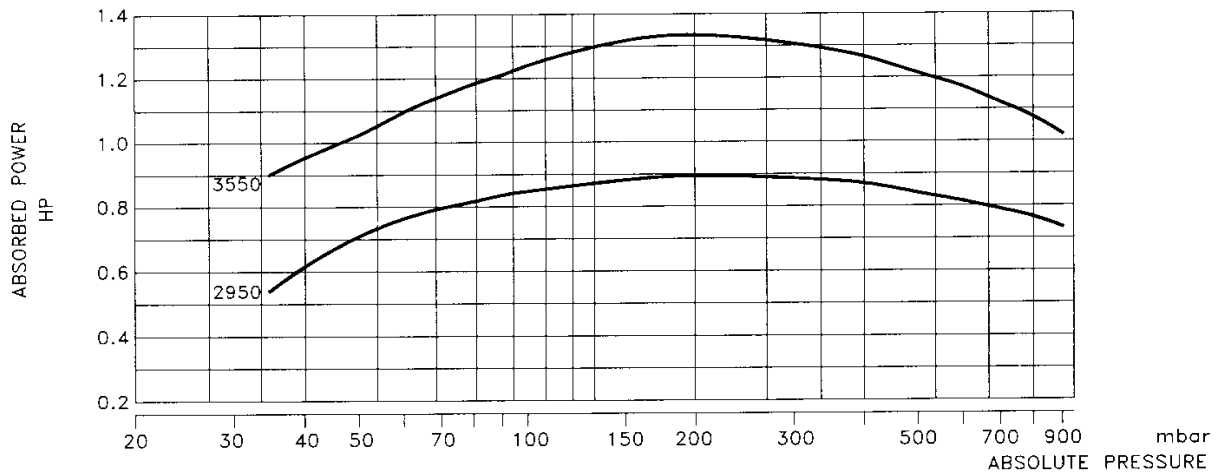
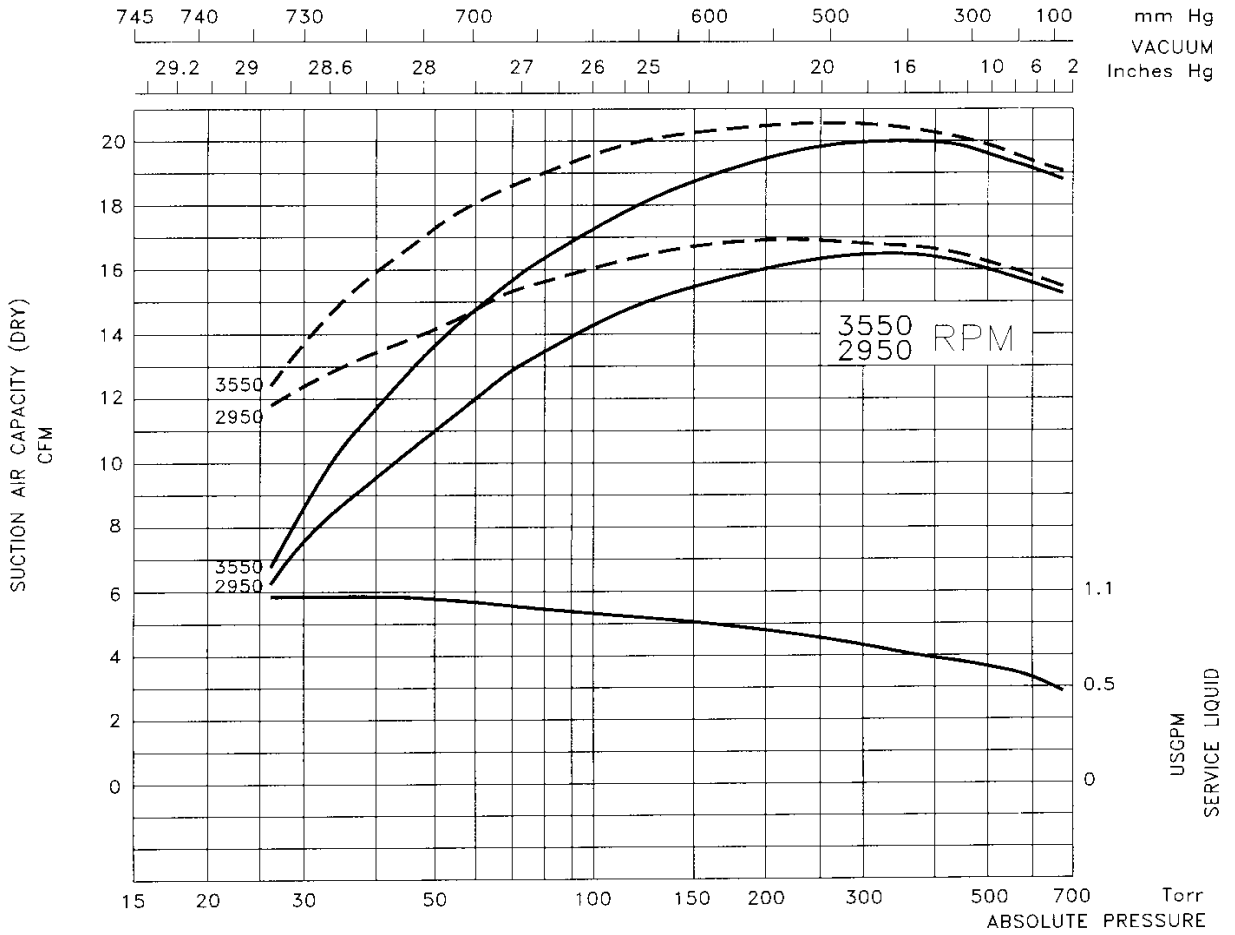
Standard Materials of Construction				
Part No.	Description	GH	RA	A3
101	Discharge casing	Cast Iron		
120	Rear casing			
137.1	Port Plate			
210	Shaft	Stainless Steel AISI 420	Stainless Steel AISI 316	
230	Impeller	Bronze		

Special Materials Available Upon Request

Indicative table: for further information please consult our Sales Office

Liquid Ring Vacuum Pump Performance Data

DRY AIR AT 68 °F - 20 °C SERVICE LIQUID WATER
 SATURATED AIR AT 68 °F - 20 °C SERVICE LIQUID TEMPERATURE 59 °F - 15 °C
 TOLERANCE: 10% S.S. PUMP CAPACITY: -10% DISCHARGE PRESSURE 1013 mbar



MODEL: TRMB 25-30

DATE: FEBRUARY 99

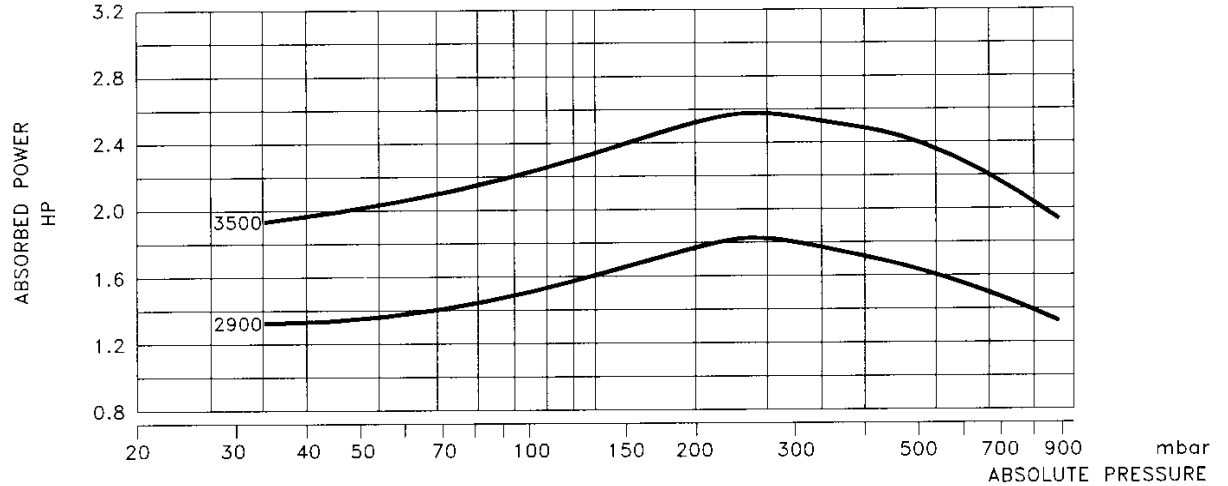
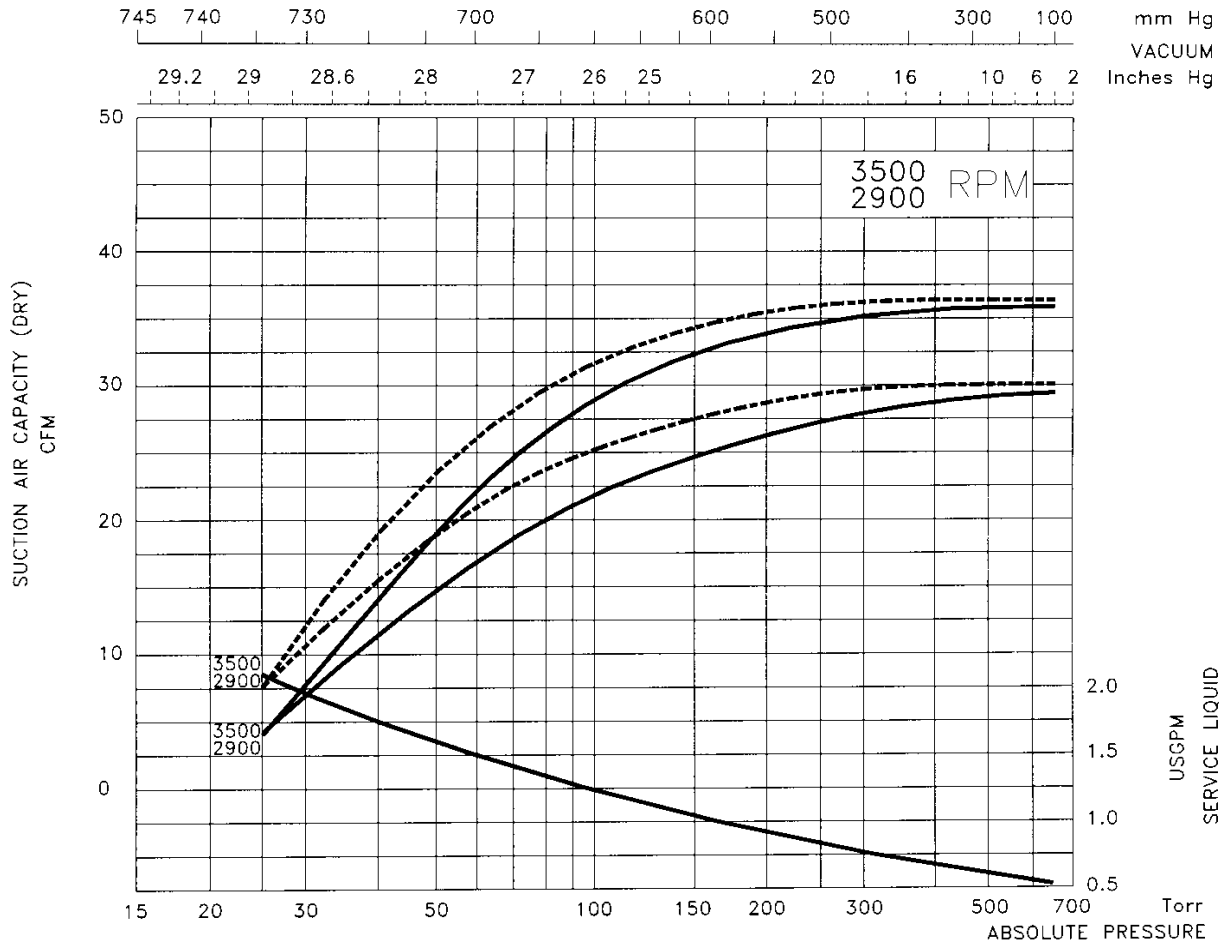
PAGE NO:

DATA BASED ON :
 DRY AIR AT 68 °F - 20 °C
 SATURATED AIR AT 68 °F - 20 °C
 SERVICE LIQUID WATER
 SERVICE LIQUID TEMPERATURE 59 °F - 15 °C
 DISCHARGE PRESSURE 1013 mbar

S.S. PUMPS
 CAPACITY : -10%

Tol.: 10%

PERFORMANCE DATA
 LIQUID RING VACUUM PUMP
 PUMP MODEL
TRMB 32-50

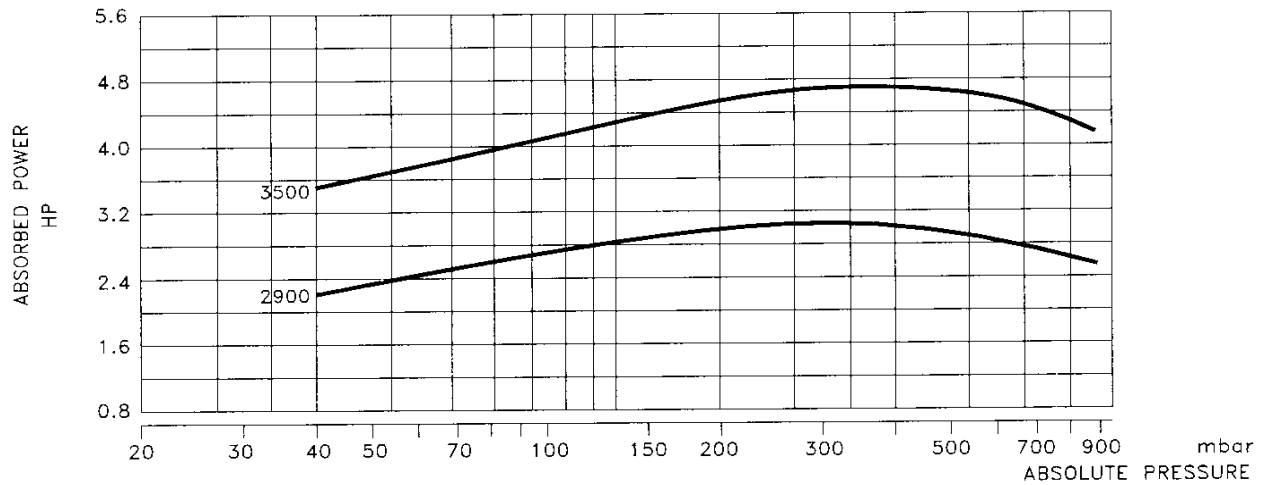
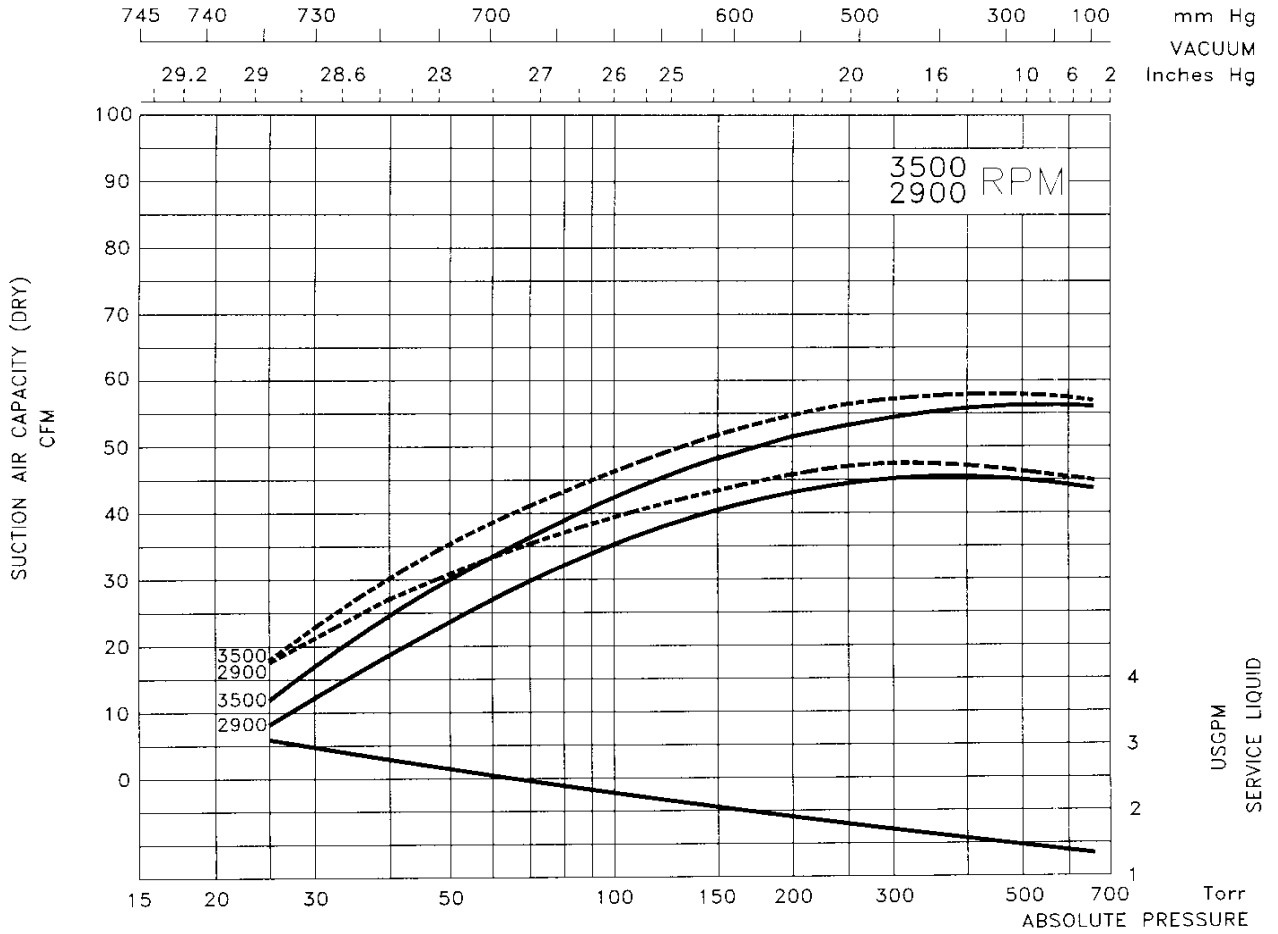


DATE: APRIL 97

DATA BASED ON :
 DRY AIR AT 68 °F - 20 °C
 SATURATED AIR AT 68 °F - 20 °C
 SERVICE LIQUID WATER
 SERVICE LIQUID TEMPERATURE 59 °F - 15 °C
 DISCHARGE PRESSURE 1013 mbar

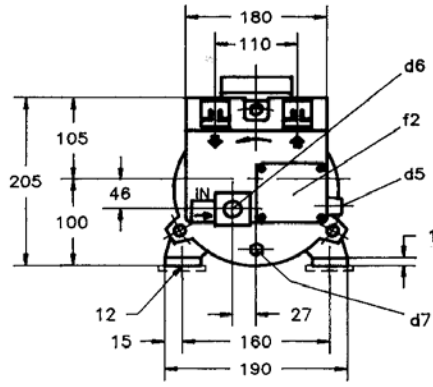
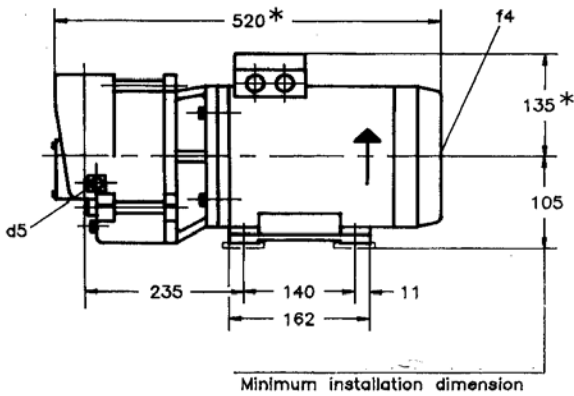
S.S. PUMPS
 CAPACITY : -10%
 Tol.: 10%

PERFORMANCE DATA
 LIQUID RING VACUUM PUMP
 PUMP MODEL
TRMB 32-75



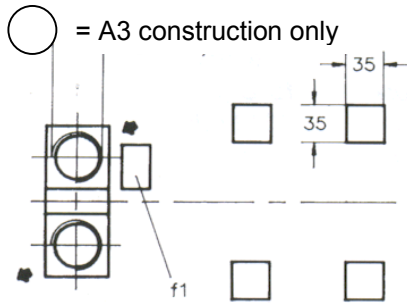
DATE: APRIL 97

Overall Dimensions Pump Type

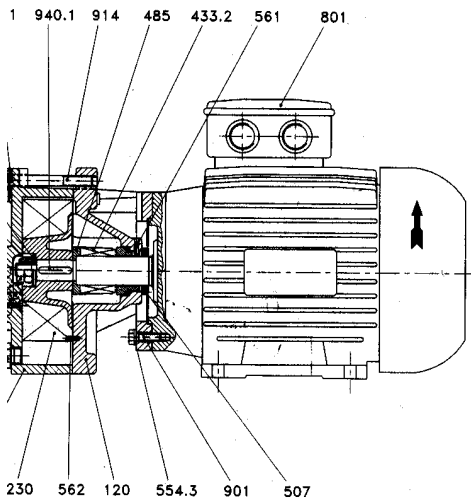


2 Poles Motor HP	Weight lbs.
5	91

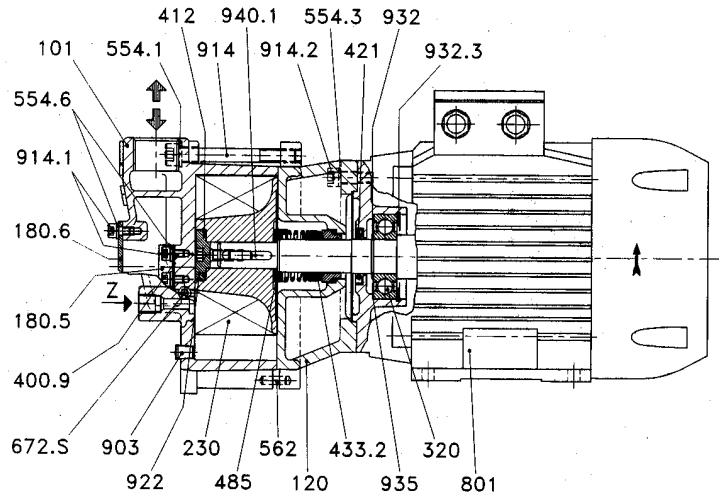
Minimum installation dimension



- d5 = Ø 1/8" GAS F - Anticavitation valve connection
- d6 = Ø 3/8" GAS F - Liquid supply inlet connection
- d7 = Ø 1/8" GAS F - Drain connection
- f1 = Pump identification plate
- f2 = Vacuum valve inspection opening
- f4 = Threaded hole M10 for motor shaft rotation checking



Typical Cross Section **TRMB 25-30**
COMPONENTS



Typical Cross Section **TRMB 32 - 50, 75**

- | Part No | DESIGNATION |
|---------|----------------------------|
| 101 | Suction / discharge casing |
| 120 | Rear casing |
| • 137.1 | Port plate |
| 180.5 | Valve plate |
| 187.1 | Closing plate |
| 230 | Impeller |
| • 320 | Ball bearing |
| • 400.9 | Plane valve |
| • 411.1 | V-Ring |
| • 412 | G-Ring |
| • 412.1 | G-Ring |
| • 421 | Radial seal ring |
| • 433.2 | Mechanical seal |

- | Part No | DESIGNATION |
|---------|------------------------|
| 485 | Mech seal locking ring |
| • 486 | Valve ball |
| • 507 | Thrower |
| 525 | Spacer sleeve |
| 554 | Washer |
| 554.1 | Washer |
| 554.3 | Washer |
| 554.5 | Washer |
| 554.6 | Washer |
| 561 | Cylinder pin |
| 562 | Cylinder pin |
| 672.S | Anticavitation valve |
| 801 | Electric motor |

- | Part No | DESIGNATION |
|---------|----------------------------|
| 903 | Plug |
| 903.1 | Plug |
| 914 | Screw |
| • 914.1 | Screw |
| 914.2 | Screw |
| 920 | Nut (A3 construction only) |
| 922 | Nut |
| 932 | Circlip |
| 932.3 | Circlip |
| 935 | Elastic ring |
| 940.1 | Key |
| Z | Liquid supply inlet |