



**TRAVAINI  
PUMPS USA**

Liquid Ring & Rotary Vane Vacuum Pumps and System

**motralec**

4 rue Lavoisier . ZA Lavoisier . 95223 HERBLAY CEDEX

Tel. : 01.39.97.65.10 / Fax. : 01.39.97.68.48

Demande de prix / e-mail : service-commercial@motralec.com

www.motralec.com

## TRHB 50

### Two Stage High Vacuum Pump

PERFORMANCE DATA	: From 25 Torr	CAPACITY:	125 – 320 cfm
FEATURES	: Two-stage rotating pump with externally located bearings grease lubricated.		
SHAFT SEALING	: Mechanical seal - Double mechanical seal – Packing seal.		
OPTIONS	: Bareshaft pump - Coupled to electric motor on baseplate – Monoblock with electric motor		



#### TECHNICAL DATA

PUMP TYPE		TRHB 50-280		TRHB 50-340		TRHB 50-420	
		1450	1750	1450	1750	1450	1750
Speed	RPM	1450	1750	1450	1750	1450	1750
Motor - installed power	HP	15	15	15	20	20	25
Average service liquid flow	GPM	8	8	10	10	13	13
Noise level at 60 Torr	dB(A)	70	73	70	73	71	74
Minimum suction pressure	Torr	25	25	25	25	25	25

Pumps are provided with threaded connections for service liquid, pump draining, grease, anticavitation valve and companion valve. Pumps are also provided, by request, with auxiliary threaded connections, flanged air-liquid separator tank, non return valve, ejector, vacuum relief valve, flow valve to control the flow of the liquid supply, vacuum gauges, pressure gauges and compound gauges. We can also provide information on our water sealed and oil sealed systems.

For more detailed information please contact our Sales Office.

#### Example for Model Designation

<b>T R H B 50 – 420 / C - M / GH</b>	
<b>T</b>	Travaini Pump USA construction
<b>R</b>	Liquid Ring Pump
<b>H</b>	Double stage pump for high vacuum
<b>B</b>	Design number
<b>50</b>	Flange size (mm)
<b>420</b>	Nominal capacity (m <sup>3</sup> /h)
<b>C</b>	Shaft sealing C = Mechanical seal C2 = Double mechanical seal B = Packing seal
<b>M</b>	Closed-coupled construction with lantern (by request)
<b>GH</b>	Materials of construction GH-F-RA-A3 = See table

#### Standard Materials of Construction

Part No.	Description	GH	F	RA	A3
106	Suction casing	Cast Iron			
107	Discharge casing				
137	Port plate				
110	Impeller housing				
210	Shaft	Stainless Steel AISI 420	Stainless Steel AISI 316		
147	Manifold	Steel			
357	Bearing housing mech. seal	Cast Iron			
230	Impeller	Bronze	Ductile Iron	Stainless Steel AISI 316	

Special Materials Available Upon Request

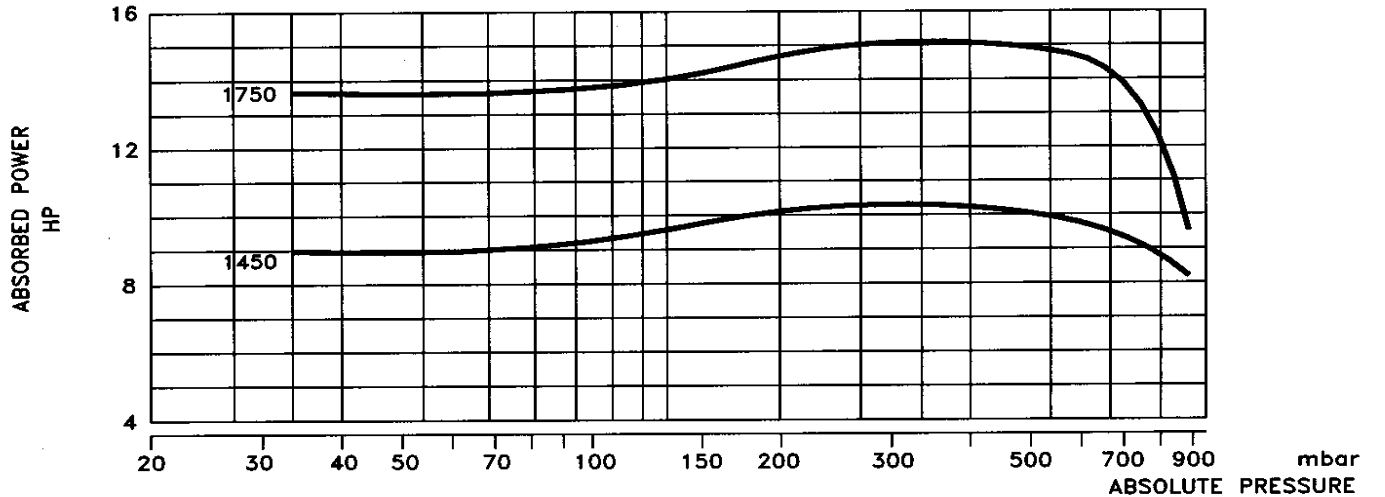
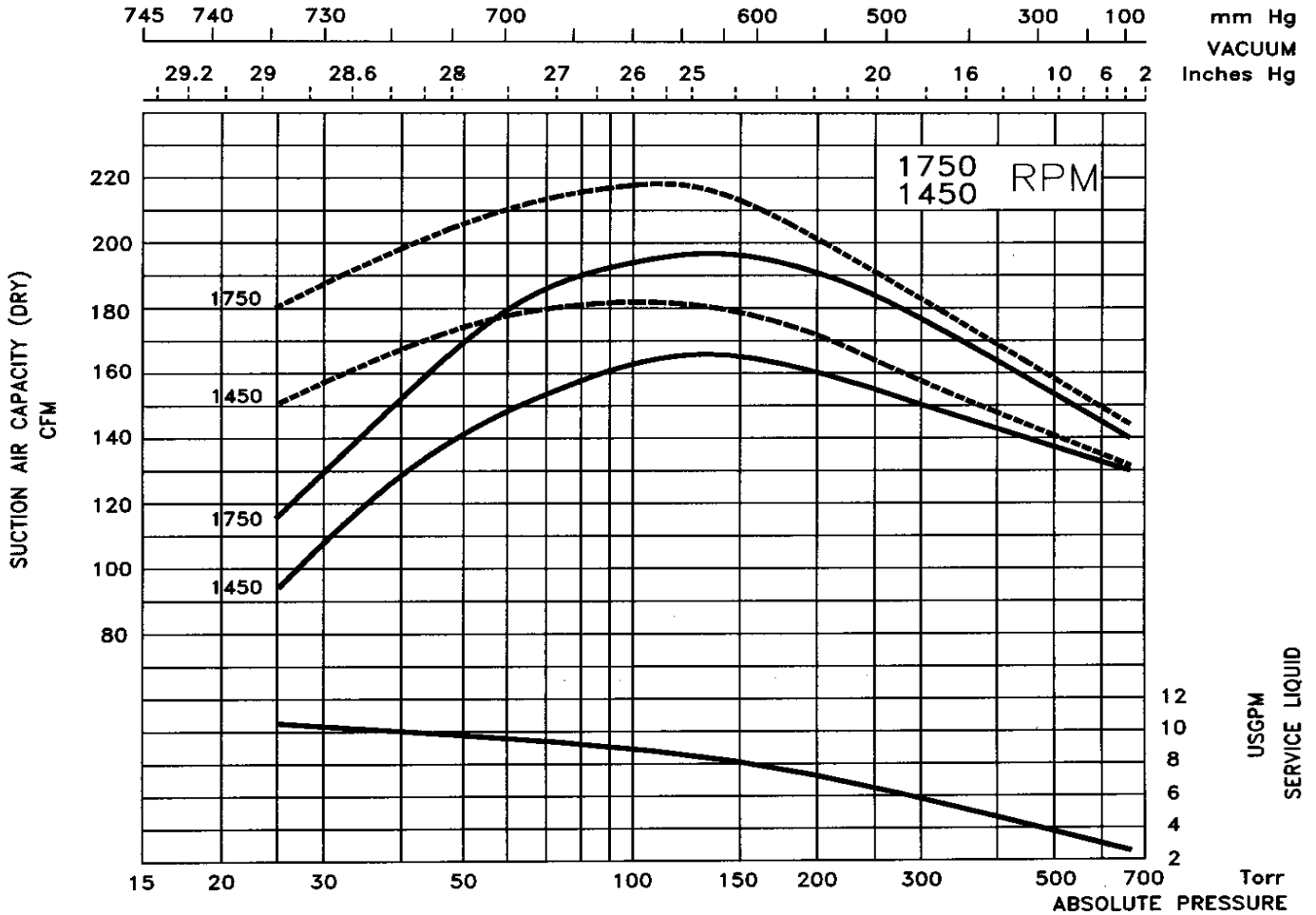
Indicative table: for further information please consult our Sales Office



Liquid Ring & Rotary Vane Vacuum Pumps and System

DATA BASED ON :  
 DRY AIR AT 68 °F - 20 °C  
 SATURATED AIR AT 68 °F - 20 °C  
 SERVICE LIQUID WATER  
 SERVICE LIQUID TEMPERATURE 59 °F - 15 °C  
 DISCHARGE PRESSURE 1013 mbar  
 S.S. PUMPS CAPACITY : -10%  
 Tol.: 10%

PERFORMANCE DATA  
 LIQUID RING VACUUM PUMP  
 PUMP MODEL  
**TRHB 50-280**

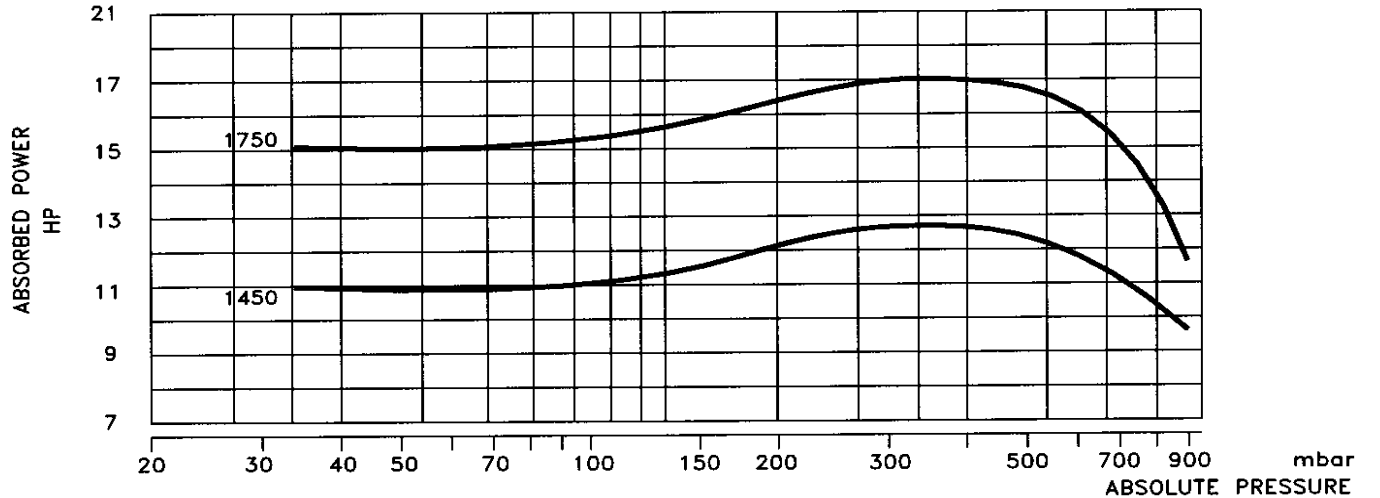
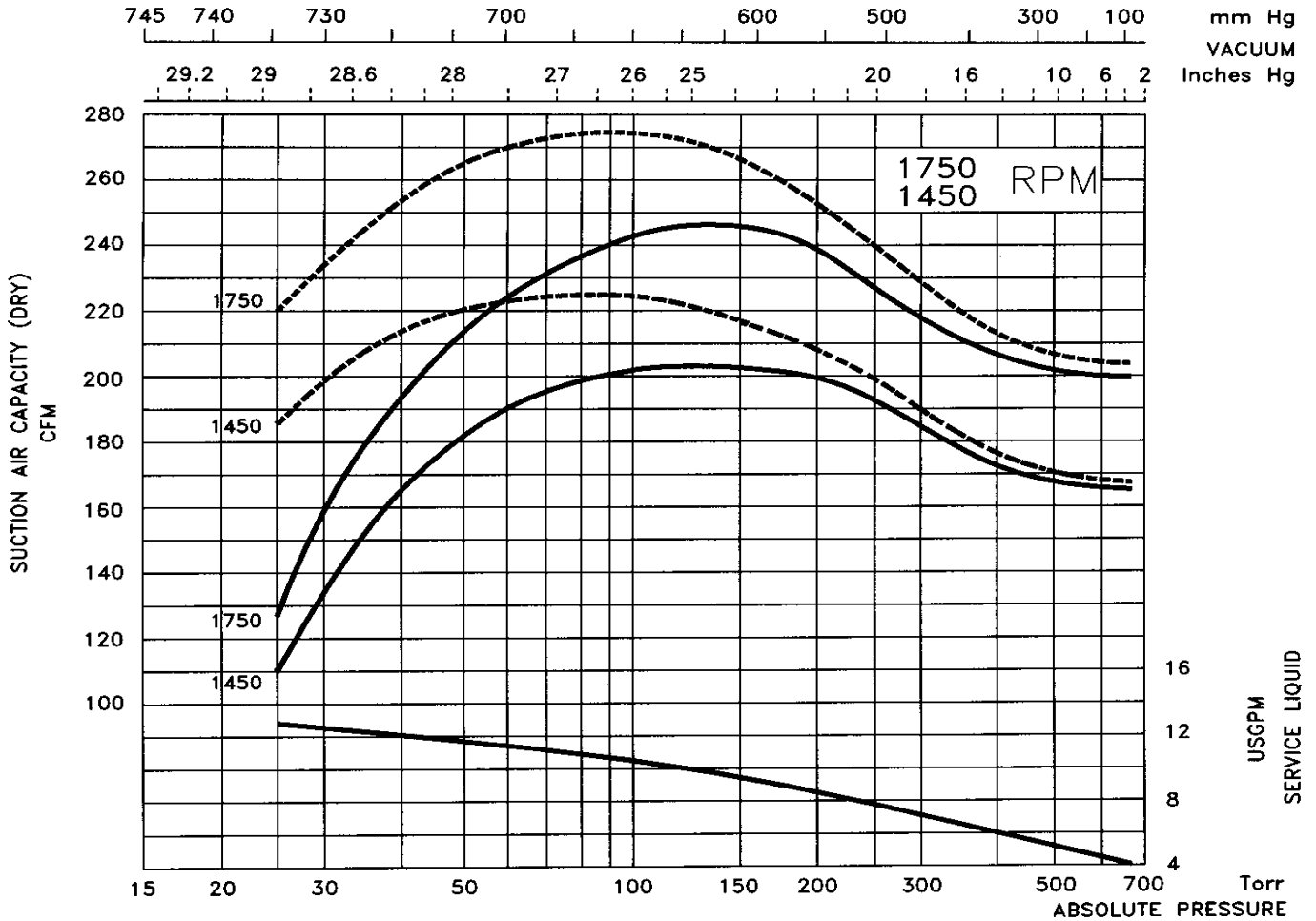




Liquid Ring & Rotary Vane Vacuum Pumps and System

DATA BASED ON :  
 DRY AIR AT 68 °F - 20 °C  
 SATURATED AIR AT 68 °F - 20 °C  
 SERVICE LIQUID WATER  
 SERVICE LIQUID TEMPERATURE 59 °F - 15 °C  
 DISCHARGE PRESSURE 1013 mbar  
 S.S. PUMPS  
 CAPACITY : -10%  
 Tol.: 10%

PERFORMANCE DATA  
 LIQUID RING VACUUM PUMP  
 PUMP MODEL  
**TRHB 50-340**





Liquid Ring & Rotary Vane Vacuum Pumps and System

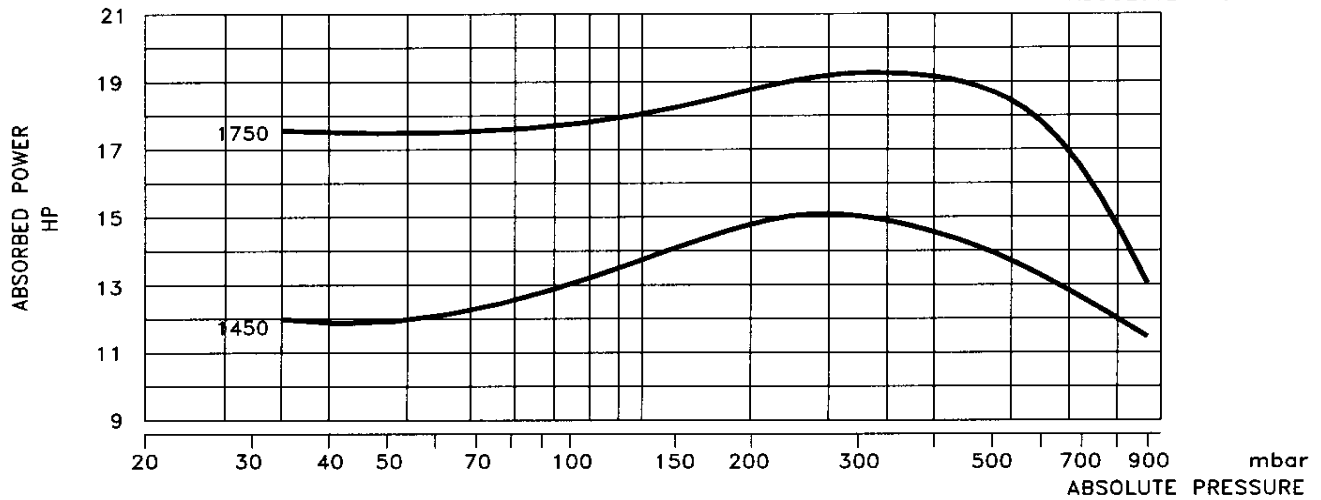
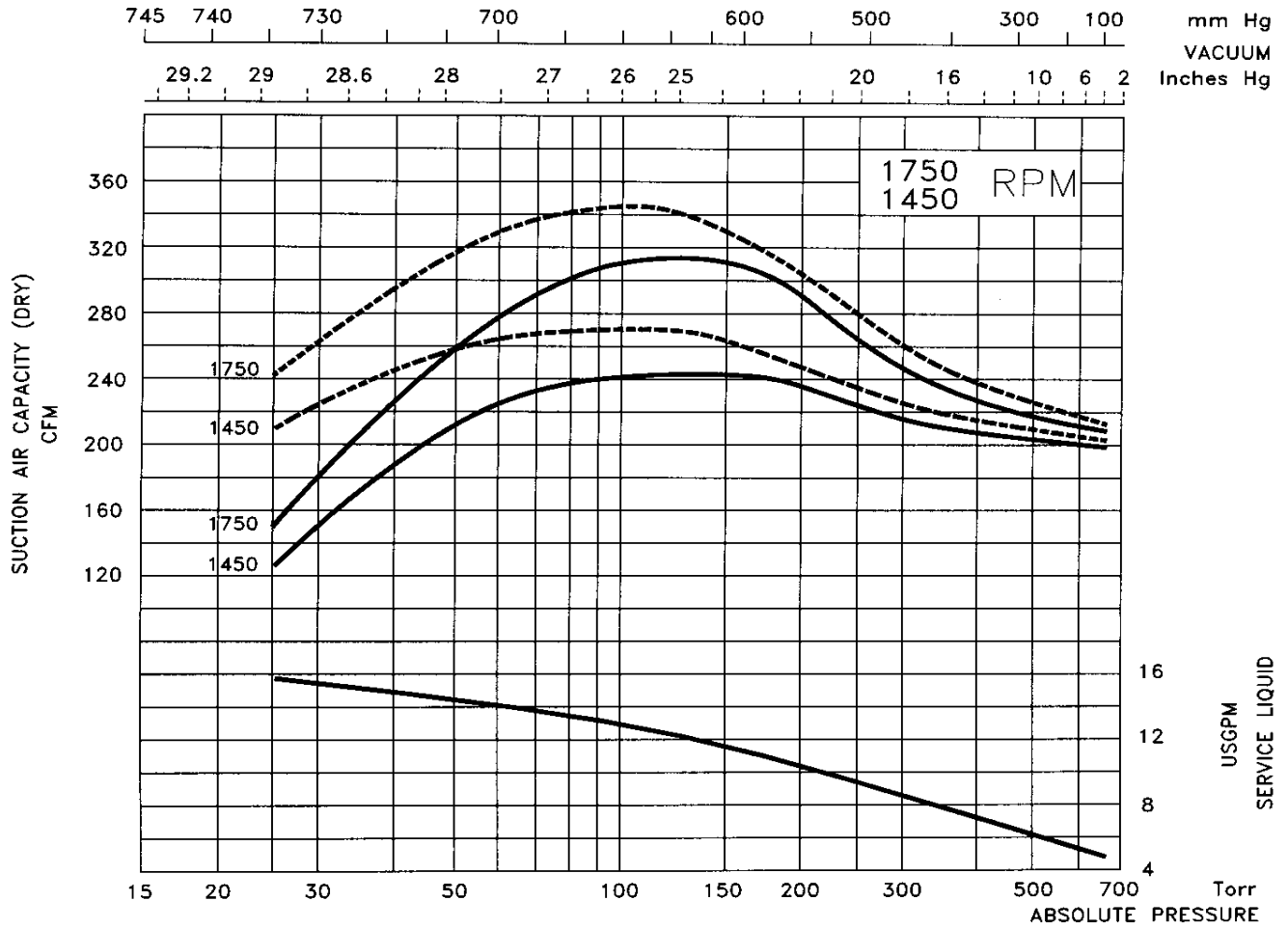
DATA BASED ON :  
 DRY AIR AT 68 °F - 20 °C  
 SATURATED AIR AT 68 °F - 20 °C  
 SERVICE LIQUID  
 SERVICE LIQUID TEMPERATURE 59 °F - 15 °C  
 DISCHARGE PRESSURE 1013 mbar

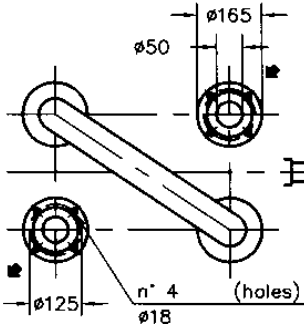
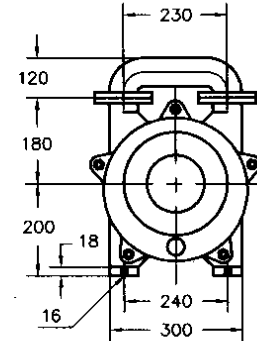
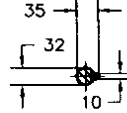
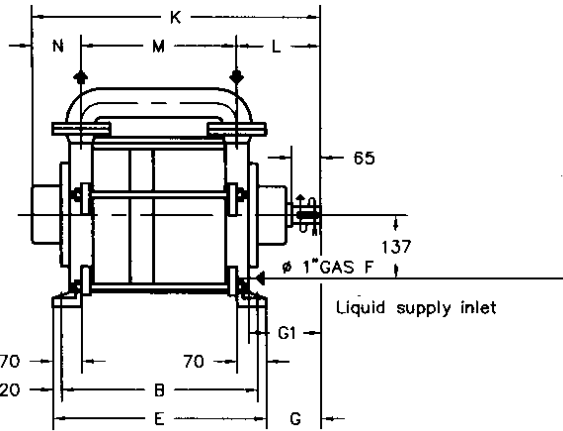
S.S. PUMPS  
 CAPACITY : -10%

Tol.: 10%

PERFORMANCE DATA  
 LIQUID RING VACUUM PUMP  
 PUMP MODEL

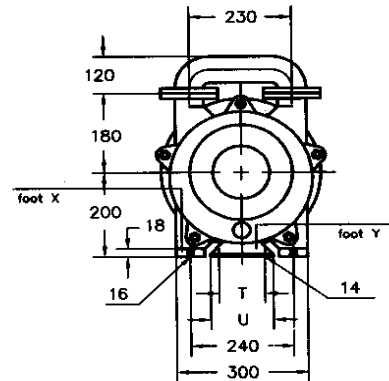
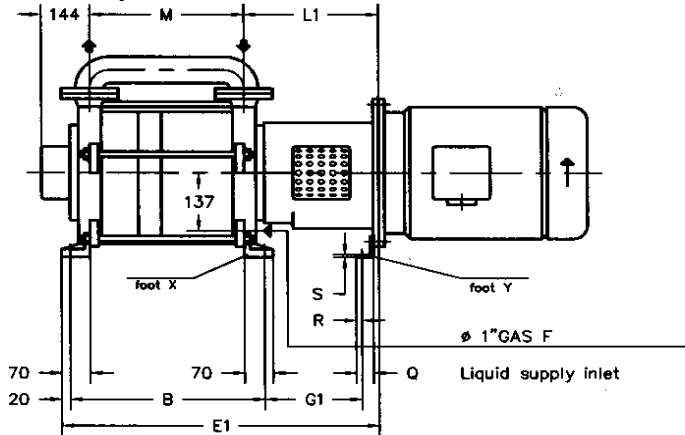
**TRHB 50-420**



**TRHB 50/C**
**Bareshaft Construction with Mechanical Seal**


Pump Type	B	E	M	G	G1	K	L	N	Weight lbs.
TRHB 50-280/C	419	459	319			679			286
TRHB 50-340/C	479	519	379	146	185	739	216	144	308
TRHB 50-420/C	519	559	419			779			319

**Note:** mm  
Dimensions in mm. ----- =inches  
25.4

**Closed-Coupled Construction with Mechanical Seal**


Pump Type	4 Poles Motor HP	Pump										Weight <sup>1</sup> lbs.
		B	E1	G1	L1	M	Q	R	S	T	U	
TRHB 50-280/C	15	419	685	222	313	319	45	20	4	110	140	321
	15		730									352
TRHB 50-340/C	20	479	790	244	342	379	65	28	39	230	280	374
	20											381
TRHB 50-420/C	25	519	830			419						392

<sup>1</sup> Weight without motor  
Dimensions are for reference only. Please consult the factory for certified drawings.  
The weights refer to the GH construction

