

# ▶ TR Type ELECTRIC PUMPS - TRANSFER RANGE

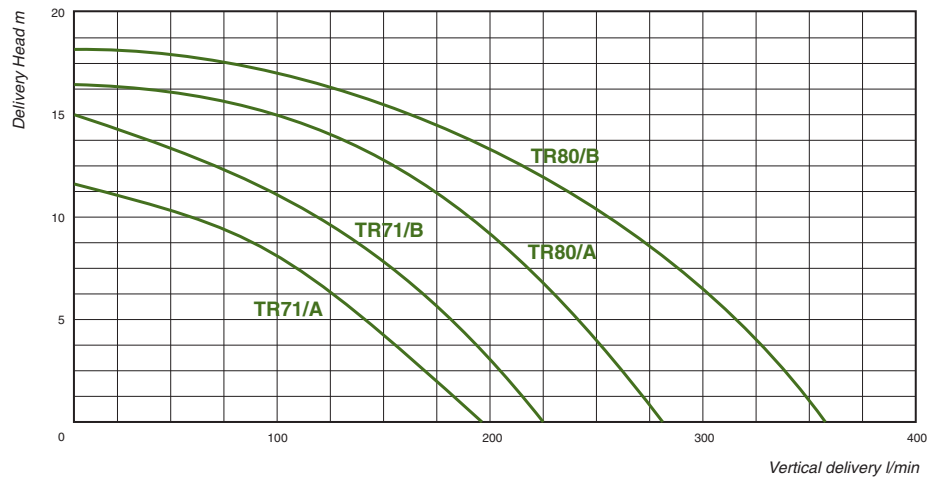
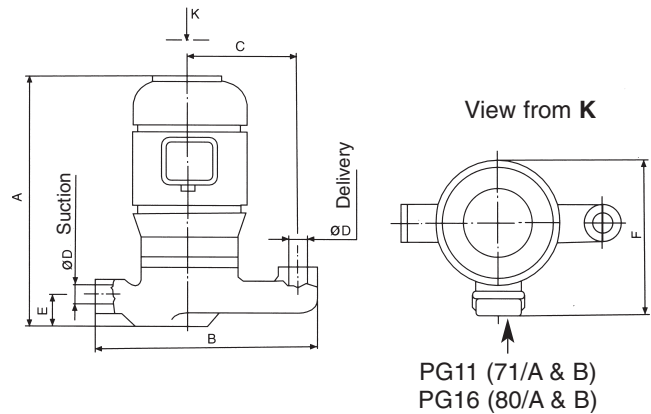


## MECHANICAL FEATURES

Pump Body .....Cast Iron  
Impeller .....Bronze

## MOTOR CHARACTERISTICS

Protection .....IP55  
Insulation .....CL. F  
Voltage.....Eurovoltage 3PH & 1PH  
Frequency.....50Hz



TYPE	KW Absorbed	PG	HP	AMPS 400 V	A mm	B mm	C mm	ØD	E mm	F mm	WEIGHT kg
TR 71/A	0.53	11	0.71	1.4	320	290	130	1" BSP	40	200	12.10
TR 71/B	0.78	11	1.04	1.9	320	290	130	1" BSP	40	200	13.00
TR 80/A	1.15	16	1.54	1.9	370	290	130	1" BSP	40	220	13.90
TR 80/B	1.7	16	2.27	2.8	370	290	130	1" BSP	40	220	14.70

TYPE	PUMP BODY	KW Absorbed	CONNECT BSP	HEAD METRES												
				2	4	6	8	10	12	14	16	18	20	22	24	
TR 71/A	2	0.53	1"	125	110	95	80	65	30	3						
TR 71/B	2	0.78	1"	140	132	124	116	108	70	35	5					
TR 80/A	2	1.15	1"	155	148	142	136	130	115	100	85	70	30	10		
TR 80/B	2	1.7	1"	180	175	170	160	150	140	120	100	80	60	25	10	



**motralec**

4 rue Lavoisier . ZA Lavoisier . 95223 HERBLAY CEDEX  
Tel. : 01.39.97.65.10 / Fax. : 01.39.97.68.48  
Demande de prix / e-mail : [service-commercial@motralec.com](mailto:service-commercial@motralec.com)  
[www.motralec.com](http://www.motralec.com)