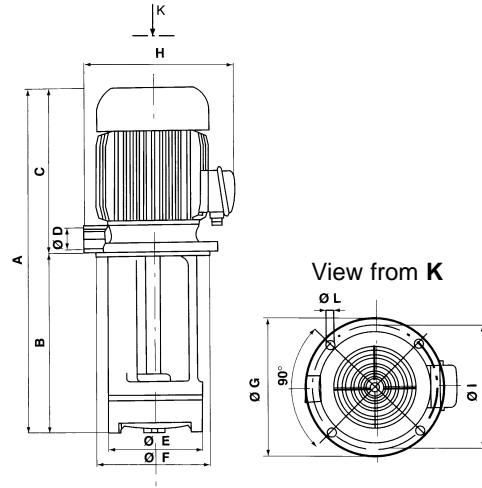


▶ SP Range 12/18/25/33 Din 5440



MECHANICAL FEATURES

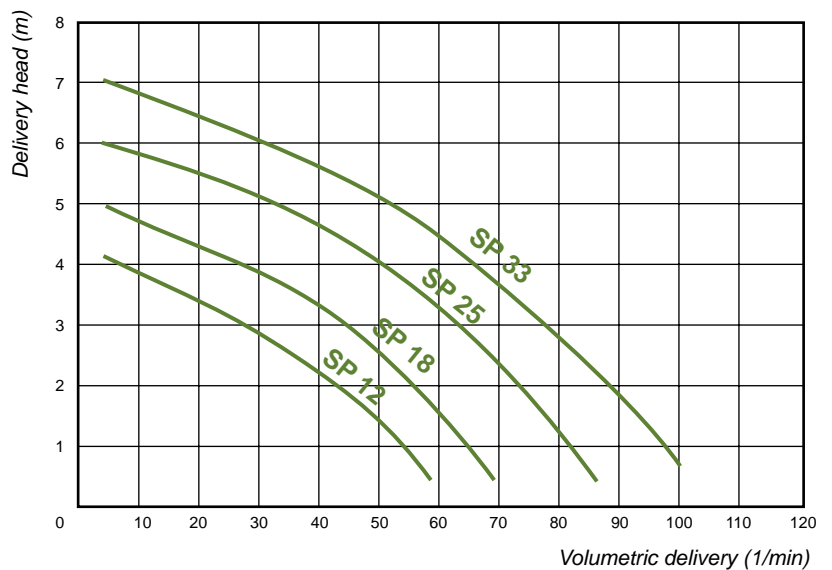
Pump BodyCast Iron
 Cover.....Valox
 ImpellerValox
 ShaftSteel

On Request:

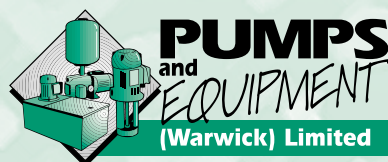
Shaft.....Stainless Steel

MOTOR CHARACTERISTICS

ProtectionIP55
 InsulationCL. F
 Voltage.....Eurovoltage 3PH & 1PH
 Frequency.....50Hz
 Terminal Box GlandPG9



TYPE	KW Absorbed	HP	AMPS 400 V	A mm	B mm	C mm	D BSP	ØE mm	ØF mm	ØG mm	H mm	ØI mm	ØL mm	No. L	WEIGHT Kg
SP 12	0.15	0.20	0.32	255	90	165	3/4"	98	100	130	151	115	7	4	2.80
				285	120										2.87
				335	170										2.95
				385	220										3.05
				435	270										3.15
				515	350										3.30
SP 18	0.16	0.24	0.55	255	90	165	3/4"	98	100	130	151	115	7	4	2.85
				285	120										2.95
				335	170										3.00
				385	220										3.10
				435	270										3.20
				515	350										3.35
SP 25	0.30	0.40	0.58	300	90	210	3/4"	98	100	130	170	115	7	4	6.56
				330	120										6.84
				380	170										7.06
				430	220										7.24
				480	270										7.52
				560	350										8.08
SP 33	0.40	0.53	0.90	300	90	210	3/4"	98	100	130	170	115	7	4	7.06
				330	120										7.34
				380	170										7.56
				430	220										7.74
				480	270										8.02
				560	350										8.58



motralec
 4 rue Lavoisier . ZA Lavoisier . 95223 HERBLAY CEDEX
 Tel. : 01.39.97.65.10 / Fax. : 01.39.97.68.48
 Demande de prix / e-mail : service-commercial@motralec.com
www.motralec.com