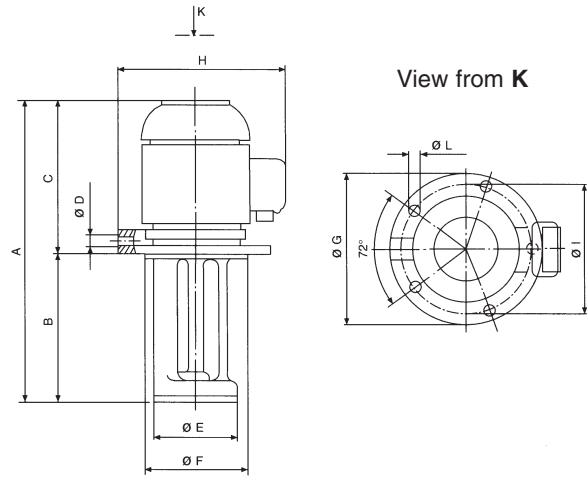
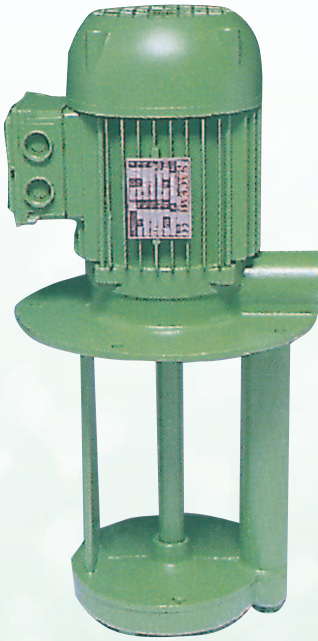


# ► Immersion Range IMM 71/A & 71/B

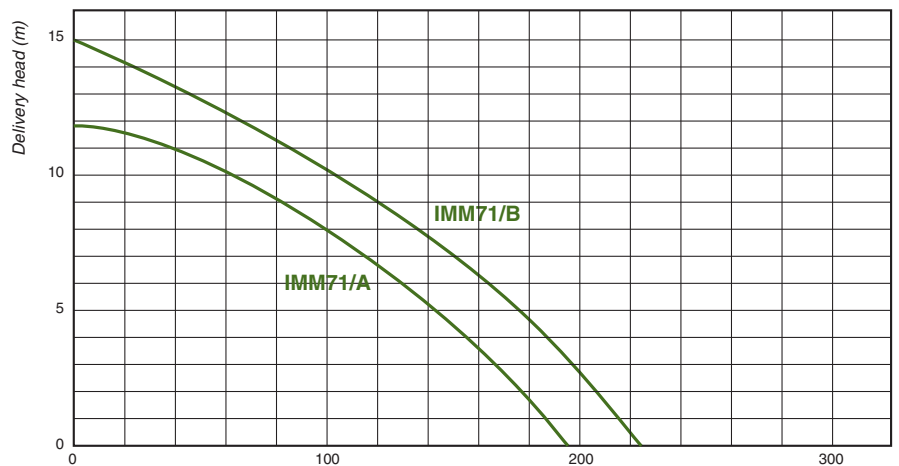


## MECHANICAL FEATURES

Pump Body ..... Cast Aluminium  
 Cover ..... Cast Aluminium  
 Impeller ..... Bronze  
 Shaft ..... Steel  
**On Request:**  
 Shaft ..... Stainless Steel

## MOTOR CHARACTERISTICS

Protection ..... IP55  
 Insulation ..... CL. F  
 Voltage ..... Eurovoltage 3PH  
 Frequency ..... 50Hz



| TYPE     | KW Absorbed | AMPS 400 V | A mm | B mm | C mm | ØD mm | ØE mm | ØF BSP | ØG BSP | ØH mm | ØI mm | ØL mm | n° L | WEIGHT Kg |
|----------|-------------|------------|------|------|------|-------|-------|--------|--------|-------|-------|-------|------|-----------|
| IMM 71/A | 0.53        | 1.4        | 435  | 200  | 235  | 1"    | 180   | 190    | 230    | 225   | 204   | 9     | 5    | 9.65      |
|          | 0.53        | 1.4        | 485  | 250  | 235  | 1"    | 180   | 190    | 230    | 225   | 204   | 9     | 5    | 9.85      |
|          | 0.53        | 1.4        | 560  | 325  | 235  | 1"    | 180   | 190    | 230    | 225   | 204   | 9     | 5    | 10.15     |
|          | 0.53        | 1.4        | 675  | 440  | 235  | 1"    | 180   | 190    | 230    | 225   | 204   | 9     | 5    | 10.55     |
| IMM 71/B | 0.78        | 1.9        | 435  | 200  | 235  | 1"    | 180   | 190    | 230    | 225   | 204   | 9     | 5    | 10.85     |
|          | 0.78        | 1.9        | 485  | 250  | 235  | 1"    | 180   | 190    | 230    | 225   | 204   | 9     | 5    | 11.05     |
|          | 0.78        | 1.9        | 560  | 325  | 235  | 1"    | 180   | 190    | 230    | 225   | 204   | 9     | 5    | 11.35     |
|          | 0.78        | 1.9        | 675  | 440  | 235  | 1"    | 180   | 190    | 230    | 225   | 204   | 9     | 5    | 11.80     |



**motralec**  
 4 rue Lavoisier . ZA Lavoisier . 95223 HERBLAY CEDEX  
 Tel. : 01.39.97.65.10 / Fax. : 01.39.97.68.48  
 Demande de prix / e-mail : service-commercial@motralec.com  
[www.motralec.com](http://www.motralec.com)