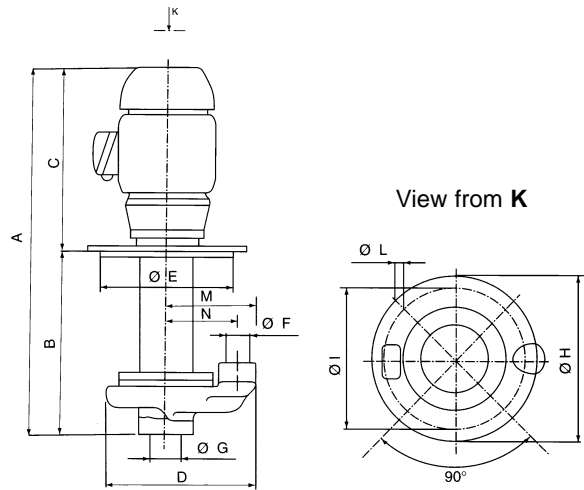


# ▶ TYPE AP ELECTRIC PUMPS HIGH PRESSURE RANGE

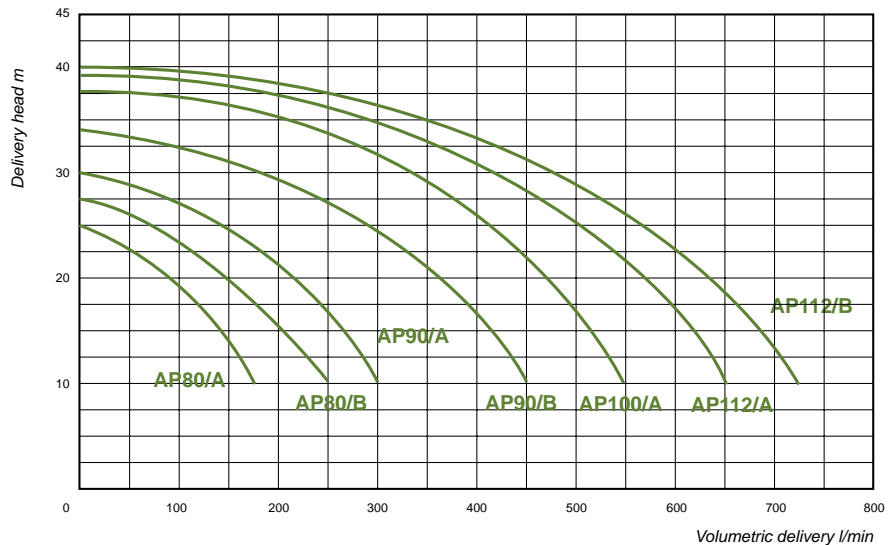


## MECHANICAL FEATURES

Pump Body .....Cast Iron  
 Cover .....Cast Iron  
 Impeller .....Cast Iron  
 Shaft .....Steel  
 Mechanical .....Carbon

## MOTOR CHARACTERISTICS

Protection .....IP55  
 Insulation .....CL. F  
 Voltage .....Eurovoltage 3PH  
 Frequency .....50Hz



TYPE	KW Absorbed	HP	AMPS 400 V	A mm	B mm	C mm	ØD mm	ØE mm	ØF BSP	ØG BSP	ØH mm	ØI mm	ØL mm	M mm	N mm	WEIGHT Kg	
AP 80/A	1.97	2.63	2.9	600	320	280	280	240	1 1/4"	2"	300	270	13	170	136	36.0	
				730	450											42.0	
				890	610											44.0	
				1080	800											46.0	
AP 80/B	2.19	2.93	3.2	600	320	280	280	240	1 1/4"	2"	300	270	13	170	136	37.0	
				730	450											43.0	
				890	610											45.0	
				1080	800											47.0	
AP 90/A	2.08	2.78	5.4	660	320	340	280	240	1 1/4"	2"	300	270	13	170	136	41.0	
				790	450											47.0	
				950	610											49.0	
				1140	800											51.0	
AP 90/B	3.60	4.82	6.2	660	320	340	280	240	1 1/2"	2 1/2"	300	270	13	170	136	43.0	
				790	450											49.0	
				950	610											51.0	
				1140	800											53.0	
AP 100/A	4.43	5.93	8.4	700	320	380	280	240	1 1/2"	2 1/2"	300	270	13	170	136	48.0	
				830	450											54.0	
AP 112/A	5.50	7.37	11.0	990	610	410	280	240	1 1/2"	2 1/2"	300	270	13	170	136	56.0	
				1180	800											58.0	
				730	320											59.0	
				860	450											65.0	
AP 112/B	6.00	8.00	12.2	1020	610	410	320	240	2"	2 1/2"	300	270	13	190	145	67.0	
				1210	800											69.0	
				730	320											61.0	
				860	450											67.0	
				1020	610											69.0	
				1210	800												71.0