

Circulators for heating and air-conditioning installations



PERFORMANCE RANGE

- Flow rate up to **5.2 m³/h**
- Head up to **7 m**

APPLICATION LIMITS

- Liquid temperature from **+5 °C**
(-10 °C per DHL 25-32/70) up to **+110 °C** (class TF 110)
- Ambient temperature up to **+55 °C**
(+35 °C for DHL 25/70 - 32/70)
- Maximum working pressure **10 bar** (PN 10)
- Maximum glycol percentage 50%
- The rotor shaft should be installed horizontally

CONSTRUCTION AND SAFETY STANDARDS

EN 60335-1
IEC 60335-1
CEI 61-150



POS. CONSTRUCTION CHARACTERISTICS

1 PUMP BODY	Cast iron	
2 IMPELLER	Technopolymer	
3 SHAFT	Stainless steel	
4 SWITCH	Three positions	
5 CAPACITOR	Pump	Capacitance
	<i>Single-phase</i>	<i>(230 V)</i>
	DHL 25/35	1.5 µF 400 VL
	DHL 25/55-65	2.0 µF 400 VL
	DHL 25-32/70	3.5 µF 400 VL
6 MOTOR	Single-phase 230 V - 50Hz – Insulation: H class – Protection: IP 44	

CERTIFICATIONS



AN30



VspTECT-003

INSTALLATION AND USE

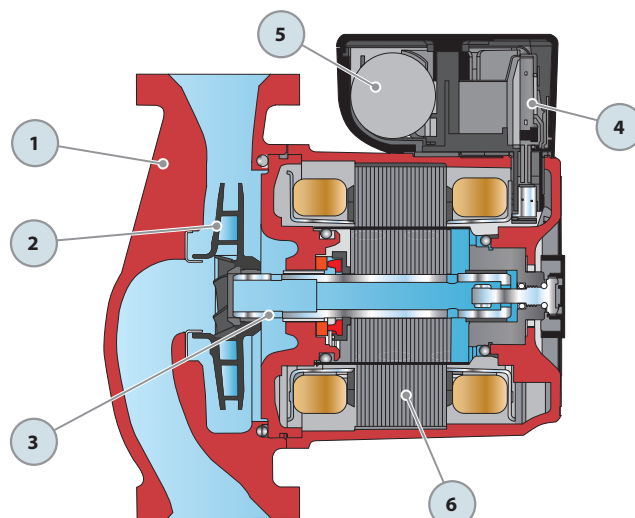
Suitable for use with clean water and liquids that are not chemically aggressive towards the materials from which the circulator is made.

Ideal for the forced-circulation of hot and cold water, the circulator has **three speed** settings.

The pump should be installed in an enclosed environment, or at least sheltered from inclement weather.

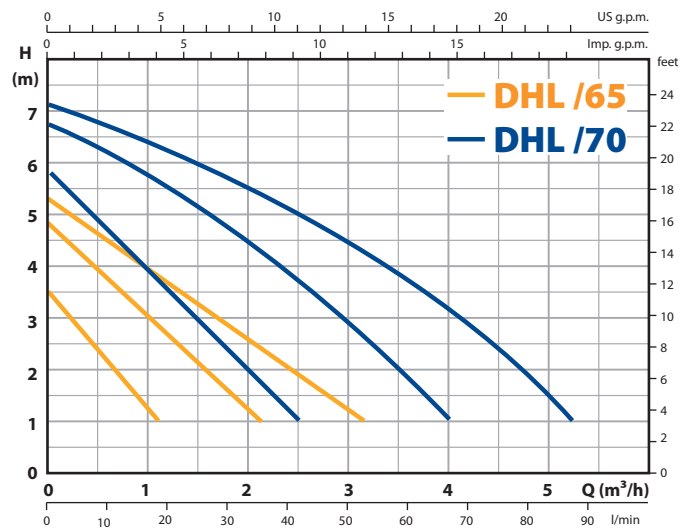
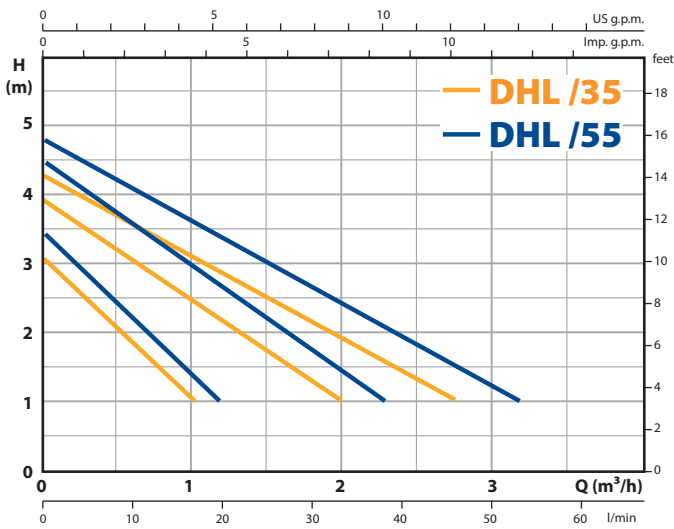
GUARANTEE

1 year subject to terms and conditions



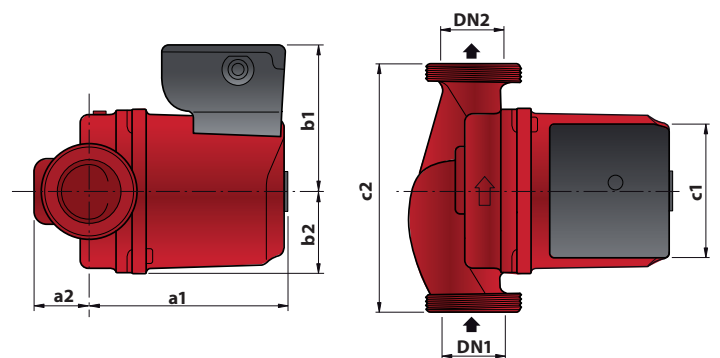
CHARACTERISTIC CURVES AND PERFORMANCE DATA

50 Hz n= 2900 1/min HS= 0 m



MODEL	DIMENSIONS	PERFORMANCE		Speed	rpm	P1 (W)	In (A)
		m ³ /h	metres				
Single-phase							
DHL 25/35-130	130	0.3 ÷ 2.8	4 ÷ 1	3	2300	48	0.21
DHL 25/35-180	180			2	1950	46	0.20
				1	1400	34	0.15
DHL 25/55-130	130	0.3 ÷ 3.2	4.5 ÷ 1	3	2350	52	0.23
DHL 25/55-180	180			2	1900	46	0.20
				1	1350	36	0.16
DHL 25/65-130	130	0.3 ÷ 3.2	5 ÷ 1	3	2200	62	0.27
DHL 25/65-180	180			2	1800	58	0.25
				1	1300	38	0.16
DHL 25/70-180	180	0.3 ÷ 5.2	7 ÷ 1	3	2650	125	0.55
DHL 32/70-180	180			2	2520	103	0.48
				1	2030	92	0.45

MODEL	PORTS		DIMENSIONS mm						Peso kg
	DN1	DN2	a1	a2	b1	b2	c1	c2	
Single-phase									
DHL 25/35-130	1½"	1½"	101.5	33.7	76.7	51.3	68.2	130	2.7
DHL 25/35-180								180	3.0
DHL 25/55-130								130	2.7
DHL 25/55-180								180	3.0
DHL 25/65-130								130	2.7
DHL 25/65-180								180	3.0
DHL 25/70-180	1½"	1½"	115.5	33.7	76.7	51.3	68.2	180	3.5
DHL 32/70-180	2"	2"						180	3.6



PALLETIZATION

MODEL	n° pumps	H (mm)	kg 1~
Single-phase			
DHL 25/35-130	200	880	557
DHL 25/35-180	180	890	557
DHL 25/55-130	200	880	557
DHL 25/55-180	180	890	557
DHL 25/65-130	200	880	557
DHL 25/65-180	180	890	557
DHL 25/70-180	180	890	647
DHL 32/70-180	180	890	665

