

# 4SK 4" submerged electropump with peripheral impeller

**Stainless steel submerged pump with peripheral impeller and anti-blocking system.**  
**Standard version supplied with a 10-metre power cable and built-in condenser, for simple and easy installation.**



## RANGE OF PERFORMANCE

Flow rate up to 50 l/min (3.0 m<sup>3</sup>/h)  
Head up to 68 m

## LIMITS OF USE

Depth of use up to 40 m  
Liquid temperature up to + 40°C

## EXECUTION AND SAFETY STANDARDS

EN 60 335-1	EN 60034-1
IEC 335-1	IEC 34-1
CEI 61-150	CEI 2-3



## USES AND INSTALLATIONS

It is recommended for pumping clean water without abrasive particles and liquids that are chemically non aggressive for the materials of which the pump is made. **FOR ITS COMPACTNESS AND ECONOMY IT IS RECOMMENDED FOR DOMESTIC USE AND IN PARTICULAR FOR DISTRIBUTING WATER IN COMBINATION WITH SMALL AUTOCLAVES, FOR IRRIGATION, ETC.**

**GUARANTEE 2 YEARS** according to our general terms of sale.

## CONSTRUCTION CHARACTERISTICS

- **DELIVERY BODY:** stainless steel AISI 304.
- **PUMP BODY WITH DOUBLE ANTI-BLOCKING SHIM DISK IN FRONT OF THE IMPELLER;** (patented).
- **IMPELLER:** brass, type with radial peripheral vanes.
- **MOTOR JACKET:** stainless steel AISI 304.
- **MOTOR SHAFT:** stainless steel EN 10088-3 - 1.4104.
- **MOTOR:** submersible, asynchronous, single-phase, for continuous duty (without oil, rewindable).  
4SKm: single-phase 220÷240 V - 50 Hz.
- **INSULATION:** class F. ● **PROTEZIONE:** IP 68.
- **MECHANICAL SEAL:** ceramic - graphite - NBR.

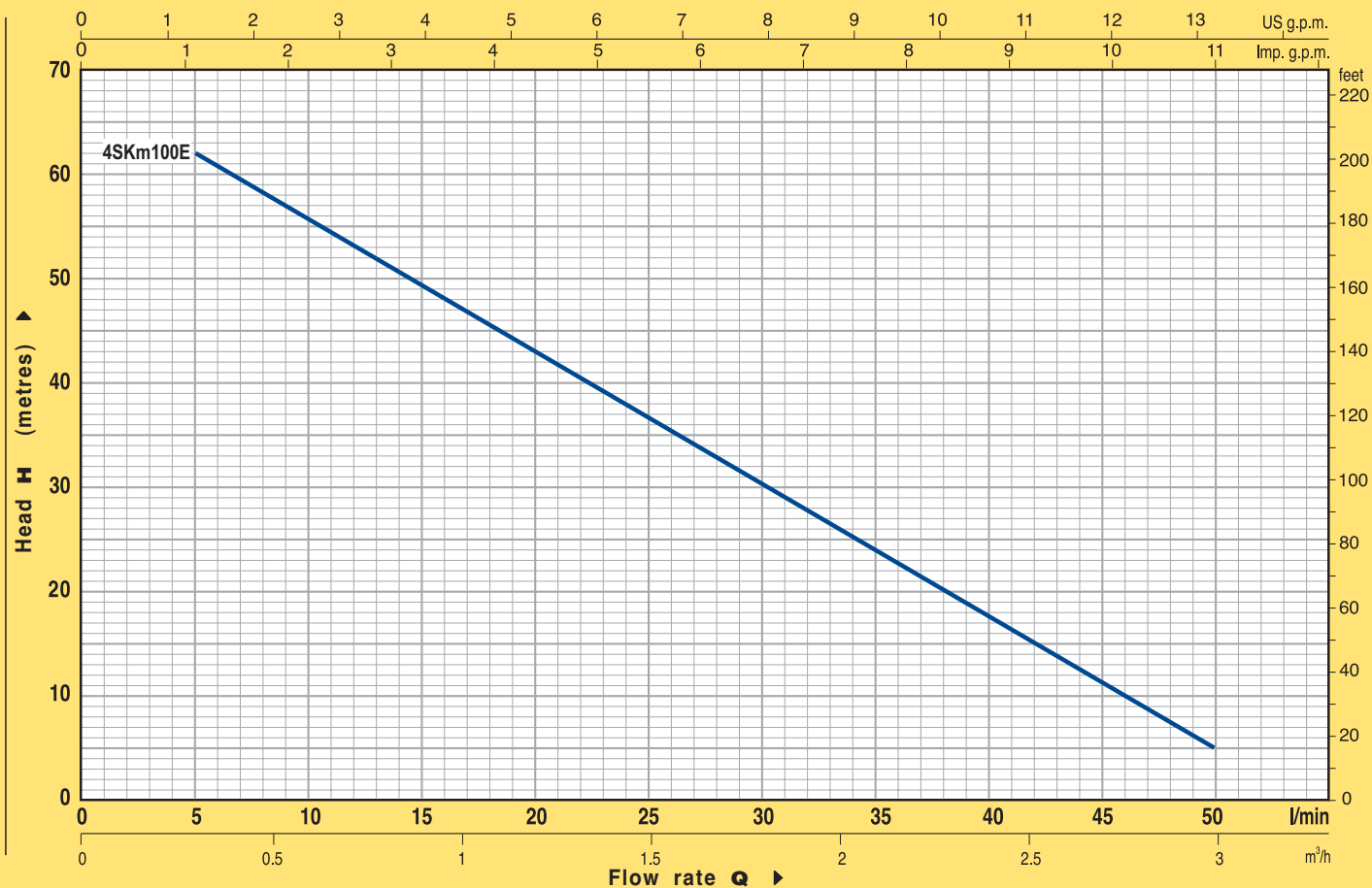
## THE ELECTROPUMP IS COMPLETE WITH:

- 4SKm Thermal overload protector.
- Condenser built into the inside of the motor.
- Flat type 10 metre power cable.

## EXECUTION ON REQUEST

- ⇒ 20 metre power cable
- ⇒ other voltages or frequency 60 Hz

**CURVES AND PERFORMANCE DATA AT n= 2900 1/min**

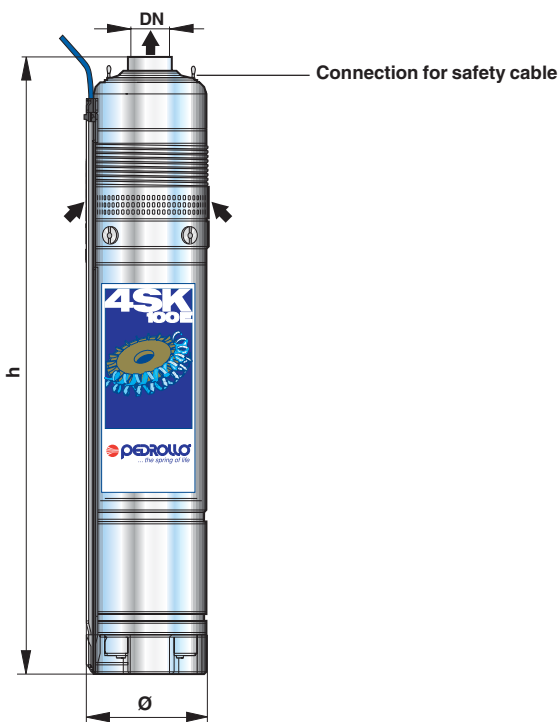


TYPE	POWER		Q	Flow rate											
	MW	HP		m³/h	0	0.3	0.6	0.9	1.2	1.5	1.8	2.1	2.4	3.0	
Single-phase			l/min	0	5	10	15	20	25	30	35	40	50		
<b>4SKm 100E</b>	0.75	1	H metres	68	62	55	49	43	37	30	24	17	5		

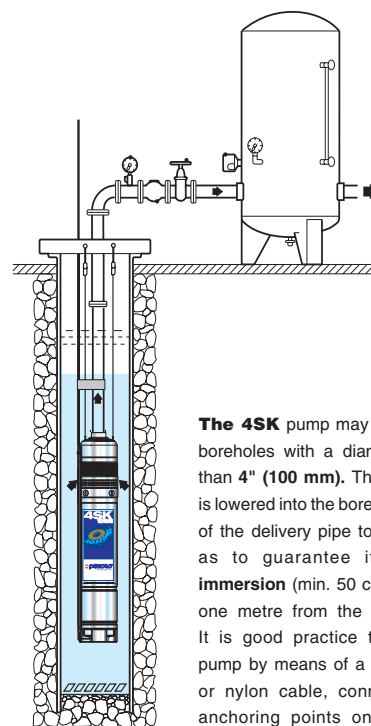
Q = Flow rate H = Total manometric head

Tolerance of the performance curves according to EN ISO 9906 App. A.

**DIMENSIONS AND WEIGHTS**



**Typical installation**



The 4SK pump may be installed in boreholes with a diameter not less than 4" (100 mm). The electropump is lowered into the borehole by means of the delivery pipe to such a depth as to guarantee its **complete immersion** (min. 50 cm and at least one metre from the bottom). It is good practice to secure the pump by means of a stainless steel or nylon cable, connected to the anchoring points on the delivery body.

TYPE	INLET DN	DIMENSIONS mm		kg
		Ø	h	
Single-phase				
<b>4SKm 100E</b>	<b>1"</b>	99.5	500	13.1

Submerged pumps with peripheral impeller and patented anti-blocking system (guarantees pump operation even after long periods of inactivity).



### RANGE OF PERFORMANCE

Flow rate up to 80 l/min (4.8 m<sup>3</sup>/h)  
Head up to 77 m

### LIMITS OF USE

Depth of use up to 40 m  
Liquid temperature up to + 40°C

### EXECUTION AND SAFETY STANDARDS

EN 60 335-1	EN 60034-1	CE
IEC 335-1	IEC 34-1	
CEI 61-150	CEI 2-3	

### USES AND INSTALLATIONS

They are recommended for pumping clean water without abrasive particles and liquids that are chemically non aggressive for the materials of which the pump is made. **FOR THEIR COMPACTNESS AND ECONOMY THEY ARE RECOMMENDED FOR DOMESTIC USE AND IN PARTICULAR FOR DISTRIBUTING WATER IN COMBINATION WITH AUTOCLAVES, FOR IRRIGATION, ETC.**

**GUARANTEE 2 YEARS** according to our general terms of sale.

### CONSTRUCTION CHARACTERISTICS

- **DELIVERY BODY:** brass with double anti-blocking shim disk in front of the impeller.
- **IMPELLER:** brass, type with radial peripheral vanes.
- **MOTOR JACKET:** stainless steel AISI 304.
- **MOTOR SHAFT:** stainless steel EN 10088-3 - 1.4104.
- **MOTOR:** submersible, asynchronous, single-phase, for continuous duty, may be removed and rewound, in an oil bath.  
5SKm: single-phase 220÷240 V - 50 Hz.
- **INSULATION:** class F. ● **PROTECTION IP 68.**
- **MECHANICAL SEAL:** stainless steel - graphite - NBR.

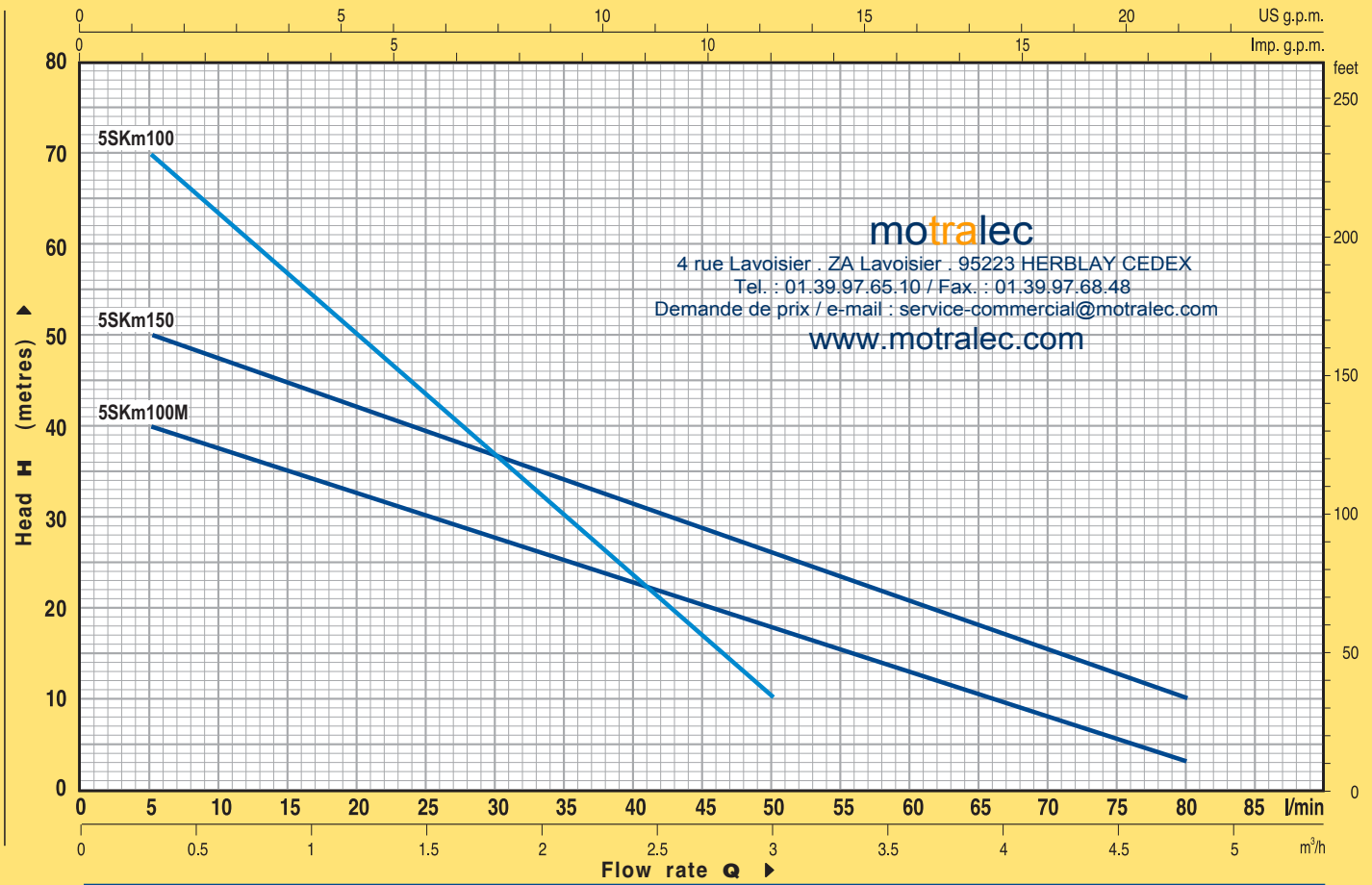
### THE ELECTROPUMP IS COMPLETE WITH:

- 5SKm** Checkvalve
- 20 metre neoprene power cable type "H07 RN-F" with removable connector.
- Electric panel with bipolar switch, condenser and motor protector with manual reset.

### EXECUTION ON REQUEST

⇒ other voltages or frequency 60 Hz

**CURVES AND PERFORMANCE DATA AT n= 2900 1/min**

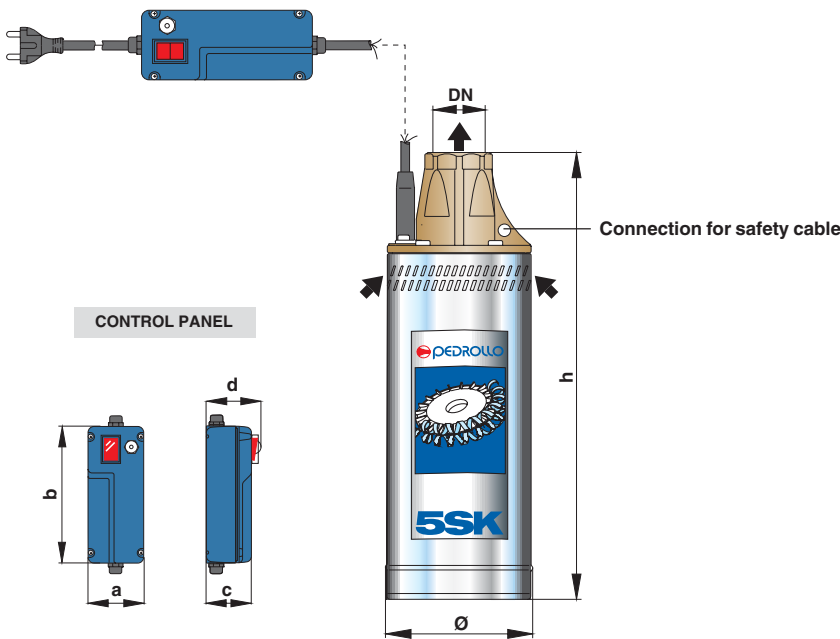


TYPE	POWER		Q	Flow rate															
	MW	HP		m³/h	0	0.3	0.6	0.9	1.2	1.5	1.8	2.1	2.4	3.0	3.6	4.2	4.8		
Single-phase			l/min	0	5	10	15	20	25	30	35	40	50	60	70	80			
5SKm 100	0.75	1	H metres	77	70	63.5	57	50	43.5	37	30	23	10						
5SKm 100M	0.75	1		42	40	37.5	35	32.5	30	27.5	25	22.5	17.5	13	8	3			
5SKm 150	1.1	1.5		53	50	47.5	45	42	39	37	34	31	26	21	15	10			

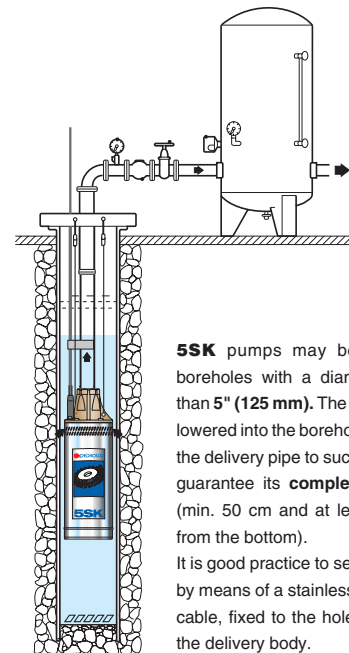
Q = Flow rate H = Total manometric head

Tolerance of the performance curves according to EN ISO 9906 App. A.

**DIMENSIONS AND WEIGHTS**



**Typical installation**



5SK pumps may be installed in boreholes with a diameter not less than 5" (125 mm). The electropump is lowered into the borehole by means of the delivery pipe to such a depth as to guarantee its **complete immersion** (min. 50 cm and at least one metre from the bottom).

It is good practice to secure the pump by means of a stainless steel or nylon cable, fixed to the holes provided on the delivery body.

TYPE	INLET DN	Ø	h	DIMENSIONS mm				kg
Single-phase				a	b	c	d	
5SKm 100	1 1/4"	120	313	81	200	66	85	14.9
5SKm 100M								16.4
5SKm 150								16.4