

DRAINAGE

Dreno

**Submersible
Pump for
Drainage**

USE:

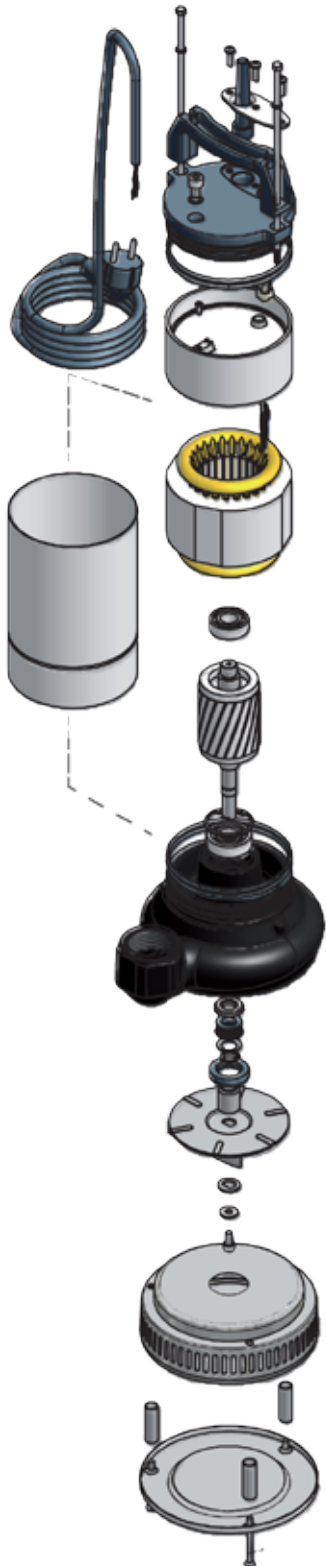
Water pumping weakly charged
Suspended solids \varnothing 5 mm max
Immersion depth of 10 m

FEATURES:

Engine oil bath, insulation class F
Double seals, lip seals and reinforced carbon ceramic
mechanical seal
Power cable: 10 m neoprene
Motor casing in stainless steel, 304 stainless steel open impeller
Pump body in cast iron, 420 stainless steel shaft
continuous service

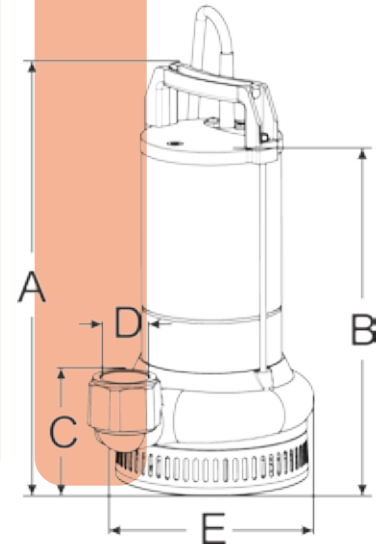


■ Clean water / muddy water



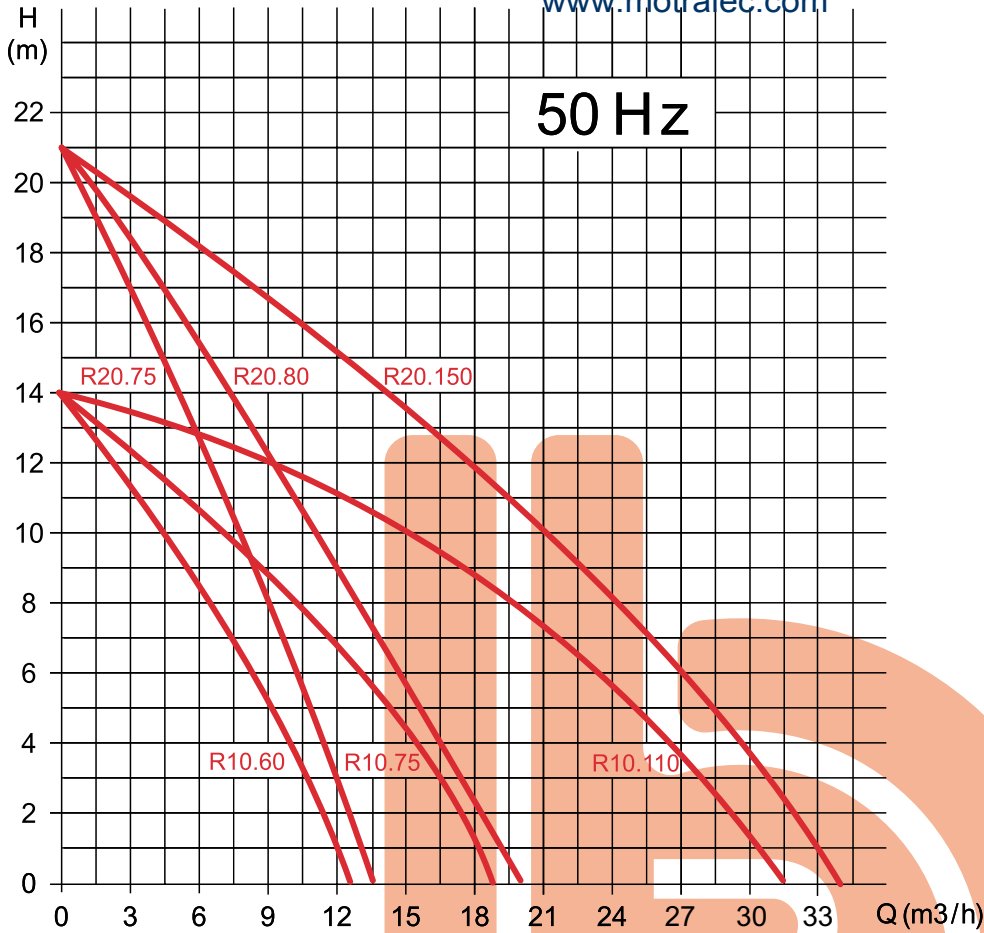
motralec

4 rue Lavoisier . ZA Lavoisier . 95223 HERBLAY CEDEX
Tel. : 01.39.97.65.10 / Fax. : 01.39.97.68.48
Demande de prix / e-mail : service-commercial@motralec.com
www.motralec.com



Type	Dimensions (mm)					Weight Kg
	A	B	C	\varnothing D	E	
R 10.60	335	285	110	1 1/4"	160	11,0
R 10.75	355	305	110	1 1/2"	160	12,0
R 10.110	370	350	120	2"	175	16,0
R 20.75	350	295	110	1 1/4"	160	11,5
R 20.80	370	315	110	1 1/2"	160	12,5
R 20.150	380	340	120	2"	175	17,0

**Submersible
Pump for
Drainage**



Type	Tension		Power		Motor		Connection DN	H (max) m	Debit (max) m³/h	Code
	V		kW	CV	A	µF				
R 10.60.1M	1 x 230		0,6	0,8	4,0	16	1"¼	14	12,5	01010797
R 10.60.1A	1 x 230		0,6	0,8	4,0	16	1"¼	14	12,5	01010796
R 10.60.3	3 x 400		0,6	0,8	1,8	-	1"¼	14	12,5	01010798
R 10.75.1M	1 x 230		0,75	1	5,0	20	1"½	14	18,5	01010800
R 10.75.1A	1 x 230		0,75	1	5,0	20	1"½	14	18,5	01010799
R 10.75.3	3 x 400		0,75	1	2,6	-	1"½	14	18,5	01010801
R 10.110.1M	1 x 230		1,1	1,5	8,5	35	2"	14	31,5	01010803
R 10.110.1A	1 x 230		1,1	1,5	8,5	35	2"	14	31,5	01010802
R 10.110.3	3 x 400		1,1	1,5	3,0	-	2"	14	31,5	01010804

Power cable: 10 m neoprene - Type A: model with float

Type	Tension		Power		Motor		Connection DN	H (max) m	Debit (max) m³/h	Code
	V		kW	CV	A	µF				
R 20.75.1M	1 x 230		0,75	1	5,4	20	1"¼	21	13	01010817
R 20.75.1A	1 x 230		0,75	1	5,4	20	1"¼	21	13	01010818
R 20.75.3	3 x 400		0,75	1	2,6	-	1"¼	21	13	01010819
R 20.80.1M	1 x 230		0,8	1,1	7,8	20	1"½	21	20	01010790
R 20.80.1A	1 x 230		0,8	1,1	7,8	20	1"½	21	20	01010789
R 20.80.3	3 x 400		0,8	1,1	3,0	-	1"½	21	20	01010791
R 20.150.1M	1 x 230		1,5	2	8,8	40	2"	21	34	01010793
R 20.150.1A	1 x 230		1,5	2	8,8	40	2"	21	34	01010792
R 20.150.3	3 x 400		1,5	2	4,0	-	2"	21	34	01010794

Integrated single-phase capacitor - Type A: model with float