

MINIVORT PP

SUBMERSIBLE SEWAGE PUMPS WITH VORTEX IMPELLER

The MINIVORT PP pumps are made entirely of cast iron and designed for continuous use in fixed installations. Manufactured on the vortex operating principle with the impeller set back.



Motor

- Dry motor
- Level of protection IP68
- Class F insulation
- Single phase power supply with capacitor permanently activated and thermal protection built into the motor winding
- Three phase power supply with external protection provided by the user
- Self-lubricating ball bearings
- Speed of rotation 2850 rpm

Applications

- Pumping and draining effluent; civil and industrial sewage with suspended solids
- Draining of cesspits, cesspools, handling of effluent
- Pumping stations with one or more pumps for civil and industrial plants
- On request, connecting foot to make installations and maintenance easier

Usage limitations

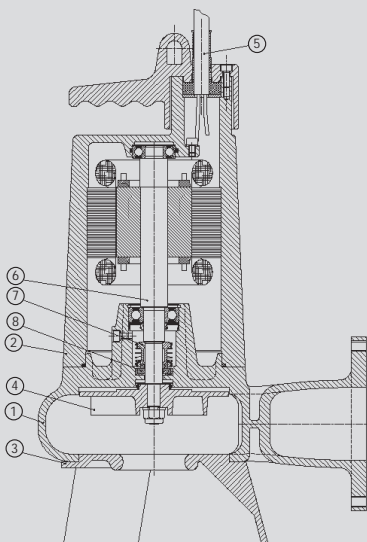
- Type of liquid: waste water and sewage
- Maximum liquid temperature 40°C
- Maximum submersion under the water level 7m
- Minimum drainage level 72mm (manual version)
- Free clearance of solids 58 mm

Design features

- Automatic single phase version with float switch and sealed electric panel including capacitor, thermal protection and manual/automatic switch. 10 m H07 RN-F power supply cable
- Three phase version, 10 m H07 RN-F power supply cable
- Single phase version with panel complete with capacitor and 10 m H07 RN-F power supply cable
- Flanged outlet connection, with square threaded counterflange - 2" female

Optional

Cast iron connecting foot
(cod. N2054010)



motralec

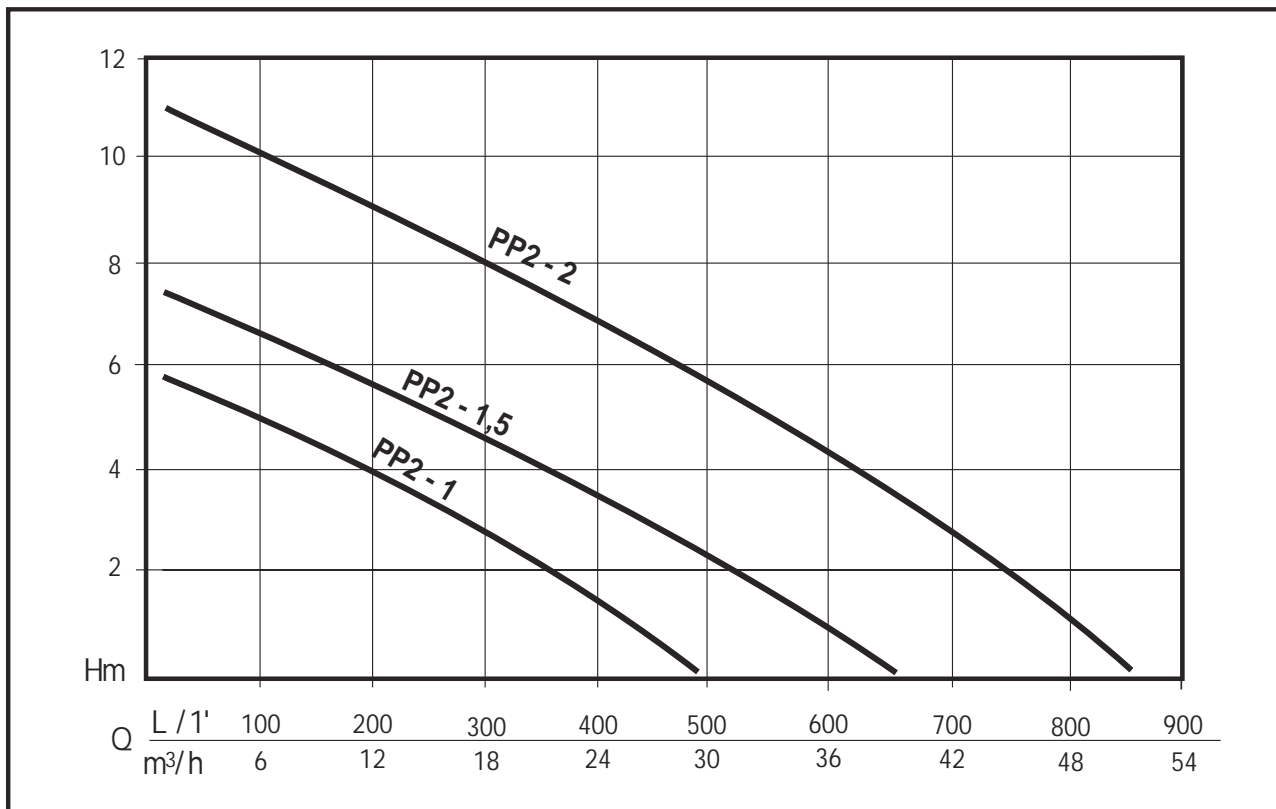
4 rue Lavoisier . ZA Lavoisier . 95223 HERBLAY CEDEX
Tel. : 01.39.97.65.10 / Fax. : 01.39.97.68.48
Demande de prix / e-mail : service-commercial@motralec.com

www.motralec.com

DESIGN FEATURES

Component	Material	
1 Pump casing	EN GJL 200 (ex G20) Grey cast iron	
2 Motor casing	EN GJL 200 (ex G20) Grey cast iron	
3 Base	EN GJL 200 (ex G20) Grey cast iron	
4 Impeller	EN GJL 200 (ex G20) Grey cast iron	
5 Power cable	10 m H07 RN-F	
6 Motor shaft	X 12 CrNiS 1809 (AISI 416) Stainless steel	
7 Mechanical seal	Graphite	Oil chamber for seal lubrication
8 Counterface	Ceramic	
- Lip seal	NBR 70 rubber	

TABLE OF HYDRAULIC PERFORMANCE



PUMP PERFORMANCE

CODE	MODEL	Nominal power		Absorbed power		VOLTAGE	Amp.	μF.	Q	Discharge head in meters											
		HP	KW	HP	KW					L/1'	100	200	300	400	600	800					
										m³/h	6	12	18	24	36	48					
N2051010	MINIVORT PP2 - 1 M	1	0,75	2	1,5	1 ~ 220 ÷ 240 V	6,2	20	Discharge head in meters	5	4	3	1,6								
N2051020	MINIVORT PP2 - 1 M AUT					1 ~ 220 ÷ 240 V	6,2	20													
N2051030	MINIVORT PP2 - 1 T					3 ~ 400 V	2,3														
N2052010	MINIVORT PP2 - 1,5 M	1,6	1,2	2,5	1,8	1 ~ 220 ÷ 240 V	8,2	25		6,7	5,7	4,6	3,3	1							
N2052020	MINIVORT PP2 - 1,5 M AUT					1 ~ 220 ÷ 240 V	8,2	25													
N2052030	MINIVORT PP2 - 1,5 T					3 ~ 400 V	3														
N2053010	MINIVORT PP2 - 2 M	2	1,5	3	2,2	1 ~ 220 ÷ 240 V	9,8	35								10	9,3	8,2	7	4,2	1
N2053020	MINIVORT PP2 - 2 M AUT					1 ~ 220 ÷ 240 V	9,8	35													
N2053030	MINIVORT PP2 - 2 T					3 ~ 400 V	3,5														


 4 rue Lavoisier . ZA Lavoisier . 95223 HERBLAY CEDEX
 Tel. : 01.39.97.65.10 / Fax. : 01.39.97.68.48
 Demande de prix / e-mail : service-commercial@motralec.com
www.motralec.com

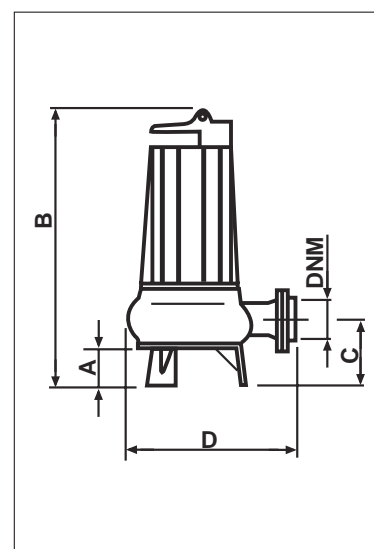


TABLE OF SIZES AND WEIGHTS

Model	Dimensions mm.					Weight kg
	A	B	C	D	DNM	
MINIVORT PP2 - 1	72	475	115	325	2 1/2"	30
MINIVORT PP2 - 1,5	72	475	115	325	2 1/2"	31
MINIVORT PP2 - 2	72	475	115	325	2 1/2"	33