



NOCCHI CPS20

TWIN PUMP BOOSTER SETS - VARIABLE SPEED

The new CPS20 twin pump unit is an innovative constant pressure system for industrial and residential applications.

Each pump installed in the system is equipped with a CPS frequency changer directly assembled on the motor. The two CPS devices switch the starting order of the pumps at each working cycle maintaining constant pressure in the system.

APPLICATIONS

- Pumping of water in domestic systems
- Booster systems
- Industry
- Washing systems and irrigation

CPS TECHNICAL DATA

- Power input: 1x230 Vac ± 10 %.
- Output voltage: 3x230 Vac ± 10 %
- Max nominal power: 2x2,4 kW
- Input frequency : 50/60 Hz + 3%
- Max output current : 8 Amp
- Protection: IP55-VLR / IP54-DHR; IP-44 MULTINOX, MULTINOX-A, MULTINOX-VE, JET, JETINOX
- Max ambient temperature: + 50°C
- Input filter in accordance with EMC directive
- Pressure transmitter 0 - 5 Volt - 0 - 10 Bar
- Connections RS 485 port
- Free contacts :3 (ext set point, alarm, system inhibition)



TYPE	MODEL	kW (P2)	Q1 l/m	Q2 l/m	H1 m	H2 m
HORIZONTAL	CPS20 JET 1000	2x1	10	140	42	20
	CPS20 JETINOX 90/50	2x9	20	160	44	3
	CPS20 MULTINOX 80/48	2x5	540	160	37	9
	CPS20 MULTINOX 120/60	2x0	40	200	53	4
	CPS20 MULTINOX-A 200/40	2x1,1	40	360	34	13
	CPS20 MULTINOX-A 200/65	2x1,4	40	360	56	22
	CPS20 MULTINOX-A 200/80	2x1,8	40	360	67	26
	CPS20 DHR 2-50	2x0,5	20	100	25	12
	CPS20 DHR 4-50	2x0,7	80	240	39	17
	CPS20 DHR 4-60	2x1,1	80	240	49	25
	CPS20 DHR 9-40	2x1,3	80	480	40	10
CPS20 DHR 9-60	2x1,9	804	80	60	14	
VERTICAL	CPS20 MULTINOX-VE 200/40	2x1,1	40	360	34	13
	CPS20 MULTINOX-VE 200/65	2x1,4	40	360	56	22
	CPS20 MULTINOX-VE200/80	2x1,8	40	320	67	26
	CPS20 VLR2B/60	2xt75	20	100	54	30
	CPS20 VLR2B/110	2x1,	120	100	100	55
	CPS20 VLR 4-60	2x1,1	80	240	53	27
	CPS20 VLR 4-80	2x1,5	80	240	71	35
	CPS20 VLR 4-100	2x2,2	80	240	89	44
CPS20 VLR8-40	2x1,5	100	400	41	22	

BASEMENT

- Galvanized plate with silent block

SUCTION MANIFOLD

In galvanized steel with:

- N.2 brass ball valves prepared for low pressure switch

DISCHARGE MANIFOLD

In galvanized steel with:

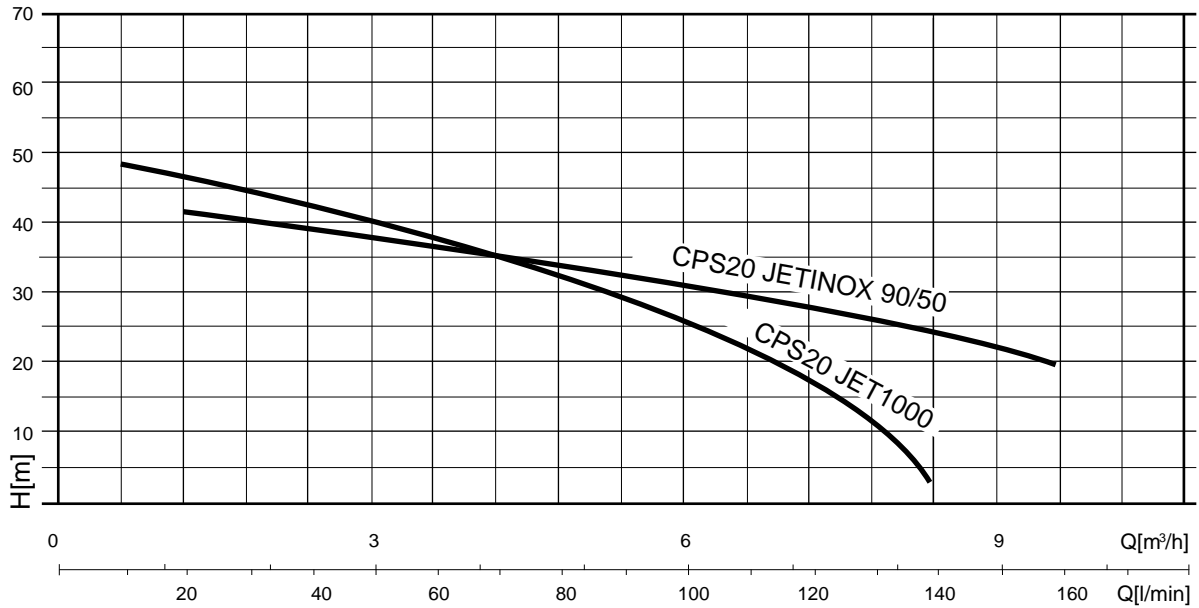
- N.2 brass ball valves
- N.2 check valves
- manometer
- n.2 pressure sensors

Protection panel with magnetothermic switches.

NOCCHI CPS20 JET - JETINOX

TWIN PUMP BOOSTER SETS - VARIABLE SPEED

HYDRAULIC PERFORMANCE



PUMP PERFORMANCE

MODEL	P1		Volt	In (A)	Q	L/1'	20	40	60	80	100	120	140	160
	HP	kW					m³/h	1,2	2,4	3,6	4,8	6	7,2	8,4
CPS20-JETINOX90/50	2x2	2x1,5	1 - 230	2x9	m.c.a./ m.c.w.		42	39	37	33	30	27	25	20
CPS20- JET 1000	2x1,5	2x1,1	1 - 230	2x7,7			44	41	37	32	25	15	3	

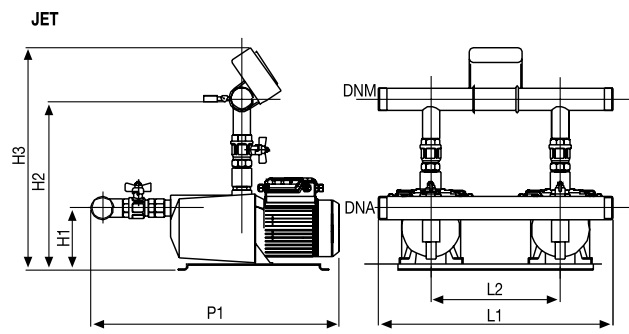
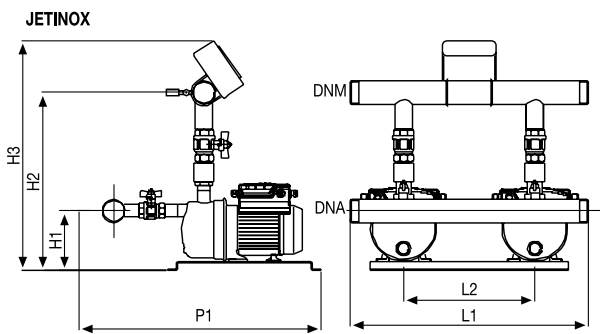


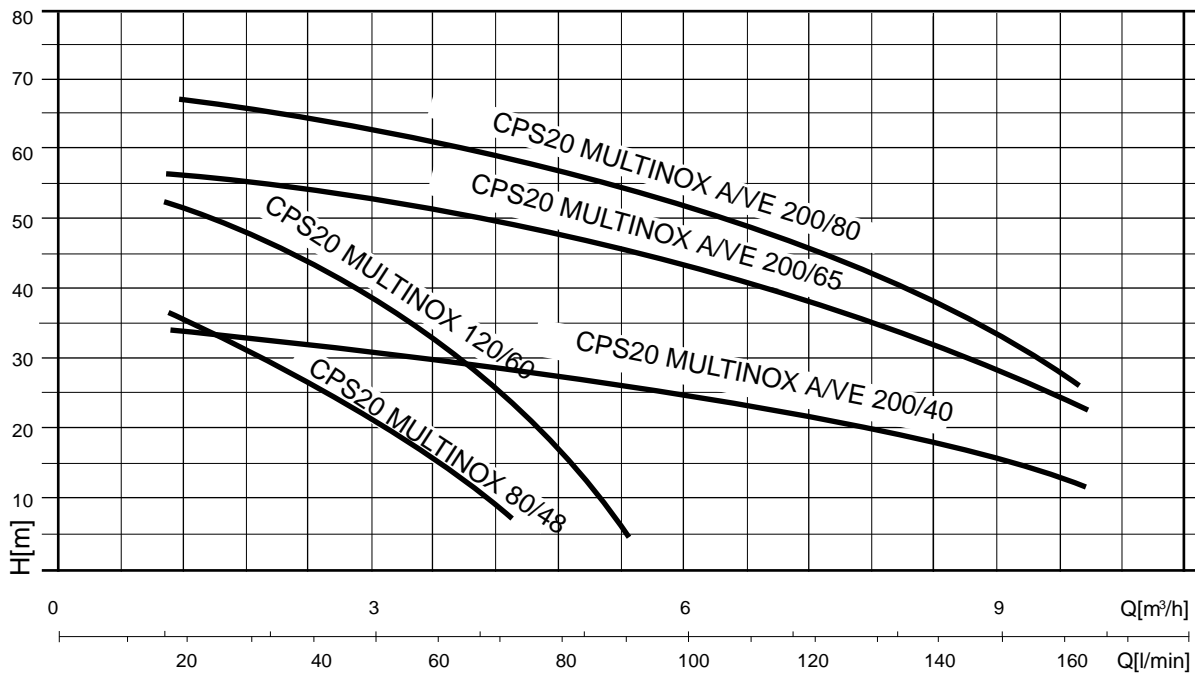
TABLE OF SIZES AND WEIGHTS

MODEL	Dimensions mm.								Weight Kg
	L1	L2	H1	H2	H3	P1	DNA	DNM	
CPS20 JETINOX90/50	460	320	40	243	450	740	2"	2"	70
CPS20 JET 1000	670	370	165	465	500	690	2"	2"	65

NOCCHI CPS20 MULTINOX

TWIN PUMP BOOSTER SETS - VARIABLE SPEED

HYDRAULIC PERFORMANCE



PUMP PERFORMANCE

MODEL	P1		Volt	In (A)	Q	L/1'	40	80	120	160	200	280	360
	HP	kW					m³/h	2,4	4,8	7,2	9,6	12,0	16,8
CPS20/MULTINOX 80/48	2x1,1	2x0,8	1 - 230	2x6,5	m.c.a./m.c.w.	37	29	20	9				
CPS20/MULTINOX 120/60	2x1,7	2x1,25	1 - 230	2x8,5		53	46	36	25	4			
CPS20/MULTINOX-A 200/40	2x1,6	2x1,2	1 - 230	2x8,7		34	33	32	29	27	21	13	
CPS20/MULTINOX-A 200/65	2x2,7	2x2	1 - 230	2x14,4		56	57	54	49	46	37	22	
CPS20/MULTINOX-A 200/80	2x3,1	2x2,3	1 - 230	2x15,5		67	65,5	64	60	55	43	26	
CPS20/MULTINOX-VE 200/40	2x1,6	2x1,2	1 - 230	2x8,7		34	33	32	29	27	21	13	
CPS20/MULTINOX-VE 200/65	2x2,7	2x2	1 - 230	2x14,4		56	57	54	49	46	37	22	
CPS20/MULTINOX-VE 200/80	2x3,1	2x2,3	1 - 230	2x15,5		67	65,5	64	60	55	43	26	

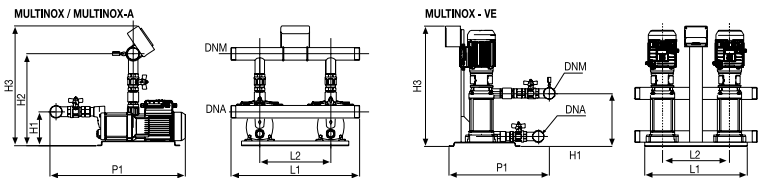


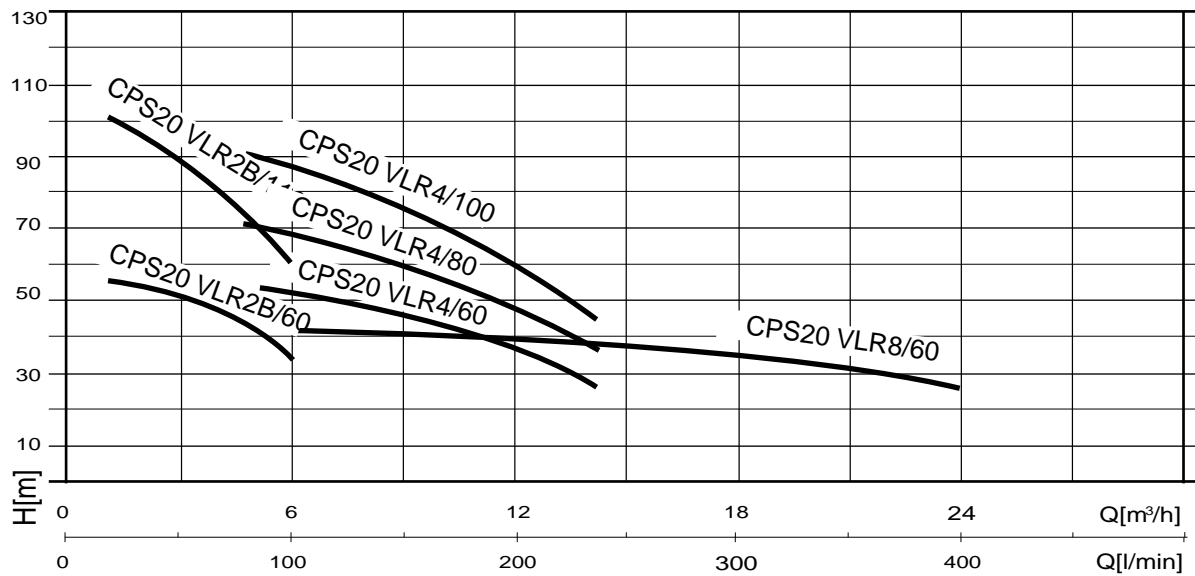
TABLE OF SIZES AND WEIGHTS

MODEL	Dimensions mm.								Weight Kg
	L1	L2	H1	H2	H3	P1	DNA	DNM	
CPS20/MULTINOX 80/48	570	310	170	430	660	650	1 1/2"	1 1/2"	45
CPS20/MULTINOX 120/60	570	310	170	440	660	660	1 1/2"	1 1/2"	50
CPS20/MULTINOX-A 200/40	650	370	170	485	690	690	2"	2"	70
CPS20/MULTINOX-A 200/65	670	370	170	485	690	695	2"	2"	75
CPS20/MULTINOX-A 200/80	670	370	170	485	690	725	2"	2"	83
CPS20/MULTINOX-VE 200/40	460	320	40	183	450	740	2"	2"	60
CPS20/MULTINOX-VE 200/65	460	320	40	243	450	740	2"	2"	70
CPS20/MULTINOX-VE 200/80	460	320	40	260	450	740	2"	2"	79

NOCCHI CPS20 VLR

TWIN PUMP BOOSTER SETS - VARIABLE SPEED

HYDRAULIC PERFORMANCE



PUMP PERFORMANCE

MODEL	P1		Volt	In (A)	Q	L/1'	20	40	60	80	100	120	160	200	240	320	350	400
	HP	kW					m³/h	1,2	2,4	3,6	4,8	6,0	7,2	9,6	12,0	14,4	19,2	21,0
CPS20-VLR2B/60	2x0,752	2x1,0	1 ~ 230	2x6,5	m.c.a./m.c.w.	54	51	46	39	30								
CPS20-VLR2B/110	2x1,5	2x1,1	1 ~ 230	2x10,5		100	94	85	72	55								
CPS20/VLR 4-60	2x1,5	2x1,1	1 ~ 230	2x1 0,4					53	51	49	44	36	27				
CPS20/VLR 4-80	2x1,5	2x1,1	1 ~ 230	2x1 4,2					71	69	66	58	49	35				
CPS20/VLR4-100	2x3	2x2,2	1 ~ 230	2x15,4					89	86	82	73	61	44				
CPS20/VLR 8-40	2x2	2x1,5	1 ~ 230	2x14,2						41	40	39	38	35	32	27	22	

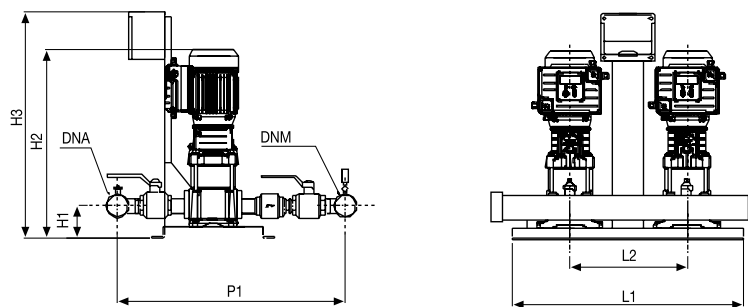


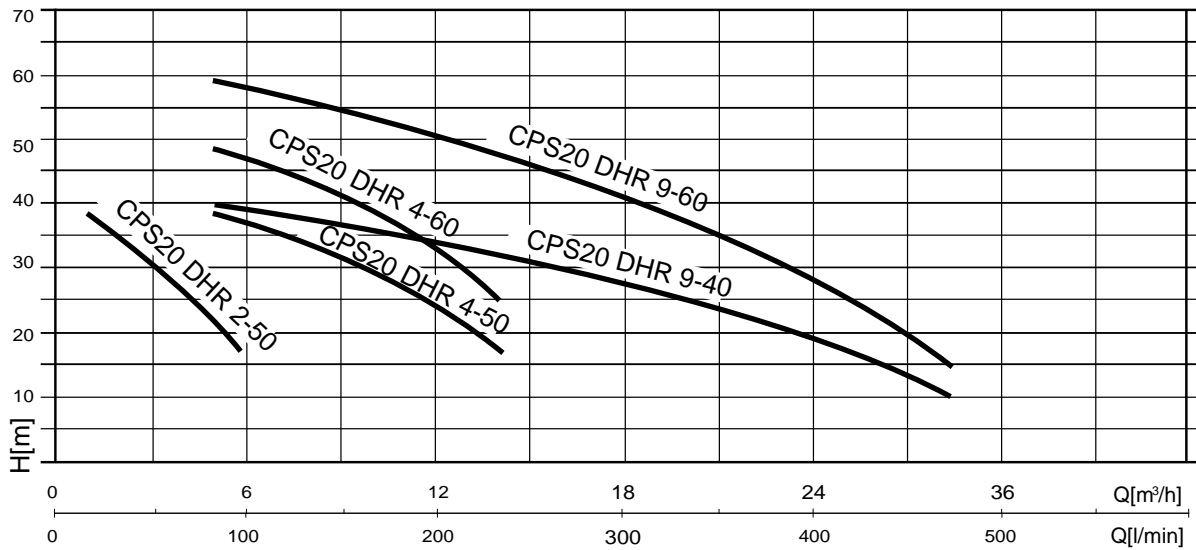
TABLE OF SIZES AND WEIGHTS

MODEL	Dimensions mm.								Weight Kg
	L1	L2	H1	H2	H3	P1	DNA	DNM	
CPS20-VLR2B/60	600	370	80	633	700	620	2"	2"	60
CPS20-VLR2B/110	600	370	80	723	700	620	2"	2"	60
CPS20/VLR 4-60	600	370	75	687	810	660	2"	2"	70
CPS20/VLR 4-80	600	370	75	788	810	660	2"	2"	73
CPS20/VLR4-100	600	370	75	842	810	660	2"	2"	89
CPS20/VLR 8-40	620	370	100	785	820	700	2" 1/2	2" 1/2	110

NOCCHI CPS20 DHR

TWIN PUMP BOOSTER SETS - VARIABLE SPEED

HYDRAULIC PERFORMANCE



PUMP PERFORMANCE

MODEL	P1		Volt	In (A)	Q	L/1'	20	40	60	80	100	120	160	200	240	320	400	480
	HP	kW					1,2	2,4	3,6	4,8	6,0	7,2	9,6	12,0	14,4	19,2	24,0	28,8
CPS20/DHR 2-50	2x1	2x1,0	1 ~ 230	2x5,5	m.c.a./m.c.w.		39	35	30	23	17							
CPS20/DHR 4-50	2x1,7	2x1,1	1 ~ 230	2x10,6						39	38	35	31	25	17			
CPS20/DHR 4-60	2x2,15	2x1,1	1 ~ 230	2x9,5						49	47	45	41	34	25			
CPS20/DHR 9-40	2x2,15	2x1,1	1 ~ 230	2x9,5						40	39	38	38	35	33	27	19	10
CPS20/DHR 9-60	2x3,35	2x2,2	1 ~ 230	2x15,8						60	58	57	56	53	49	40	29	14

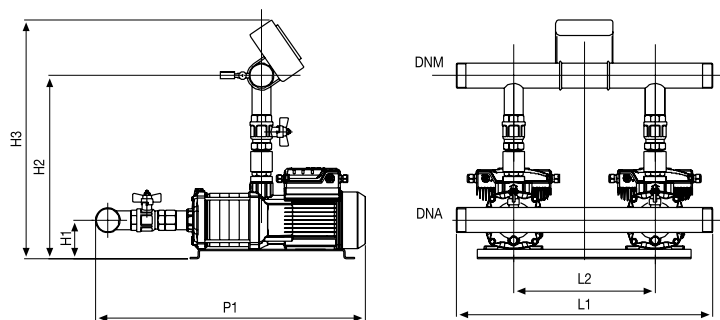


TABLE OF SIZES AND WEIGHTS

MODEL	Dimensions mm.								Weight Kg
	L1	L2	H1	H2	H3	P1	DNA	DNM	
CPS20/DHR 2-50	670	370	100	365	585	700	2"1/2	2"	57
CPS20/DHR 4-50	670	370	100	365	585	700	2"1/3	2"	62
CPS20/DHR 4-60	670	370	100	365	585	700	2"1/4	2"	68
CPS20/DHR 9-40	670	370	100	400	620	700	2"1/5	2"	77
CPS20/DHR 9-60	670	370	100	400	620	700	2"1/2	2"	89