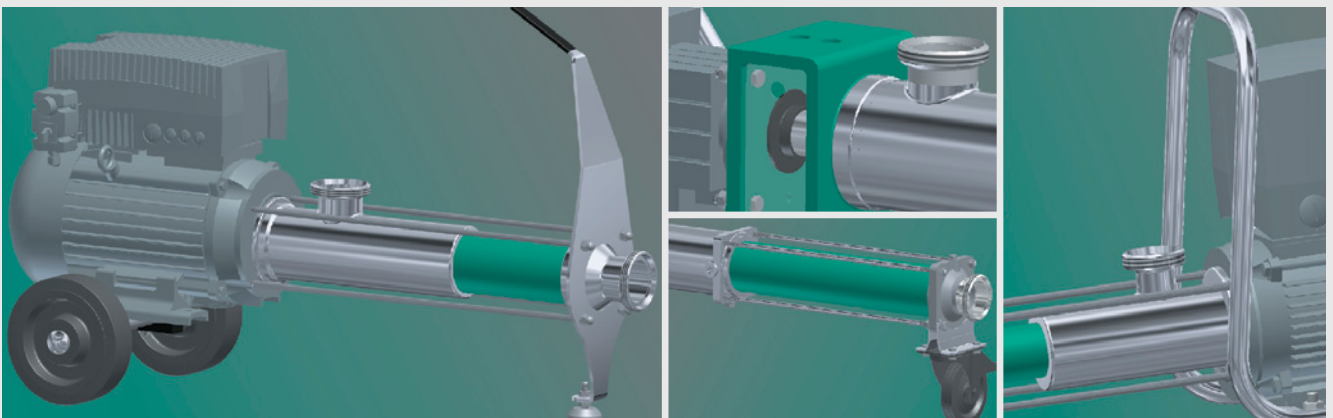


Mobile NEMO® Beverage Pumps

The multipurpose solution



Mobile NEMO® Beverage Pumps

Features and Product Range Overview

The strength of the mobile NEMO® beverage pump is the universal use in wine-growing, wine production, sweet must production, breweries, distilleries and in beverage production.

Wide Range of Applications

The pumps are specifically used for products with the following characteristics:

- Low to high viscosity
- Shear-sensitive
- High solids content (such as fruit pulp and stone fruit)
- Free of solids

Large Range of Capacities and Pressures

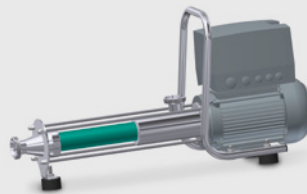
- Capacities from 500 up to 32,000 l/h
- Differential pressure up 4 (6) bar

Advantages

- Smooth and reliable conveyance due to low pump speed
- Infinitely variable flow rate by integrated speed control in drive by a frequency inverter
- Portable and mobile version provides flexibility
- Variable, modular design
- Contact parts completely in CrNiMo steel
- Stator in food quality in FDA
- Connections according to DIN 11851 – a variety of other local connections available
- High suction capability
- Service friendly

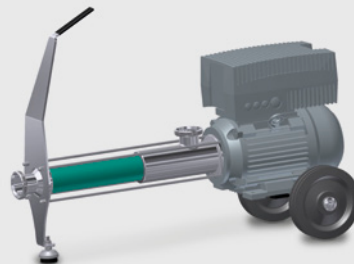
These advantages guarantee a smooth and reliable conveyance of fluids such as mash, raw products, concentrates, fruit and vegetable juices, nectar, sugar solution, syrup, whole grapes, must, sludge, yeast and wine.





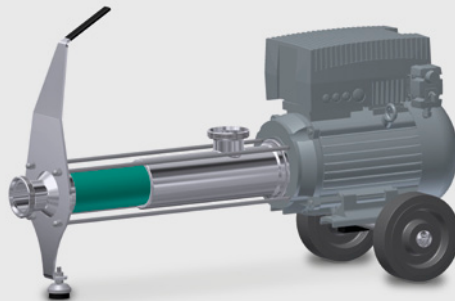
NEMO® beverage pump NM021

- Portable version
- Capacities from 500 up to 5,000 l/h
- Frequency 1.1 kW
- Connections DN32



NEMO® beverage pump NM031

- Mobile version
- Capacities from 1,500 up to 13,000 l/h
- Frequency 3.0 kW
- Connections DN50



NEMO® beverage pump NM041

- Mobile version
- Capacities from 3,000 up to 13,000 l/h
- Frequency 4.0 kW
- Connections DN65



NEMO® beverage pump NM051

- Mobile version
- Capacities from 10,000 up to 32,000 l/h
- Frequency 5.5 kW
- Connections DN80

NETZSCH



motralec

4 rue Lavoisier . ZA Lavoisier . 95223 HERBLAY CEDEX

Tel. : 01.39.97.65.10 / Fax. : 01.39.97.68.48

Demande de prix / e-mail : service-commercial@motralec.com

www.motralec.com