

MP PUMPS, INC.

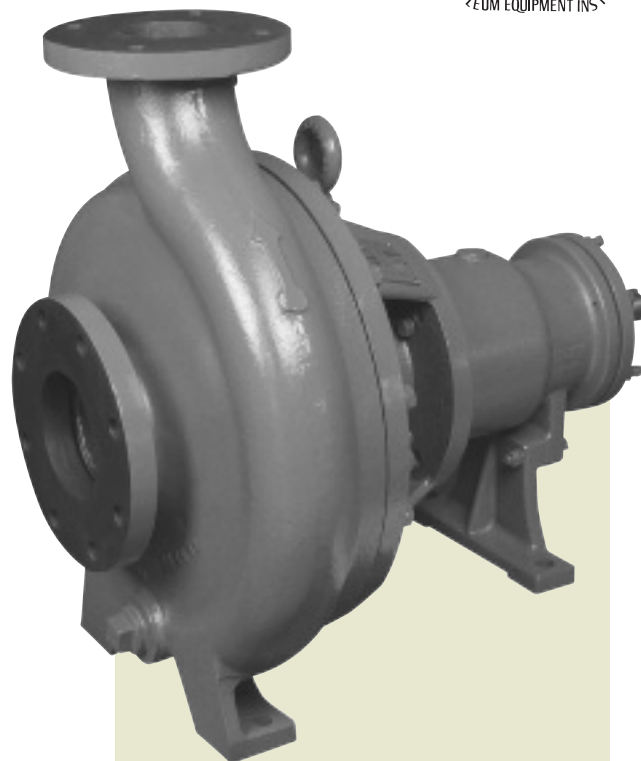
PETROLEUM 700

End Suction Centrifugal Pump

Specifically designed for transfer of petroleum based fluids, MP's *Petroleum 700* series is available in three (3) distinct models: **SO 700**, **SG 700** and **SE 700**.

Designed to close-couple to 256JP frame electric motors, the models are also available as *Pumpaks*. Additional mounting options include pedestal.

Pump rotation in 90° increments.



SPECIFICATIONS:

Suction and Discharge	4" x 3" NPT 150# Flange
Housing	SO 700.. Cast Iron, Ductile Iron (optional) SG 700.. Ductile Iron SE 700.. Ductile Iron
Impeller, Enclosed . . .	SO 700.. Cast Iron SG 700.. Aluminum SE 700.. Cast Iron
Mechanical Seal . . .	SO 700.. Type 21 Viton/Carbon/NiResist/SS SG 700.. Type 2 Viton/Carbon/Silicon Carbide/SS SE 700.. Type 2 Viton/Carbon/Silicon Carbide/SS
Gasket, Flange	Composite
Shaft Sleeve	Stainless Steel
Fasteners	Stainless Steel
Clamp, Shaft	Brass, Lead-Free

COMPATIBLE FOR:

- **SO 700** - Biodiesel, Fuel Oil, Diesel
- **SG 700** - Gasoline, Avgas, Kerosene, Jet A/8
- **SE 700** - Ethanol, E 85

MOUNTING OPTIONS:

- Pedestal Or Close Coupled To Nema C Face Motors
- **SO 700** - TEFC
 - **SG 700** - Explosion Proof Class 1 Group D
 - **SE 700** - Explosion Proof Class 1 Group D

PERFORMANCE TO:

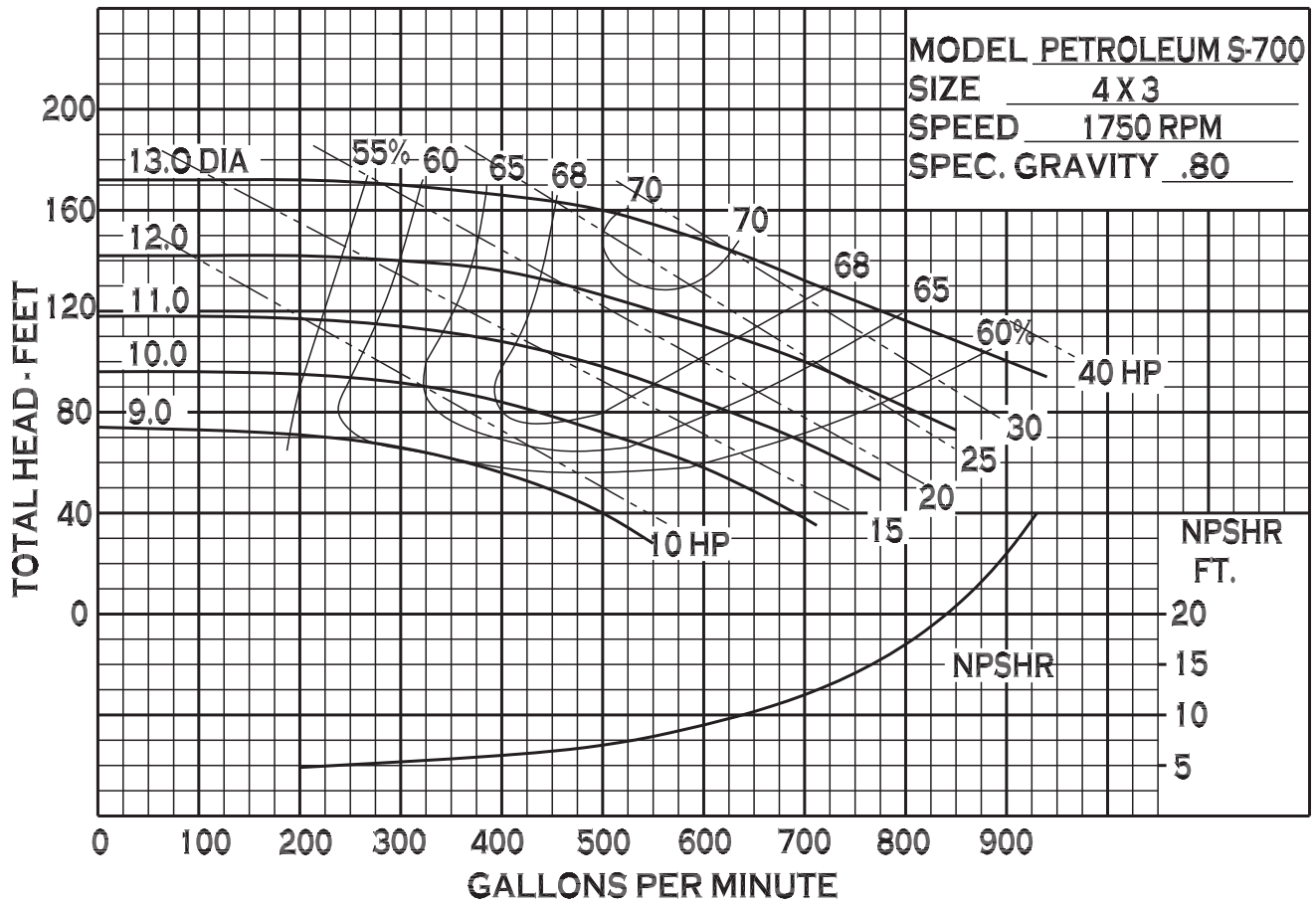
900 GPM 170 HD. FT. @ 1750 RPM

motralec

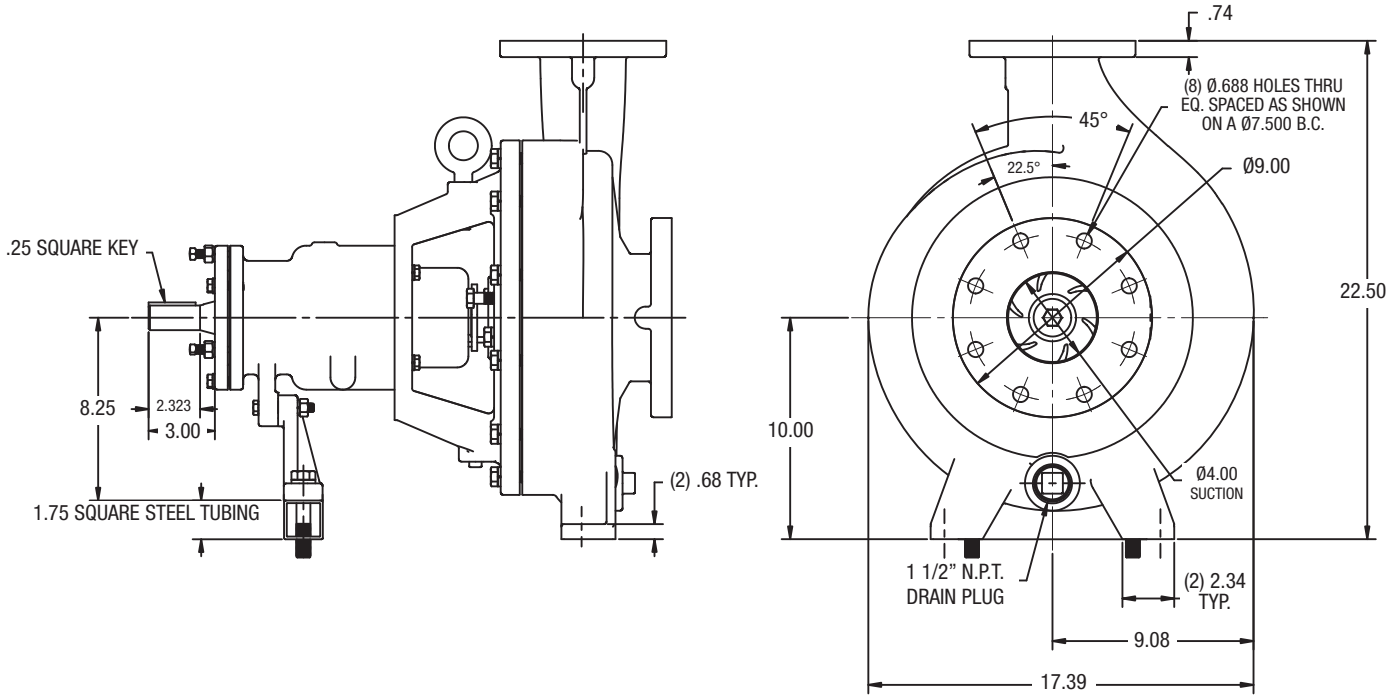
4 rue Lavoisier . ZA Lavoisier . 95223 HERBLAY CEDEX
Tel. : 01.39.97.65.10 / Fax. : 01.39.97.68.48
Demande de prix / e-mail : service-commercial@motralec.com

www.motralec.com

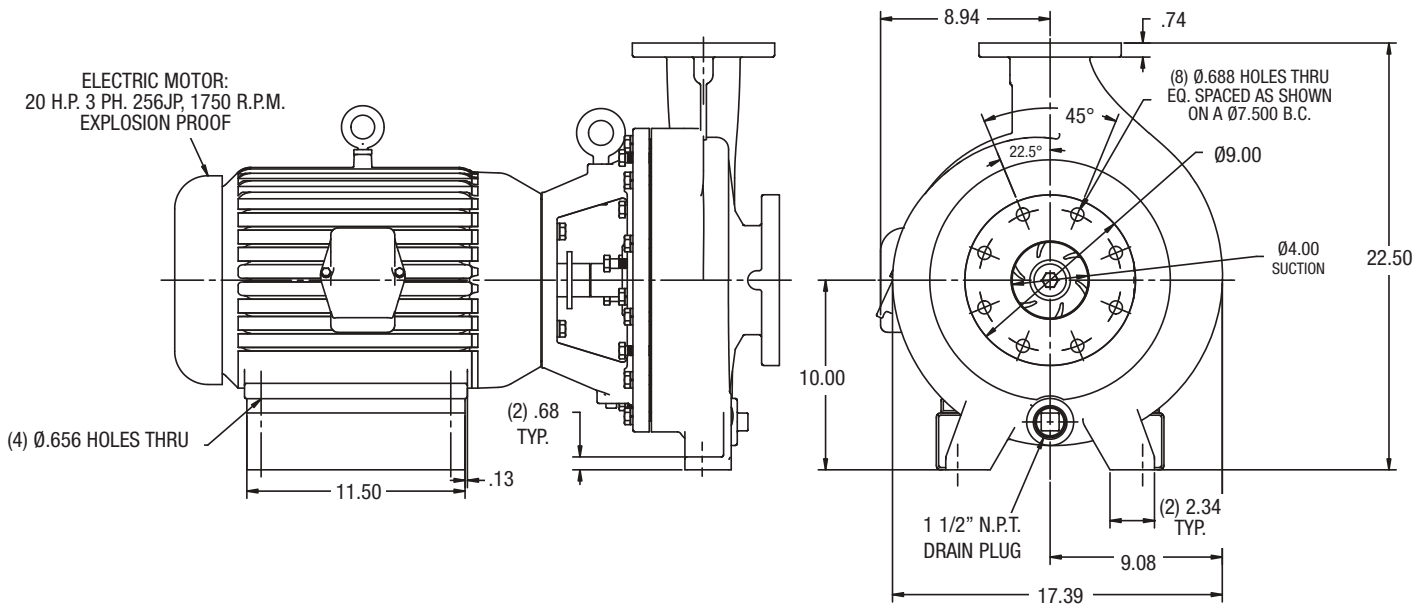
PETROLEUM 700



PEDESTAL-MOUNT



CLOSE COUPLED - ELECTRIC MOTOR



motralec

4 rue Lavoisier . ZA Lavoisier . 95223 HERBLAY CEDEX

Tel. : 01.39.97.65.10 / Fax. : 01.39.97.68.48

Demande de prix / e-mail : service-commercial@motralec.com

www.motralec.com