

MP PUMPS, INC.

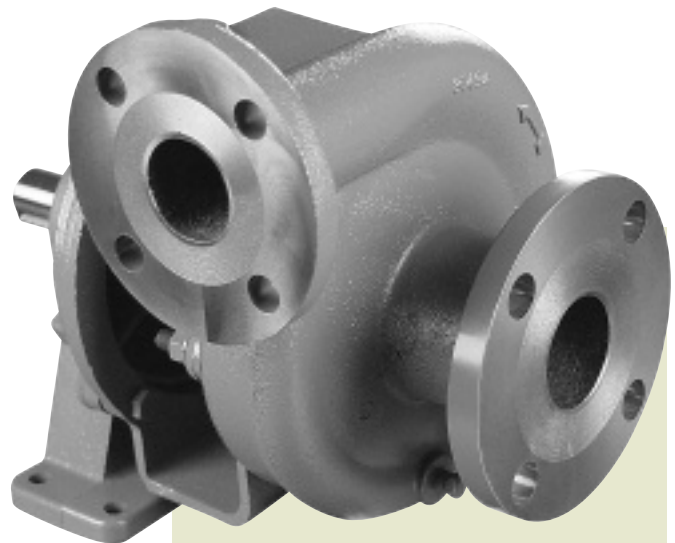
PETROLEUM 120

End Suction Centrifugal Pump

Specifically designed for petroleum based fluids, MP's *Petroleum 120* series is available in three (3) distinct models: **SO 120**, **SG 120** and **SE 120**.

Designed to close-couple to 184TC frame electric motors, the models are also available as *Pumpaks*. Additional mounting options include pedestal.

Pump rotation in 90° increments.



SPECIFICATIONS:

Suction and Discharge	2" x 1 1/2" NPT 150# Flange
Housing	SO 120.. Cast Iron, Ductile Iron (optional) SG 120.. Ductile Iron SE 120.. Ductile Iron
Impeller, Enclosed . . .	SO 120.. Cast Iron SG 120.. Aluminum SE 120.. Cast Iron
Mechanical Seal . . .	SO 120.. Type 21 Viton/Carbon/NiResist/SS SG 120.. Type 2 Viton/Carbon/Silicon Carbide/SS SE 120.. Type 2 Viton/Carbon/Silicon Carbide/SS
Gasket, Flange	Composite
Shaft Sleeve	Stainless Steel
Fasteners	Stainless Steel
Clamp, Shaft	Brass, Lead-Free

COMPATIBLE FOR:

- **SO 120** - Biodiesel, Fuel Oil, Diesel
- **SG 120** - Gasoline, Avgas, Kerosene, Jet A/8
- **SE 120** - Ethanol, E 85

MOUNTING OPTIONS:

Pedestal Or Close Coupled To Nema C Face Motors

- **SO 120** - TEFC
- **SG 120** - Explosion Proof Class 1 Group D
- **SE 120** - Explosion Proof Class 1 Group D

PERFORMANCE TO:

196 GPM 135 HD. FT. @ 3450 RPM

motralec

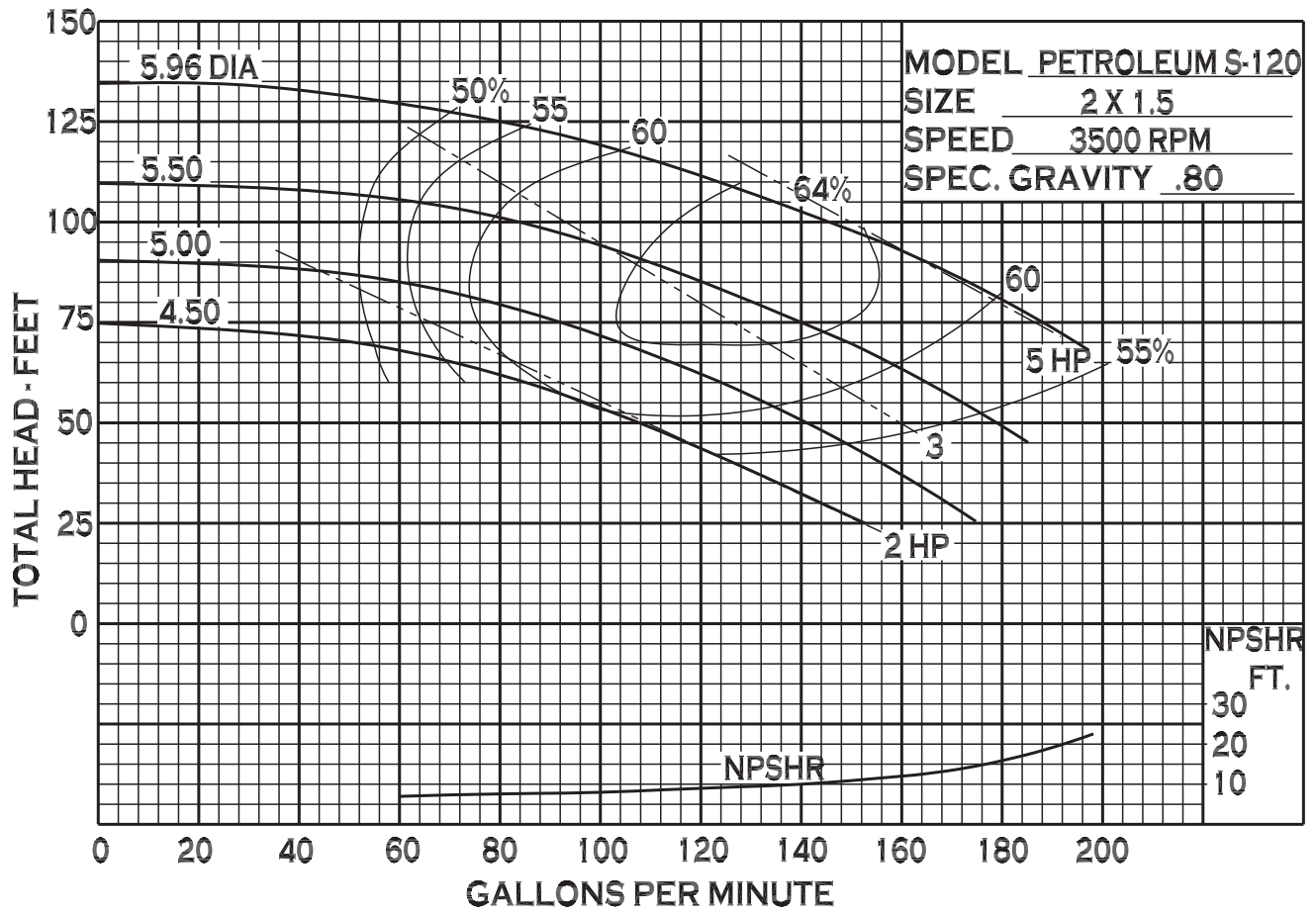
4 rue Lavoisier . ZA Lavoisier . 95223 HERBLAY CEDEX

Tel. : 01.39.97.65.10 / Fax. : 01.39.97.68.48

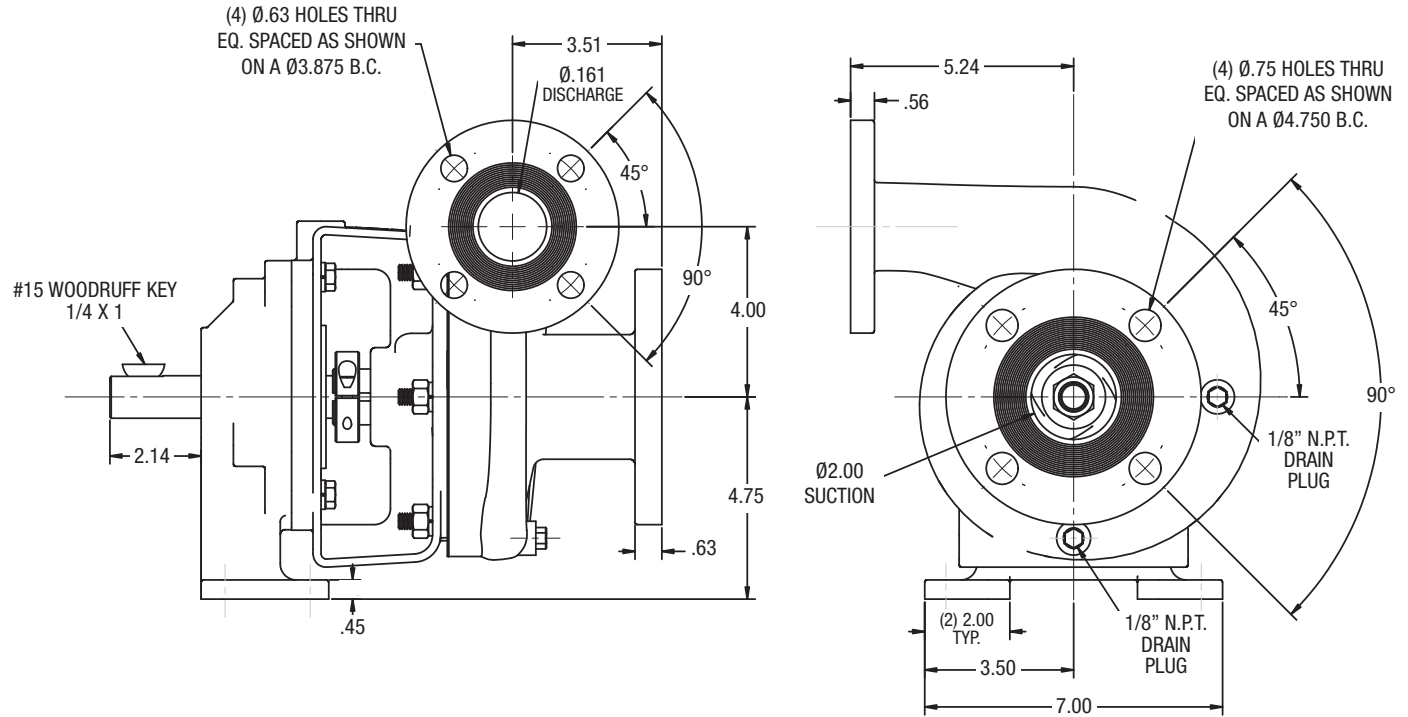
Demande de prix / e-mail : service-commercial@motralec.com

www.motralec.com

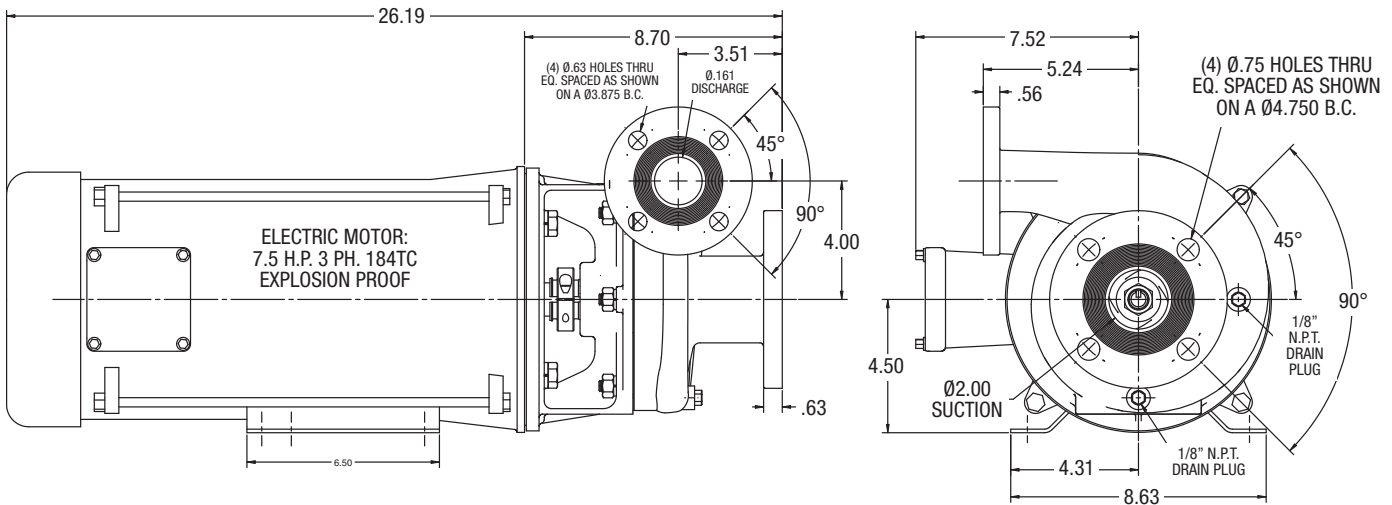
PETROLEUM 120



PEDESTAL-MOUNT



CLOSE COUPLED - ELECTRIC MOTOR



motralec

4 rue Lavoisier . ZA Lavoisier . 95223 HERBLAY CEDEX

Tel. : 01.39.97.65.10 / Fax. : 01.39.97.68.48

Demande de prix / e-mail : service-commercial@motralec.com

www.motralec.com