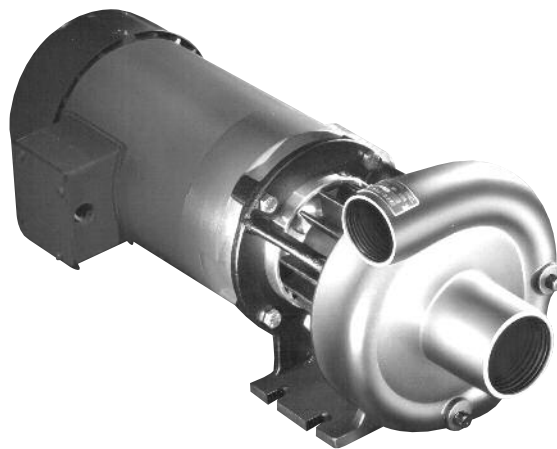


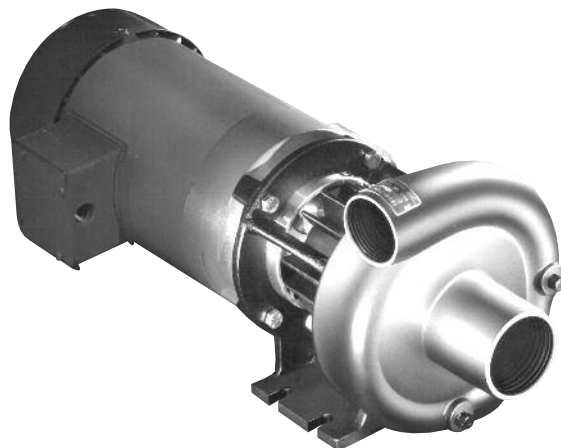
HTO 80 120 180 300

CENTRIFUGAL HOT OIL PUMP FEATURES

- APPLICATIONS: PLASTICS, CHEMICAL, FOOD, AND PROCESSING INDUSTRIES WHICH REQUIRE PUMPING OF HIGH TEMPERATURE FLUIDS
- UTILIZES AN ISOLATED SEAL CHAMBER, EFFECTIVELY COOLED BY A FAN CLAMP, WHICH COUPLES THE UNIT TO THE SHAFT OF A C-FRAME MOTOR
- STANDARD CARBON/SILICON CARBIDE MECHANICAL SEAL WITH VITON ELASTOMERS, STAINLESS STEEL FITTED
- CARBON GRAPHITE ISOLATOR BUSHING SEPARATES MECHANICAL SEAL FROM HIGH TEMPERATURE FLUIDS
- STAINLESS STEEL DRIVE SLEEVE AND ALUMINUM DRIVE CLAMP COUPLES PUMP UNIT TO MOTOR
- VERTICAL & HORIZONTAL DISCHARGE
- A UNIQUE CENTRIFUGAL PUMP (PATENTED) DESIGNED FOR HIGH TEMPERATURE APPLICATIONS WITHOUT REQUIRING EXTERNAL FLUSHES OR JACKET COOLING
- CAPACITIES - 10-500 GPM
- HEADS - UP TO 190' TDH
- TEMPERATURES - TO 650°F



HTO 80



HTO 120

MODEL	Suction	Discharge
HTO 80	1 1/2" NPT (Flange Option)	1 1/4" NPT (Flange Option)
HTO 120	2" NPT (Flange Option)	1 1/2" NPT (Flange Option)
HTO 180	3" ANSI 150 Flange	1 1/2" ANSI 150 Flange
HTO 300	3" ANSI 150 Flange	2 1/2" ANSI 150 Flange

motralec

4 rue Lavoisier . ZA Lavoisier . 95223 HERBLAY CEDEX

Tel. : 01.39.97.65.10 / Fax. : 01.39.97.68.48

Demande de prix / e-mail : service-commercial@motralec.com

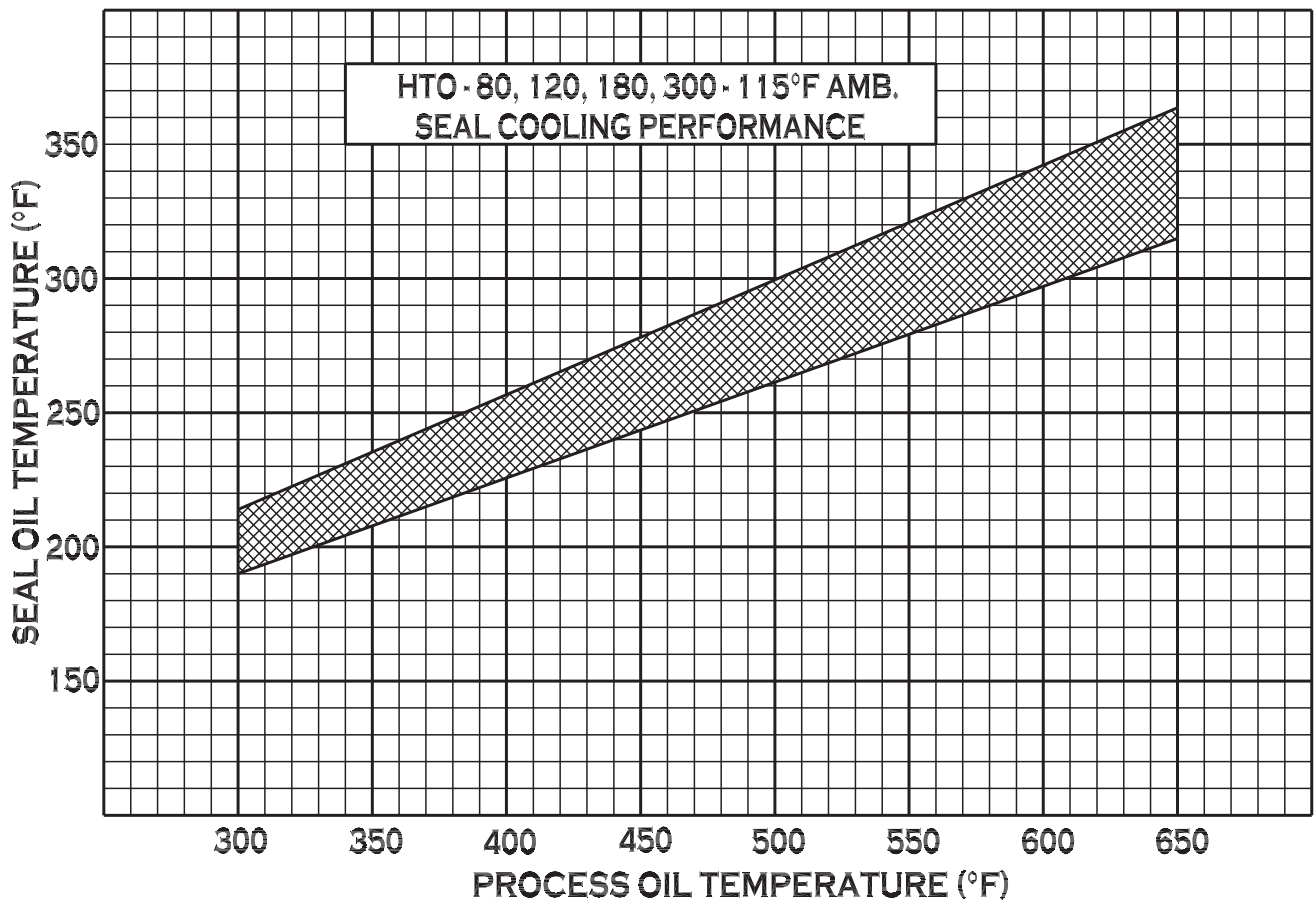
www.motralec.com



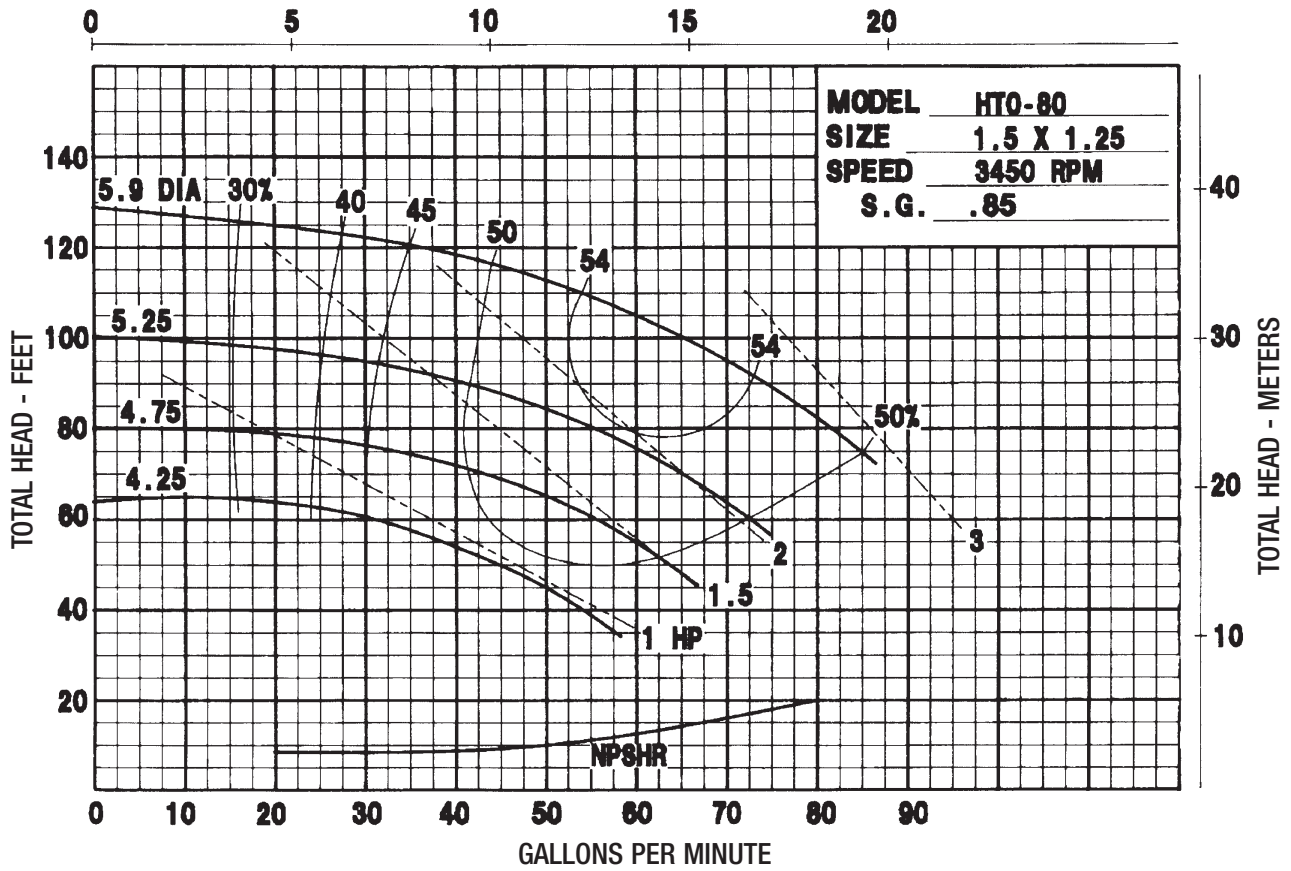
HTO 180



HTO 300

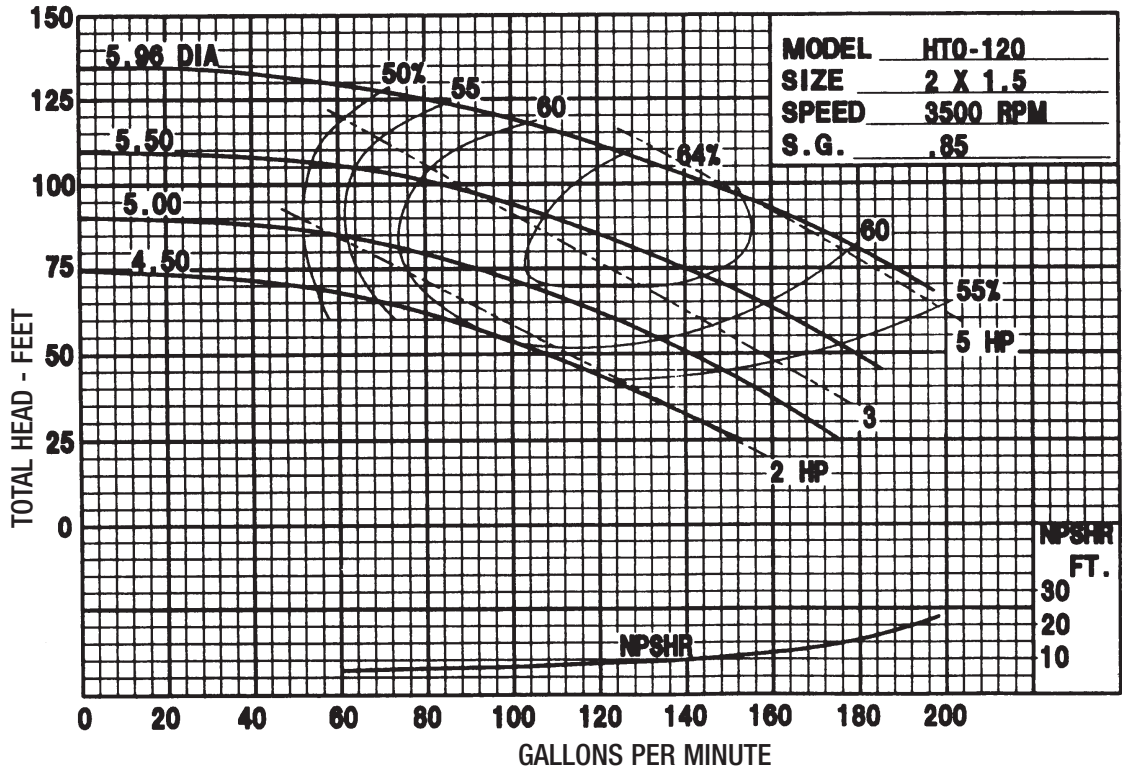


;47 -8.684)5+- ;8 <-9

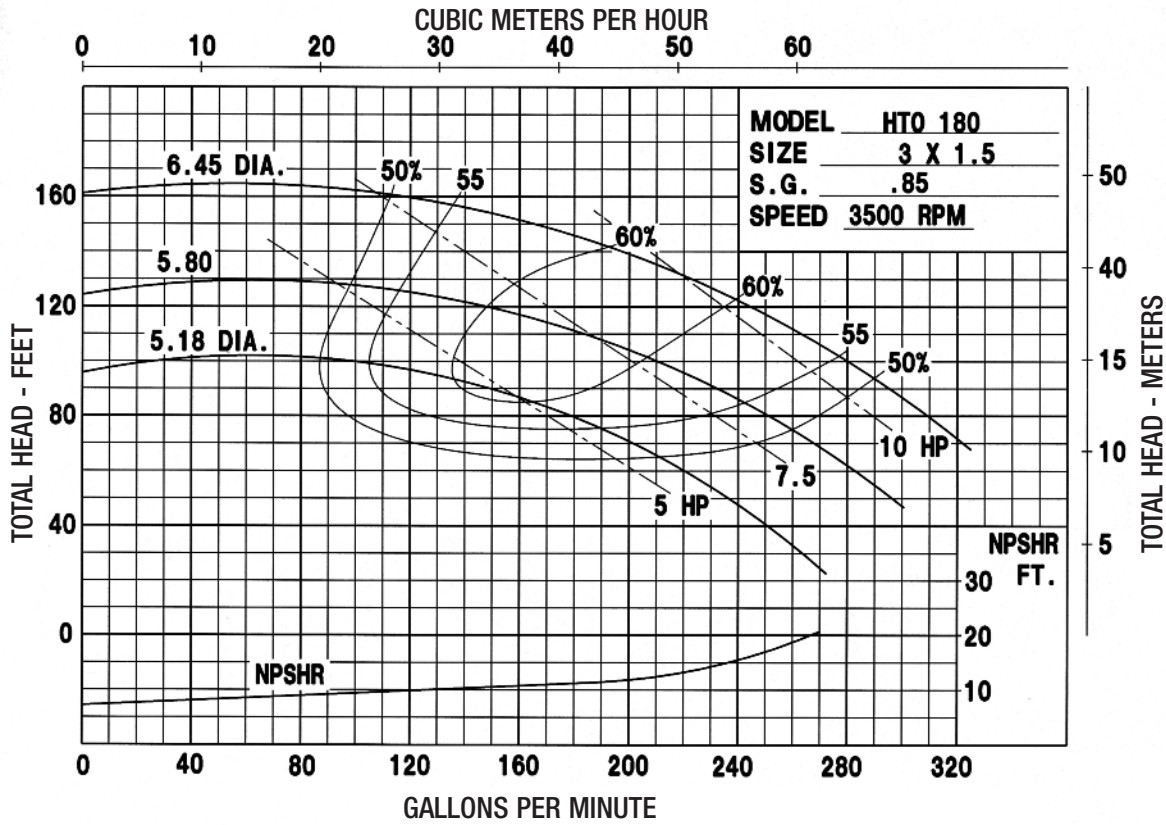


;;>0::B0=0<@4=08090/>@::9 >;0.412=A4?D. @7;4:9>9 -0 ,C48@8;0=,?49208;0=,?@4=0 K ,C48@8B:=642;=0>>@4=0 "%
 ;;740/1:=17@#?30>;0.412=A4?40>

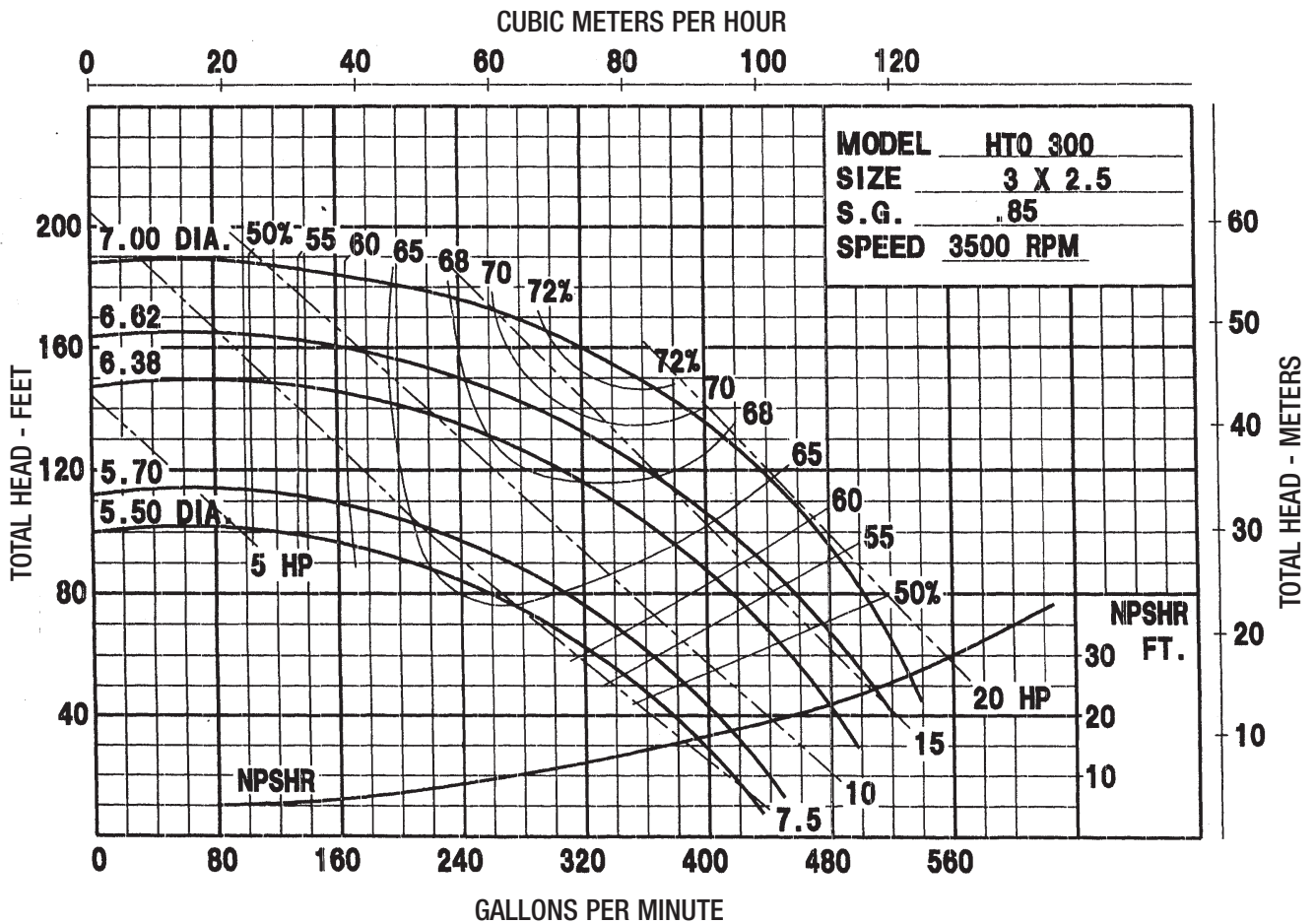
;47 -8.684)5+- ;8 <-9



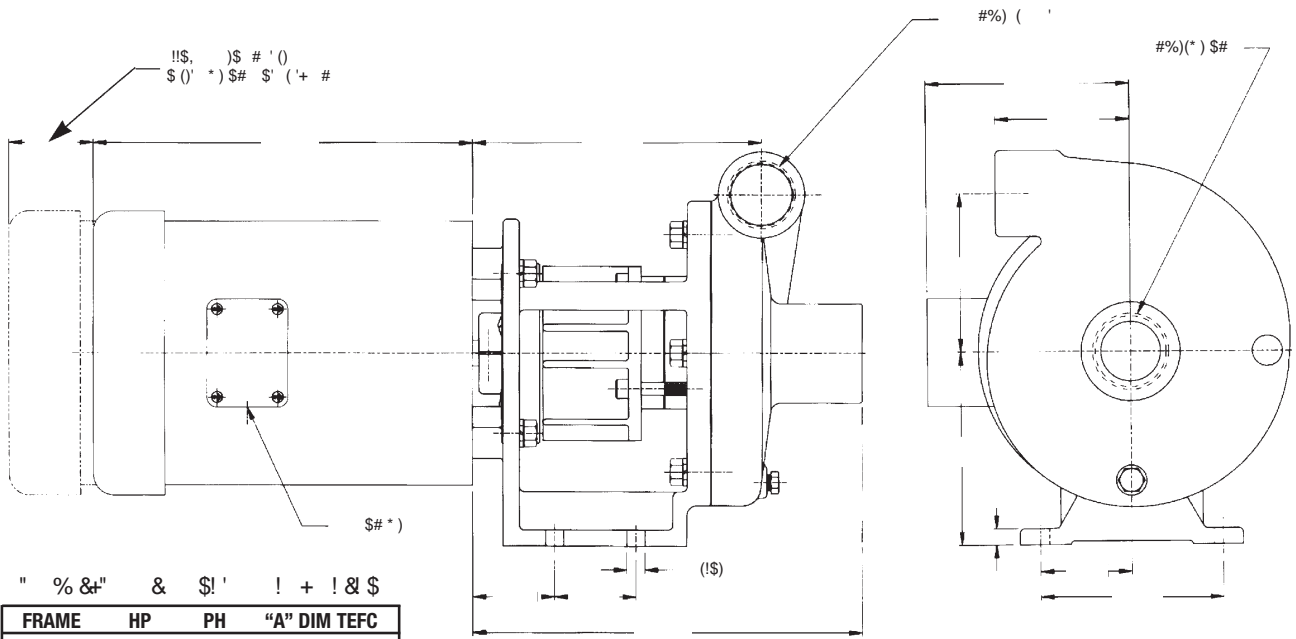
;47 -8684)5+ ;8<9



;47 -8684)5+ ;8<9

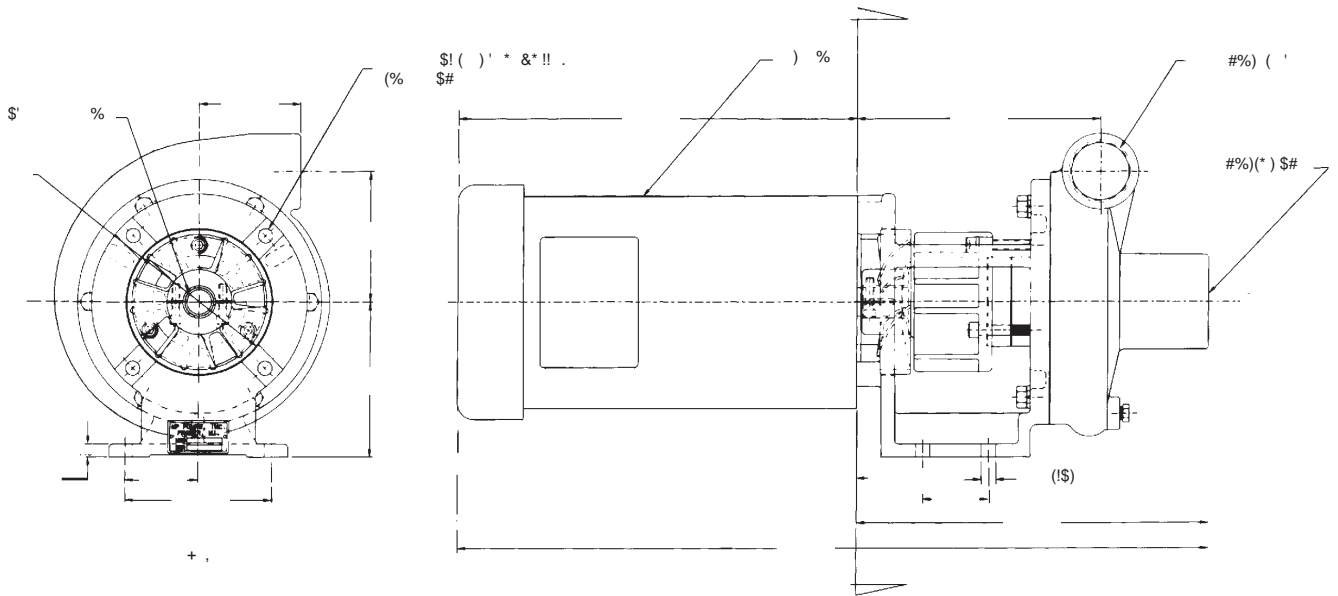


14-591659



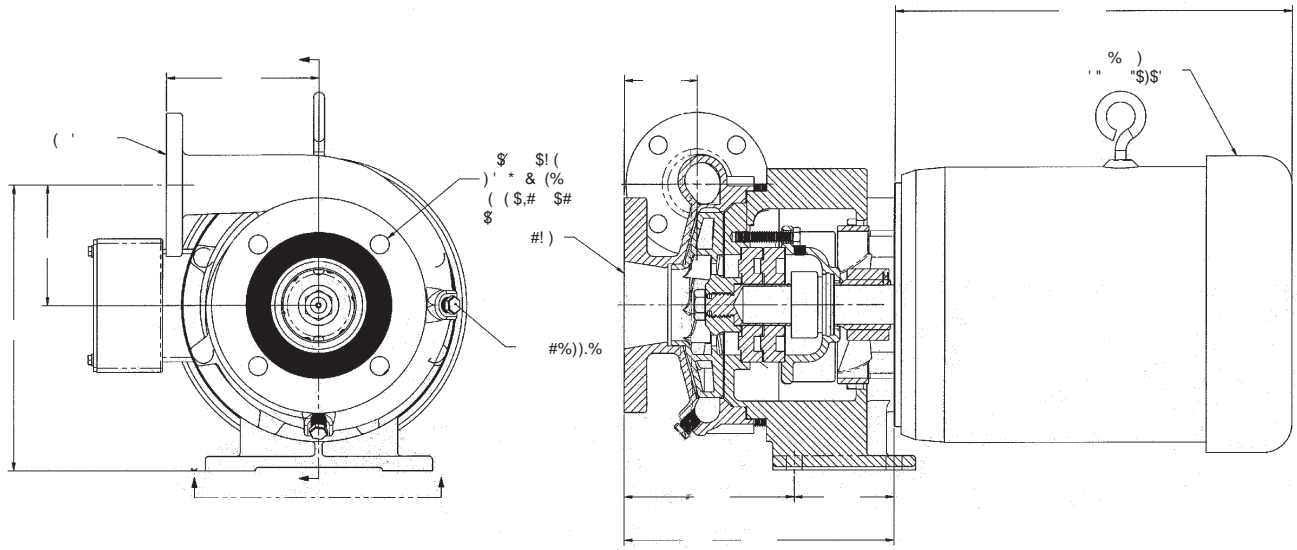
%?8;36849=6:94<>65661249=><?2>629;:=4=
":>: 36849=6:94;493499;:9 8:>:< 809?502?>4<

14-591659



%?8;36849=6:94<>65661249=><?2>629;:=4=
":>: 36849=6:94;493499;:9 8:>:< 809?502?>4<

14-591659



14-591659

