



# HTO 180

## 3" x 1 1/2"

# CENTRIFUGAL PUMP

### AIR COOLED – NO COOLING JACKET OR FLUSH REQUIRED

HTO 180 is a patented, unique centrifugal pump designed for high temperature applications, such as the plastics, chemical, food and processing industries. The pump can be used in horizontal or vertical positions and is available with or without an electric motor.

### PUMP SPECIFICATIONS

<b>Suction and Discharge</b> .....	3" x 1 1/2" 150# Flange
<b>Housing</b> .....	Ductile Iron
<b>Drive Sleeve</b> .....	303SS
<b>Standard Seal</b> .....	Carbon/Silicon Carbide and Viton
<b>Working Pressure</b> .....	150 psi (max)
<b>Temperature</b> .....	650°F (343°C) (max)

## CLOSE-COUPLED NEMA 184TC & 215TC

## 7-1/2 H.P. • 10 H.P.



## WARNING

Consult factory for applications approval and usage. Serious injury or death caused by burns from hot oil may occur.

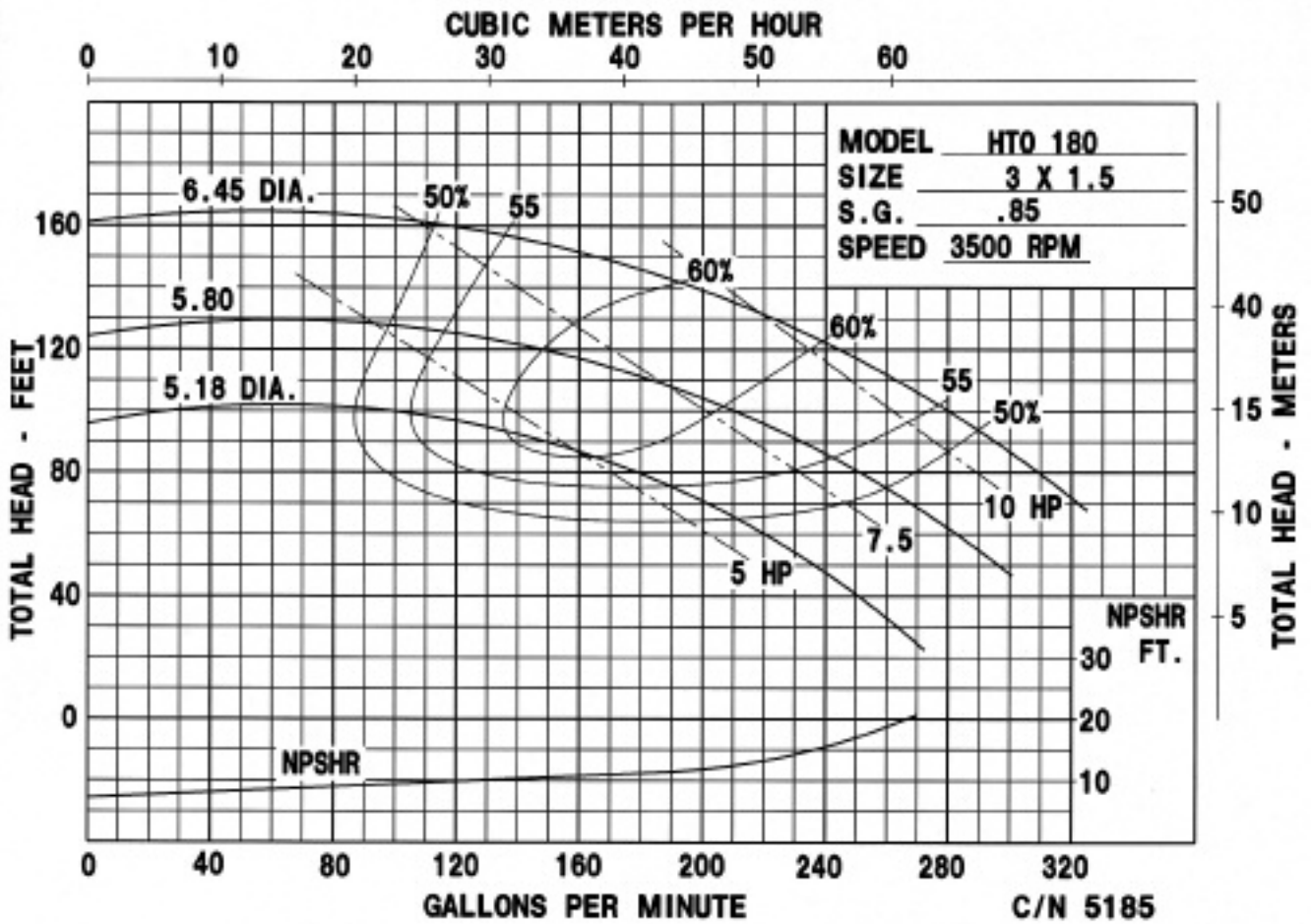
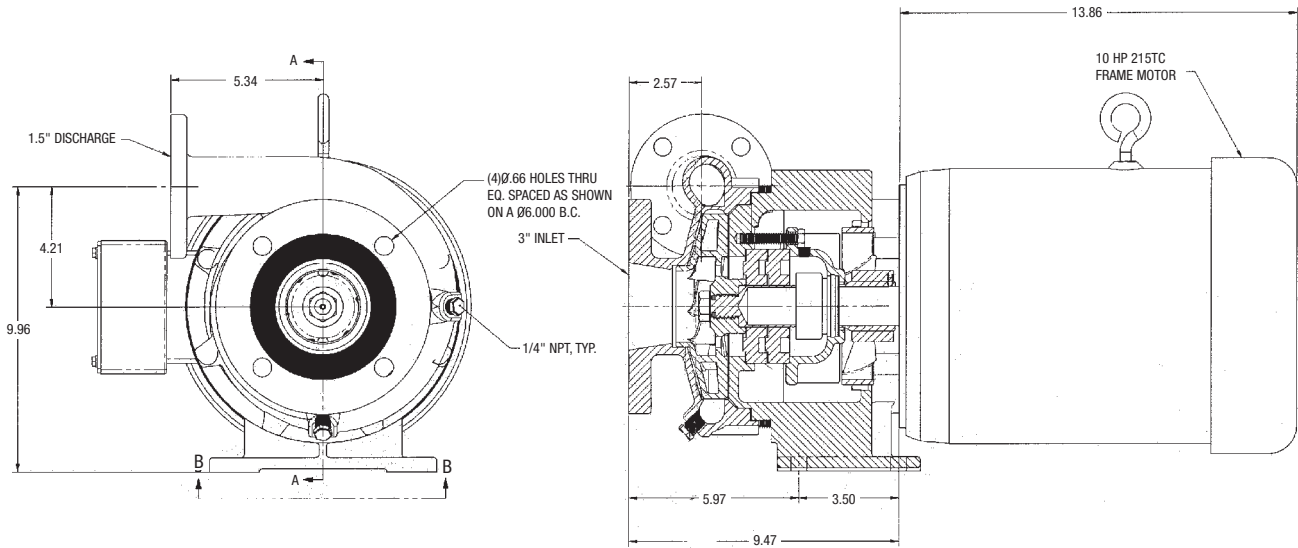
- Flows To 320 GPM
- Pressure To 162'
- Mounts Vertical Or Horizontal
- With Or Without Electric Motor
- Bearing Pedestal Available
- Optional Severe Duty Seal Available

**motralec**

4 rue Lavoisier . ZA Lavoisier . 95223 HERBLAY CEDEX  
Tel. : 01.39.97.65.10 / Fax. : 01.39.97.68.48  
Demande de prix / e-mail : service-commercial@motralec.com

[www.motralec.com](http://www.motralec.com)

# HTO 180



**motralec**

4 rue Lavoisier . ZA Lavoisier . 95223 HERBLAY CEDEX

Tel. : 01.39.97.65.10 / Fax. : 01.39.97.68.48

Demande de prix / e-mail : [service-commercial@motralec.com](mailto:service-commercial@motralec.com)

[www.motralec.com](http://www.motralec.com)