

# MP PUMPS, INC.

## FRX 125

### Centrifugal Pumps

The FRX 125 316 stainless steel centrifugal pump is ideal for hard-to-handle applications in the marine, commercial, and industrial markets.

All wetted components are 316 investment cast stainless steel providing superior corrosion resistance when pumping chemical compounds. A carbon, ceramic, viton bellows shaft seal is standard with optional seals available on request. The FRX 125 model is available with 1-1/4" x 1" NPT port configurations. Pump rotation in 90° increments.



#### Application:

- Marine
- Industrial
- Commercial

#### Construction:

- 316 Stainless Steel Investment Cast

#### C FACE 56J

#### Motor Options:

- TEFC

#### Port Sizes:

- 1-1/4" x 1" NPT

#### Seal:

- Carbon / Ceramic / Viton

### SPECIFICATIONS:

Housing . . . . .	316 Stainless Steel (Investment Cast)
Cover . . . . .	316 Stainless Steel (Investment Cast)
Impeller . . . . .	316 Stainless Steel Enclosed (Investment Cast)
Mechanical Seal . .	Carbon/Ceramic/Viton Bellows 150 PSI Special Seals Upon Request
O-ring . . . . .	Viton
Motor . . . . .	56J Single and Three Phase TEFC
Weight . . . . .	36 lbs.

**motralec**

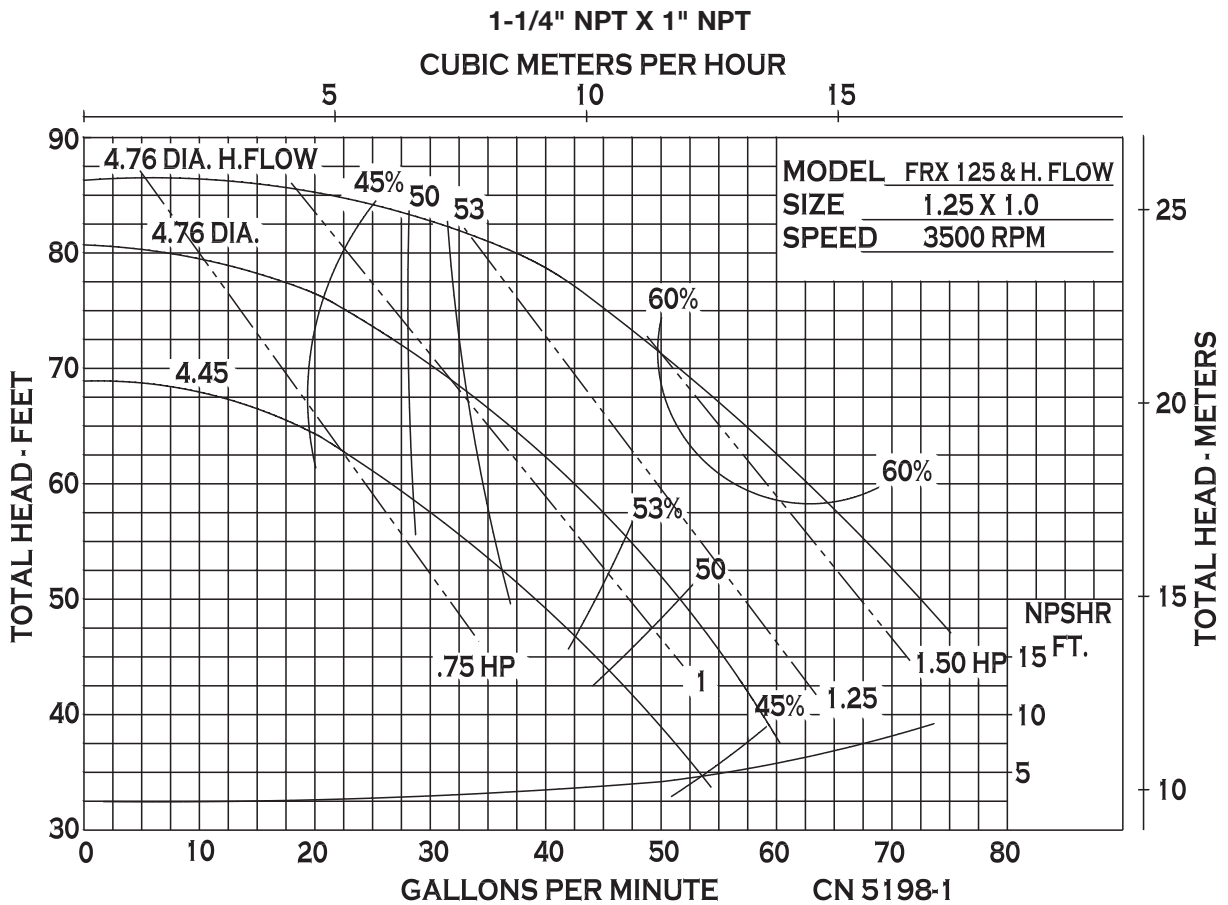
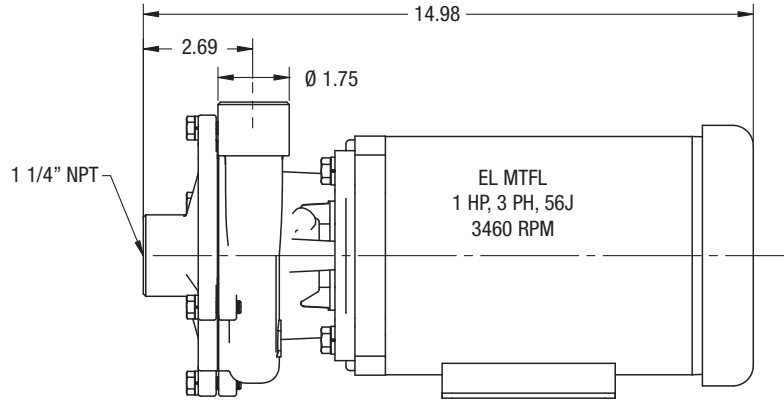
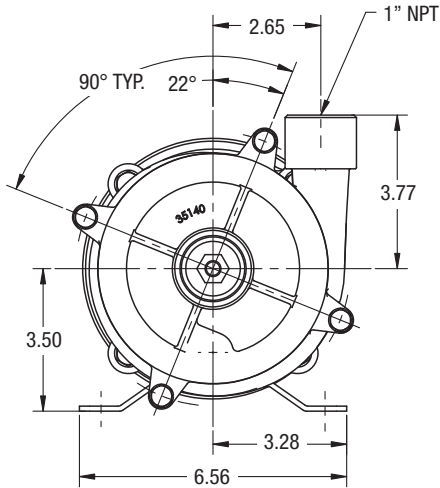
4 rue Lavoisier . ZA Lavoisier . 95223 HERBLAY CEDEX

Tel. : 01.39.97.65.10 / Fax. : 01.39.97.68.48

Demande de prix / e-mail : [service-commercial@motralec.com](mailto:service-commercial@motralec.com)

[www.motralec.com](http://www.motralec.com)

# FRX 125



**motralec**

4 rue Lavoisier . ZA Lavoisier . 95223 HERBLAY CEDEX  
Tel. : 01.39.97.65.10 / Fax. : 01.39.97.68.48  
Demande de prix / e-mail : [service-commercial@motralec.com](mailto:service-commercial@motralec.com)

[www.motralec.com](http://www.motralec.com)