

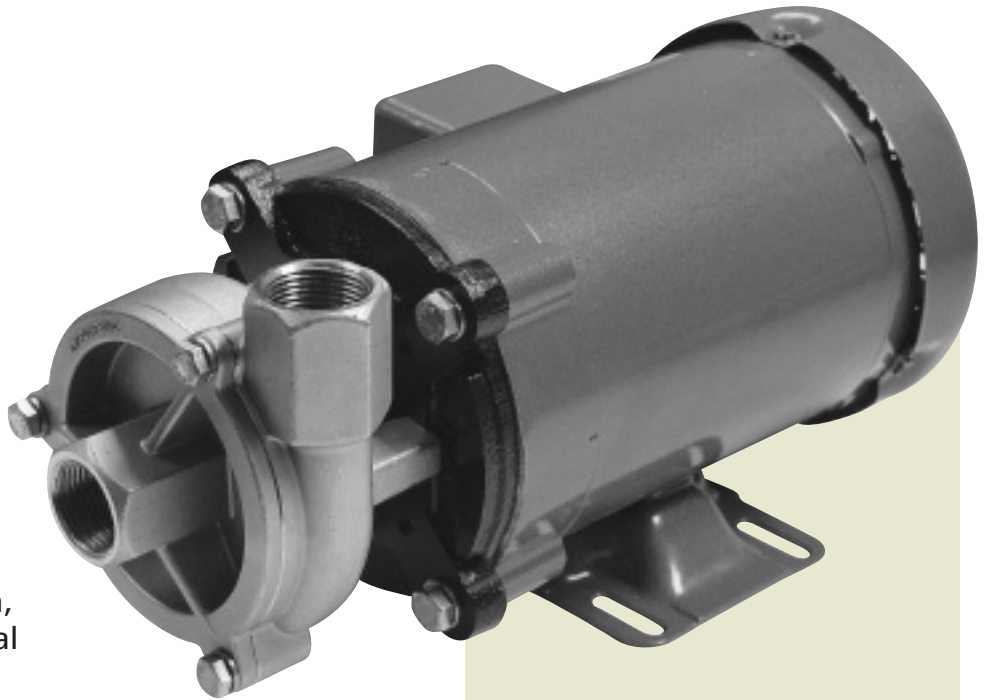
# MP PUMPS, INC.

## FRX 100

### Centrifugal Pump

The FRX 100 316 stainless steel centrifugal pump is ideal for hard-to-handle applications in the marine, commercial, and industrial markets.

All wetted components are 316 investment cast stainless steel providing superior corrosion resistance when pumping chemical compounds. A carbon, ceramic, viton bellows shaft seal is standard with optional seals available on request. The FRX 100 model is available with 1" NPT port configurations. Pump rotation in 90° increments.



#### SPECIFICATIONS:

<b>Housing</b> . . . . .	<b>316 Stainless Steel (Investment Cast)</b>
<b>Cover</b> . . . . .	<b>316 Stainless Steel (Investment Cast)</b>
<b>Impeller</b> . . . . .	<b>316 Stainless Steel Enclosed (Investment Cast)</b>
<b>Mechanical Seal</b> . .	<b>Carbon/Ceramic/Viton Bellows 150 PSI Special Seals Upon Request</b>
<b>O-ring</b> . . . . .	<b>Viton</b>
<b>Motor</b> . . . . .	<b>56J Single and Three Phase TEFC</b>
<b>Weight</b> . . . . .	<b>31 lbs.</b>

#### Application:

- Marine
- Industrial
- Commercial

#### Construction:

- 316 Stainless Steel Investment Cast

#### C FACE 56J

#### Motor Options:

- TEFC

#### Port Sizes:

- 1" NPT

#### Seal:

- Carbon / Ceramic / Viton

**motralec**

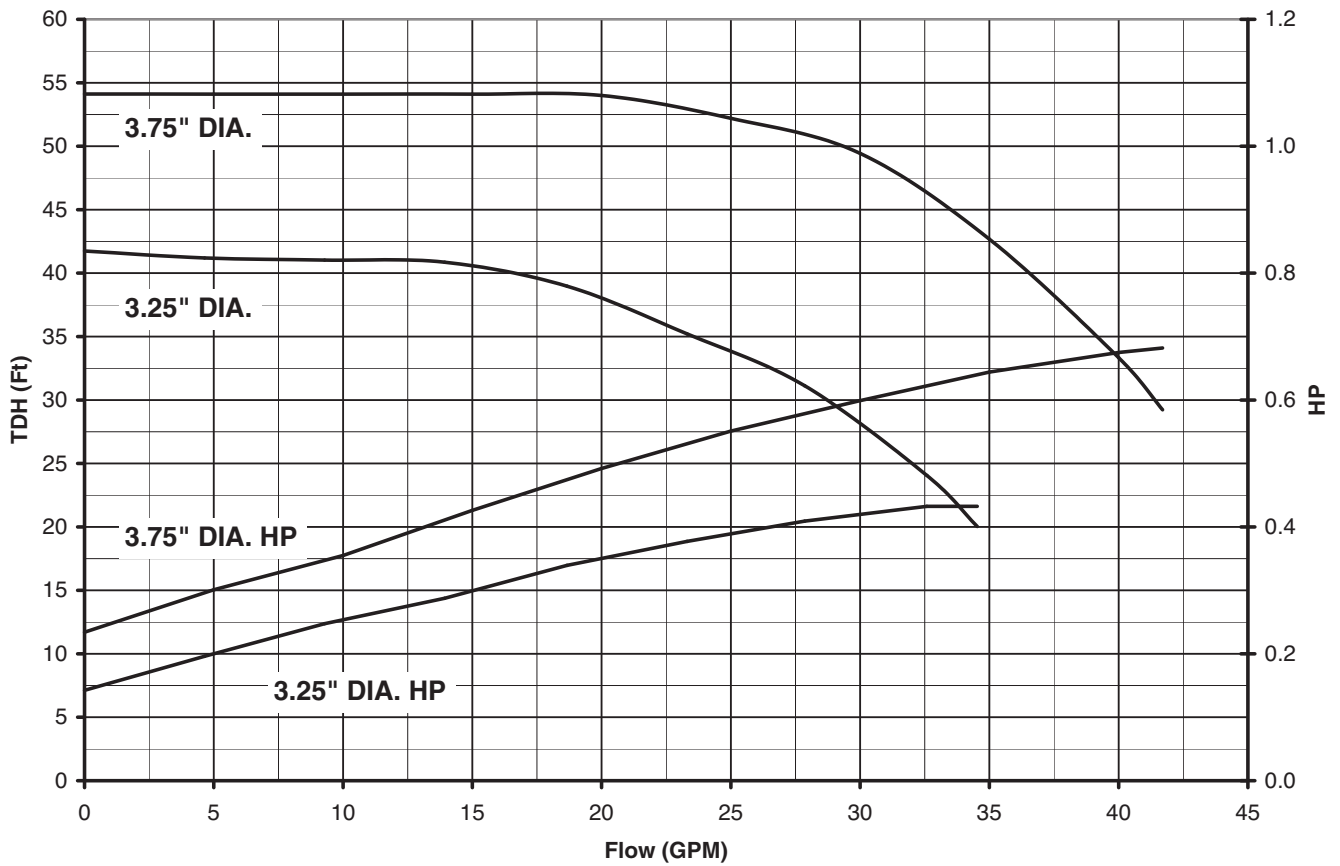
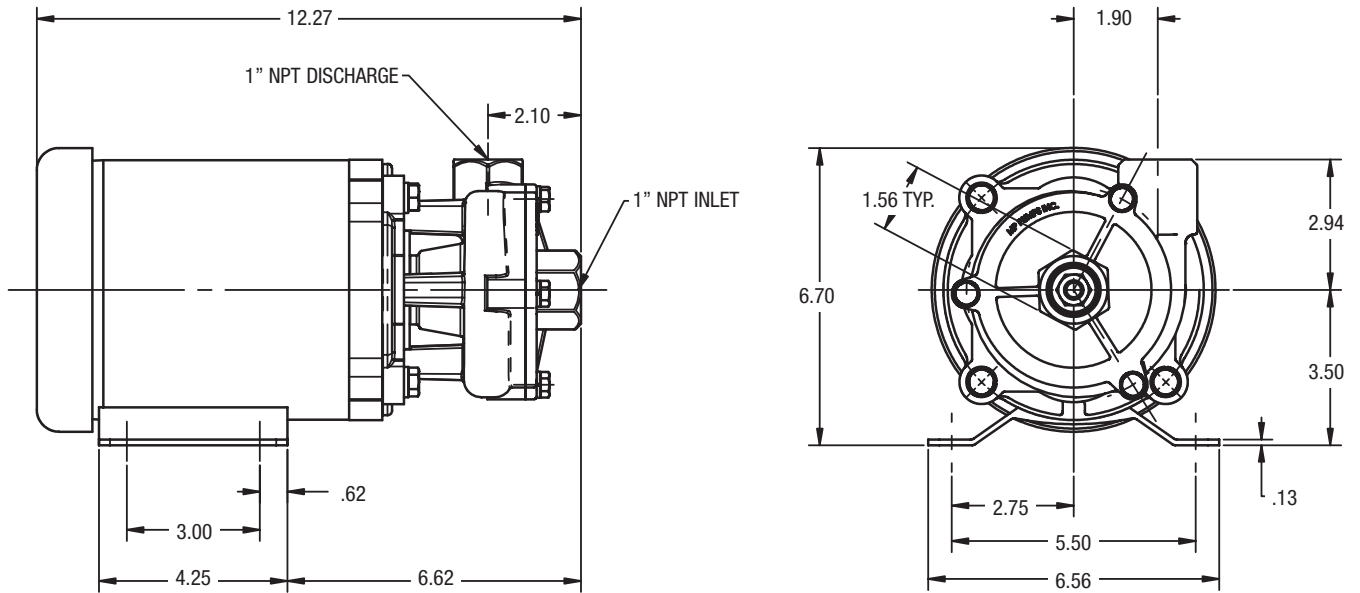
4 rue Lavoisier . ZA Lavoisier . 95223 HERBLAY CEDEX

Tel. : 01.39.97.65.10 / Fax. : 01.39.97.68.48

Demande de prix / e-mail : [service-commercial@motralec.com](mailto:service-commercial@motralec.com)

[www.motralec.com](http://www.motralec.com)

# FRX 100



**motralec**

4 rue Lavoisier . ZA Lavoisier . 95223 HERBLAY CEDEX  
 Tel. : 01.39.97.65.10 / Fax : 01.39.97.68.48  
 Demande de prix / e-mail : [service-commercial@motralec.com](mailto:service-commercial@motralec.com)

[www.motralec.com](http://www.motralec.com)