

# FLOMAX 10

## 2" x 2" SELF PRIMING CENTRIFUGAL PUMP

FLOMAX 10 self-priming centrifugal pump is designed to fit standard NEMA "C" frame motors with standard armature shafts. The PUMPAK is completely assembled and can be mounted to a standard motor in minutes.

FLOMAX 10 is made in bronze, aluminum, or cast iron construction to suit a wide variety of liquids. All fasteners are stainless steel to reduce corrosion. Impellers are balanced and trimmed to insure non-overloading conditions. Standard stainless steel and Viton mechanical seal is self-adjusting and corrosion resistant to handle many different liquids. Special seals, optional EPDM gaskets and check valves are also available. Pump assemblies are offered with open drip-proof, TEFC, and explosion-proof NEMA design motors, or as PUMPAKS only to fit customer's standard motors.

### PUMP SPECIFICATIONS

Suction & Discharge .....	2" x 2"
Housing .....	Cast Iron, bronze or aluminum
Impeller .....	Cast Iron, bronze or aluminum
Shaft Sleeve .....	Stainless steel to fit 1 1/2" shaft
Fasteners .....	Stainless Steel
Seals .....	Standard Viton, Special seal material combinations available. (Consult the factory).

Close-Coupled to  
 Electric Motor  
 or  
 PUMPAK Only to Mount  
 to Standard NEMA "C"  
 Face Motor

**5 HP • 7.5 HP**

UP TO 210 GPM  
 UP TO 130 FEET HEAD

*Available in:*

**BRONZE    ALUMINUM  
 CAST IRON**

• WITH OR WITHOUT  
 ELECTRIC MOTOR



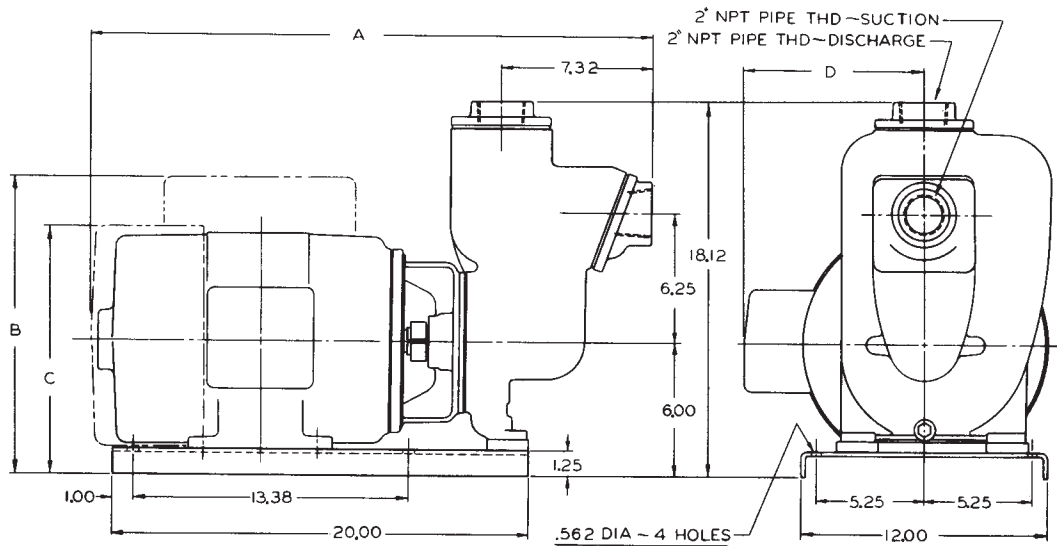
# FLOMAX 10

2" x 2"

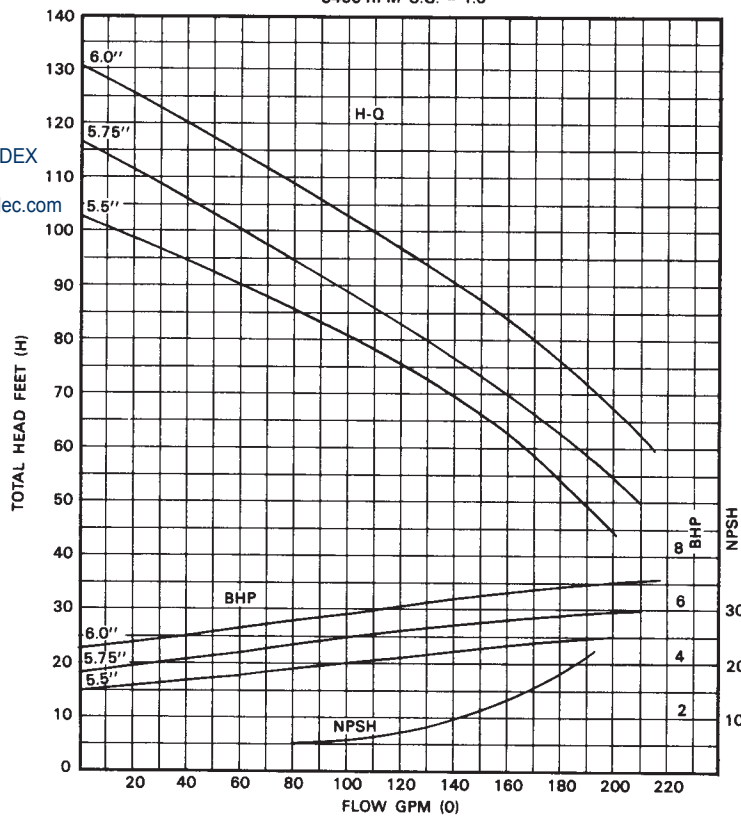
## SELF-PRIMING CENTRIFUGAL ELECTRIC MOTOR DRIVE

FLOMAX 10

MOTOR				DIMENSION			
FRAME	HP	PH	ENCL	A	B	C	D
184 TC	5	3	TEFC	26,52		9,70	5,88
184 TC	7,5	3	TEFC	28,02		9,70	5,88
213 C	5	3	TEFC	26,52		11,32	7,38
213 C	5	3	ODP	24,90		11,32	7,38
213 C	5	1	TEFC	28,14	14,08	11,32	7,38
215 C	7,5	3	TEFC	28,14		11,32	7,38



FLOMAX 10  
2 x 2 SELF-PRIMING PUMP  
3450 RPM S.G. = 1.0



**motralec**

4 rue Lavoisier . ZA Lavoisier . 95223 HERBLAY CEDEX

Tel. : 01.39.97.65.10 / Fax. : 01.39.97.68.48

Demande de prix / e-mail : [service-commercial@motralec.com](mailto:service-commercial@motralec.com)

[www.motralec.com](http://www.motralec.com)



**MP PUMPS, INC.**  
TECUMSEH PRODUCTS COMPANY

34800 BENNETT DRIVE • FRASER, MI 48026-1686  
(810) 293-8240 • FAX (810) 293-8469