

FLOMAX 5 self-priming centrifugal pumps are capable of creating vacuum sufficient to lift liquids from heights up to 25' above the source. Once primed the pumps built-in flapper valve will maintain a full column of liquid in the suction line.

A FLOMAX PUMPAK is a fully assembled and run tested pump end that can be easily coupled to a number of drivers such as hydraulic motors, 56C and 145TC frame motors. A bearing pedestal is also available for T-frame motor or belt drive.

Standard features include SS drive sleeve, SS fasteners, renewable wearplate, and semi-open, dynamically balanced impeller. Options include double grease-lubricated seals, SS impeller and seals for all type of abrasive and/or corrosive services.

PUMP SPECIFICATIONS

Suction and Discharge . .	1-1/2" x 1-1/2"
Housing	Cast Iron, bronze or aluminum
Impeller	Cast Iron, bronze or aluminum with stainless steel also available
Shaft Sleeve	Stainless Steel to fit either
Fasteners	Stainless Steel
Seals	Standard Viton. Special seal material combinations available (consult factory).

FLOMAX® 5

1-1/2" X 1-1/2" SELF- PRIMING CENTRIFUGAL PUMP

Close-Coupled to
Electric Motor
or PUMPAK Only to Mount
to Standard NEMA "C"
Face Motor

1.5HP • 2HP • 3HP

UP TO 100 GPM
UP TO 40 PSI

AVAILABLE IN:

BRONZE

ALUMINUM

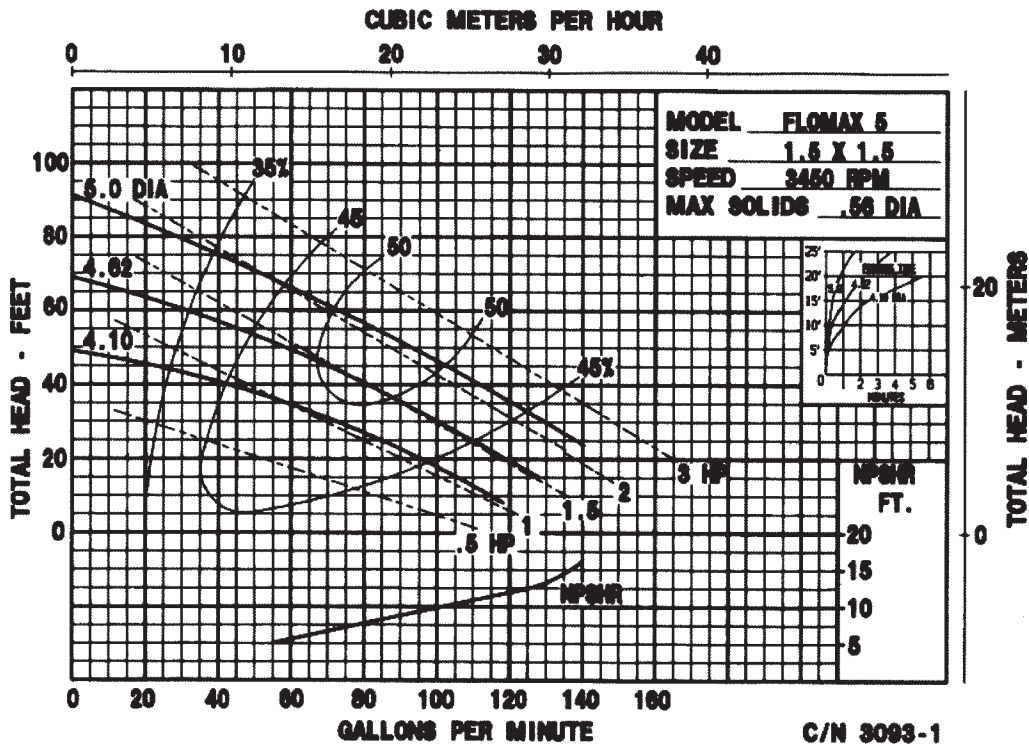
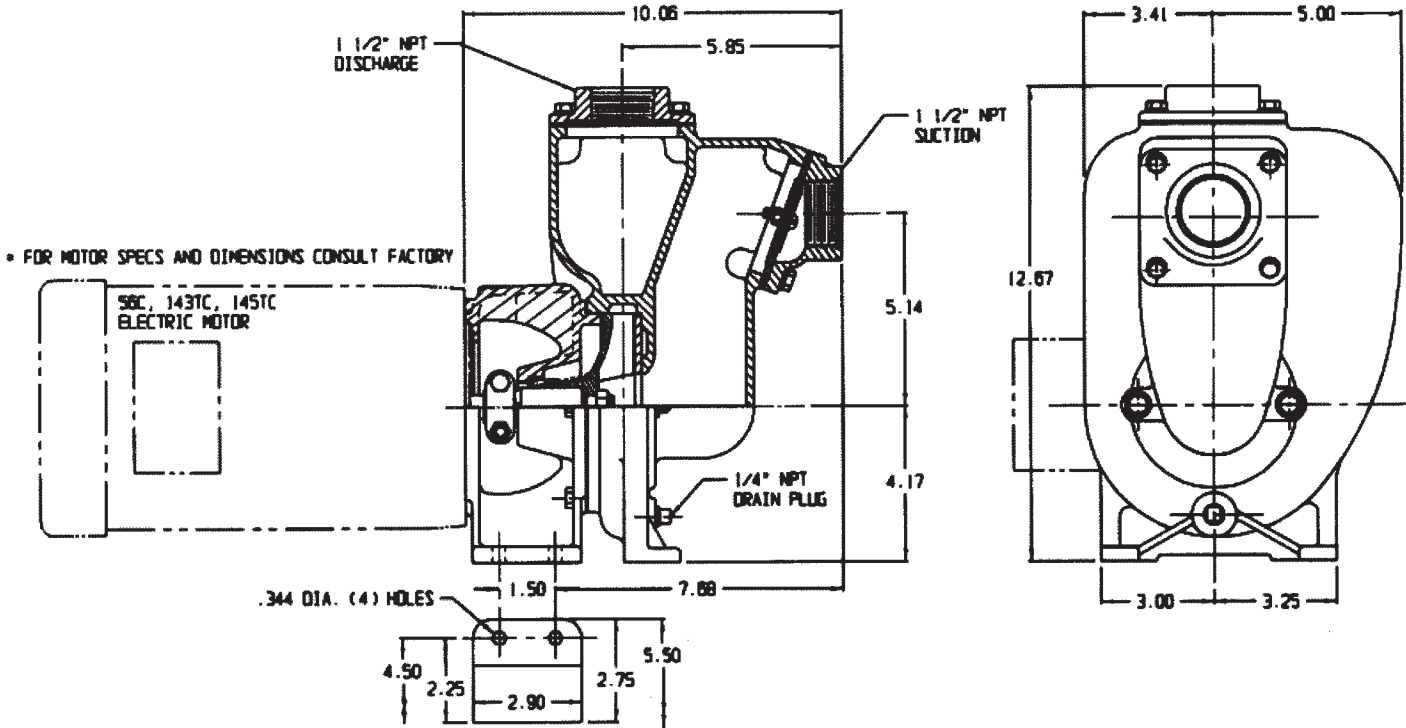
CAST IRON

• WITH OR WITHOUT
ELECTRIC MOTOR

FLOMAX 5

1-1/2" X 1-1/2"

SELF-PRIMING
CENTRIFUGAL
ELECTRIC MOTOR DRIVE



MP PUMPS, INC.
TECUMSEH PRODUCTS COMPANY
34800 REPUBLIC DRIVE - PRASLER, MI 49006-1546
1 BERRY DRIVE - BENTON - FLA. (BENTON) 32024-2400
(800) 553-0005
www.mppumps.com

motralec

4 rue Lavoisier . ZA Lavoisier . 95223 HERBLAY CEDEX

Tel. : 01.39.97.65.10 / Fax. : 01.39.97.68.48

Demande de prix / e-mail : service-commercial@motralec.com

www.motralec.com

Form 8023D (4-04)