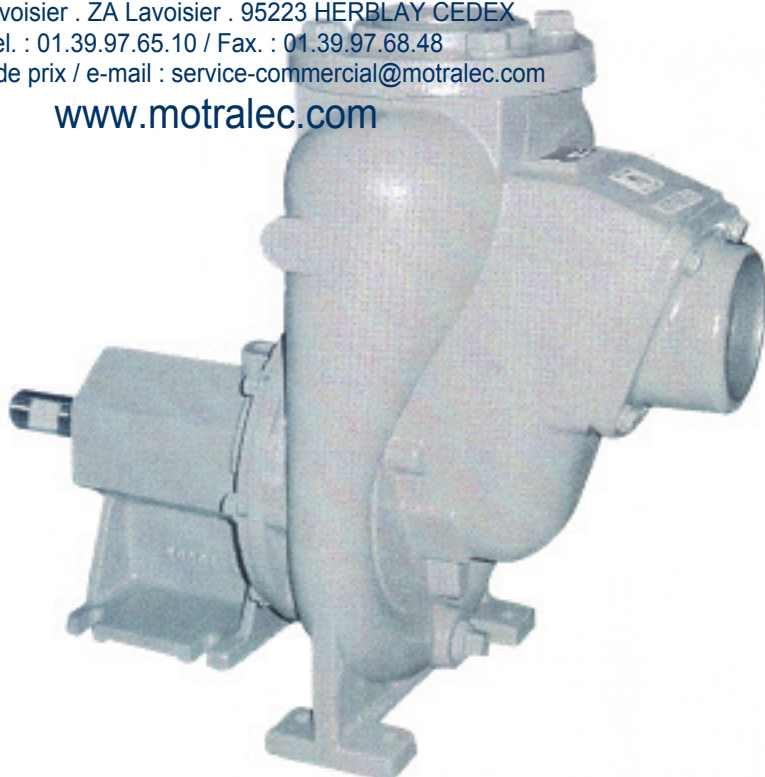


motralec

4 rue Lavoisier . ZA Lavoisier . 95223 HERBLAY CEDEX
Tel. : 01.39.97.65.10 / Fax. : 01.39.97.68.48
Demande de prix / e-mail : service-commercial@motralec.com
www.motralec.com



FLOMAX 30

3" x 3" Self-Priming Centrifugal Pump

The FLOMAX 30 is capable of suction lifts to 25' flow rates to 500 gpm and pressures to 190' tdh. The double seal pump is capable of handling abrasive and viscous liquids as well as periods of dry run without damage. The double seal FLOMAX 30 is well suited for services such as machine tool coolant, commercial fertilizer blending and drilling mud.

PUMP SPECIFICATIONS

Seal	Single carbon/ceramic/viton standard or Double seal with silicon carbide/silicon carbide inboard faces, high pressure grease lubricated
Impeller	6-vane semi open CI
Housing	Class 30 CI
Shaft Sleeve	316SS

Single Seal Or

Double Seal
Pressure Grease
Lubricated

Available in:

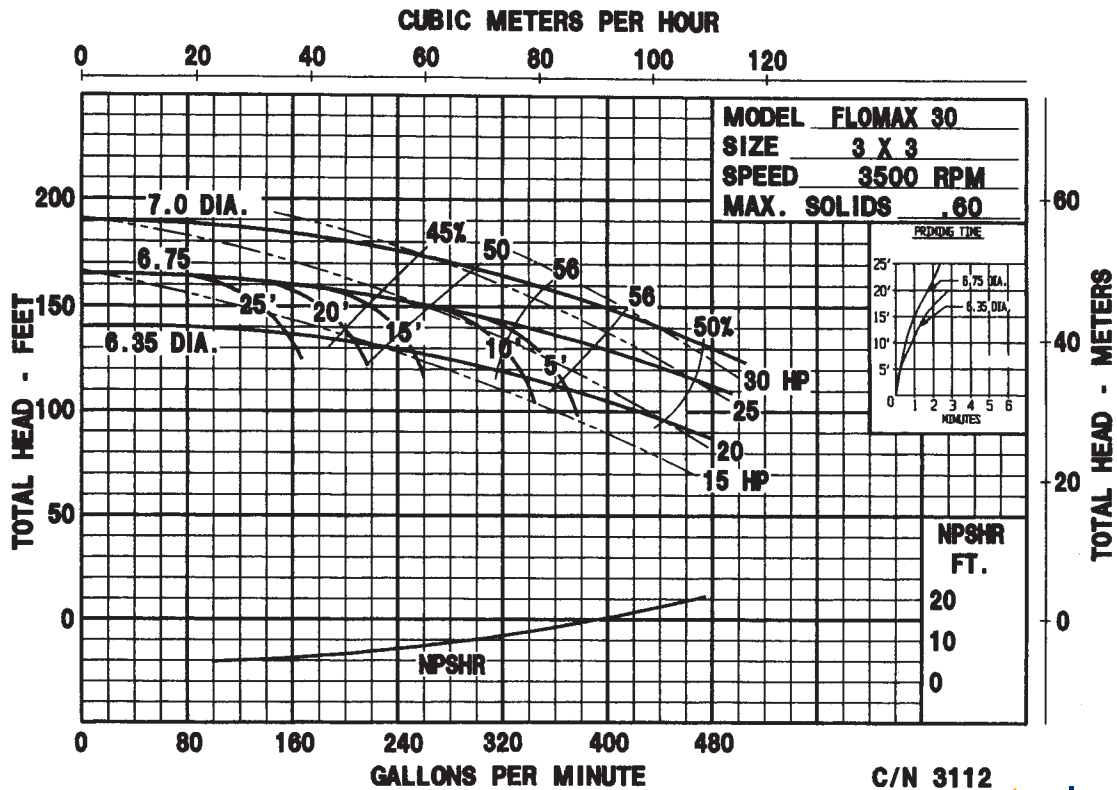
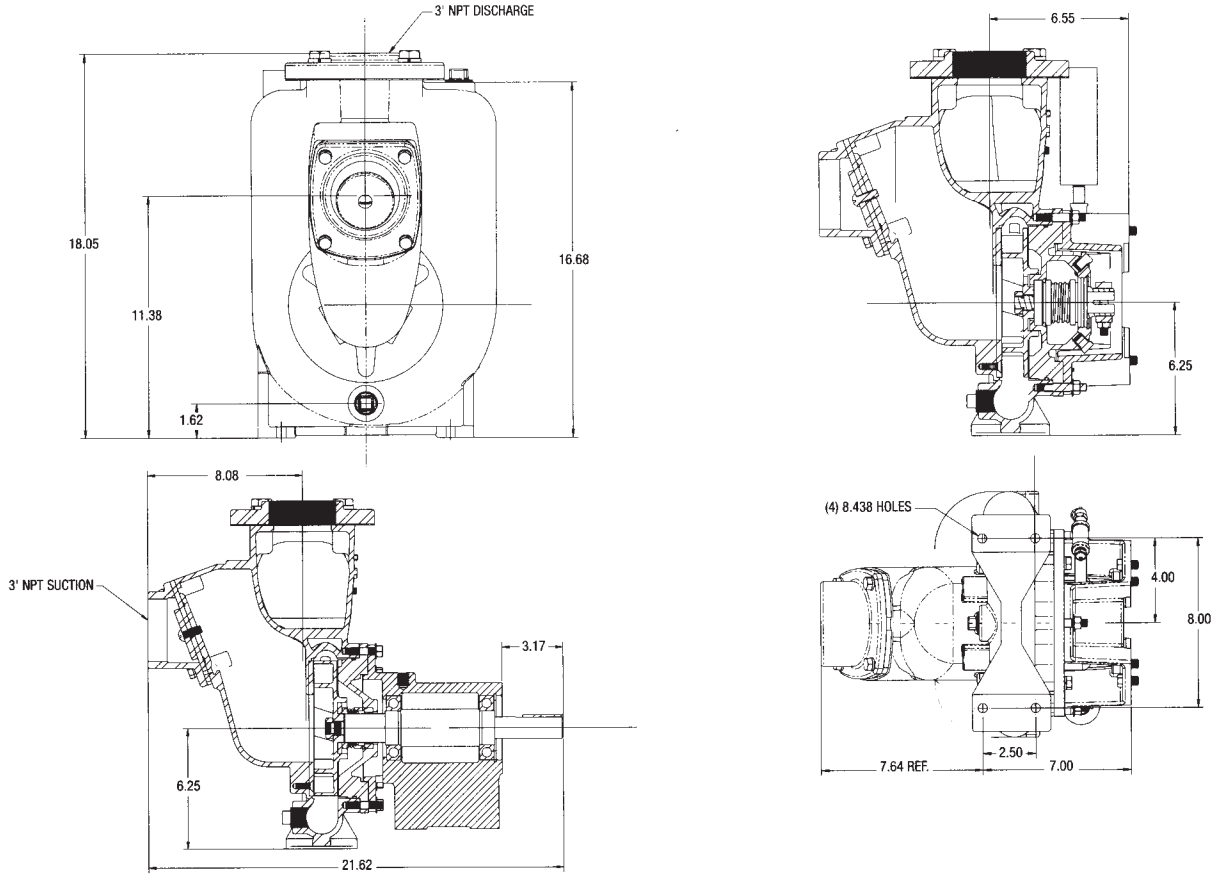
CC Electric Motor
Pedestal Pump
Gas Engine Or
Hydraulic Motor
Driven

 **MP PUMPS, INC.**
TECUMSEH PRODUCTS COMPANY
34800 BENNETT DRIVE • FRASER, MI 48026-1686
(586) 293-8240 • FAX (586) 293-8469

800-563-8006
www.mppumps.com

FLOMAX 30 3" x 3"

SELF PRIMING CENTRIFUGAL



34800 BENNETT • FRASER, MI 48026-1686
 (586) 293-8240 • FAX (586) 293-8469
 (800) 563-8006 • www.mppumps.com

motralec

4 rue Lavoisier . ZA Lavoisier . 95223 HERBLAY CEDEX
 Tel. : 01.39.97.65.10 / Fax. : 01.39.97.68.48

Demande de prix / e-mail : service-commercial@motralec.com

www.motralec.com

www.mppumps.com

FORM 8102 (5/02)
 Litho in USA