

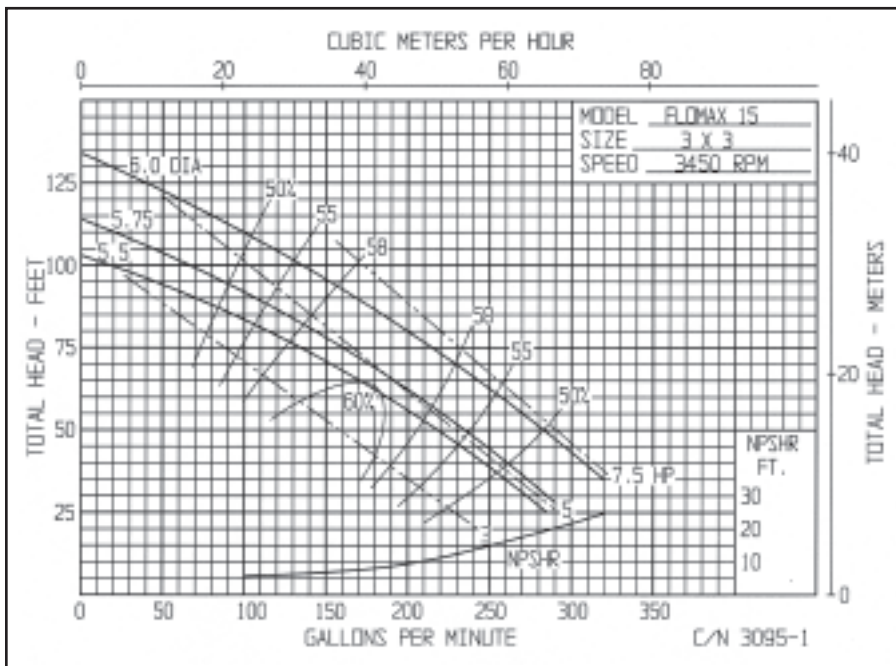
FLOMAX[®] 15 Stainless Steel

3" x 3" Self-Priming Centrifugal Pump

compatibility and corrosion resistance for "hard to handle" aggressive fluids making it ideal for numerous agricultural, industrial and marine applications.

Two basic pumpak styles allow the FLOMAX 15 self-priming centrifugal to fit standard Nema "C" frame electric motors or engines and standard MP pedestal mount.

The standard mechanical seal is stainless steel, viton and carbon/ceramic. Consult factory for special material combinations.



5 HP • 7.5 HP
FLOWS TO 320 GPM
UP TO 134 FEET HEAD

SELF-PRIMING TO 25 FEET

AVAILABLE MOUNTINGS:

- CLOSE CPLD. TO ELECTRIC MOTOR
- PEDESTAL
- ENGINE
- PUMPAK FOR NEMA C FACE MOTOR
- COMPATIBLE MOTOR FRAMES:

- **182TC • 184TC**
- **213C • 215C**

motralec

4 rue Lavoisier . ZA Lavoisier . 95223 HERBLAY CEDEX

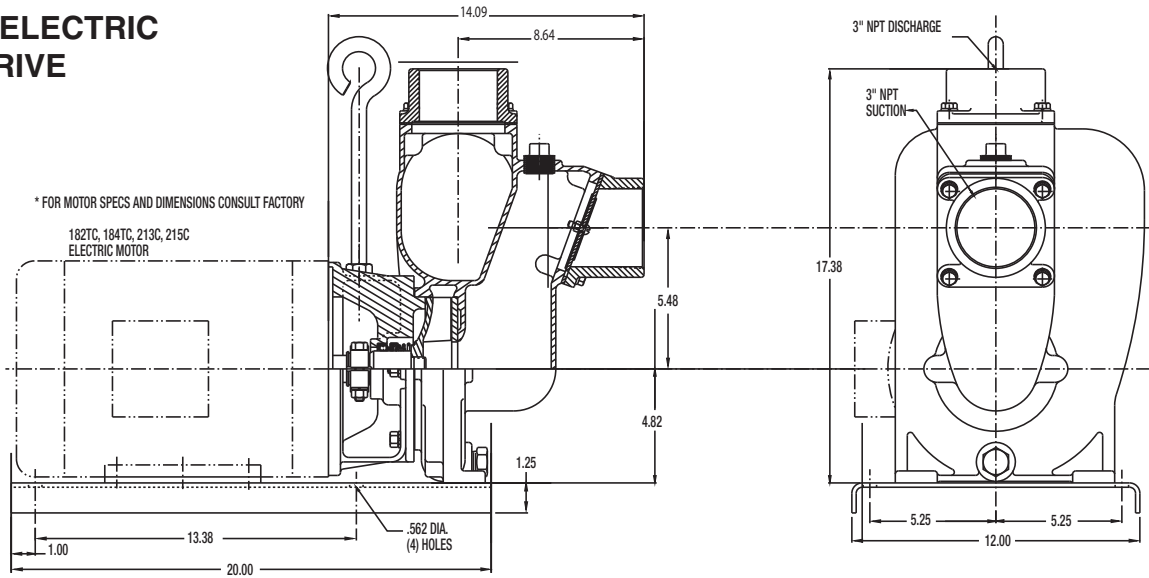
Tel. : 01.39.97.65.10 / Fax. : 01.39.97.68.48

Demande de prix / e-mail : service-commercial@motralec.com

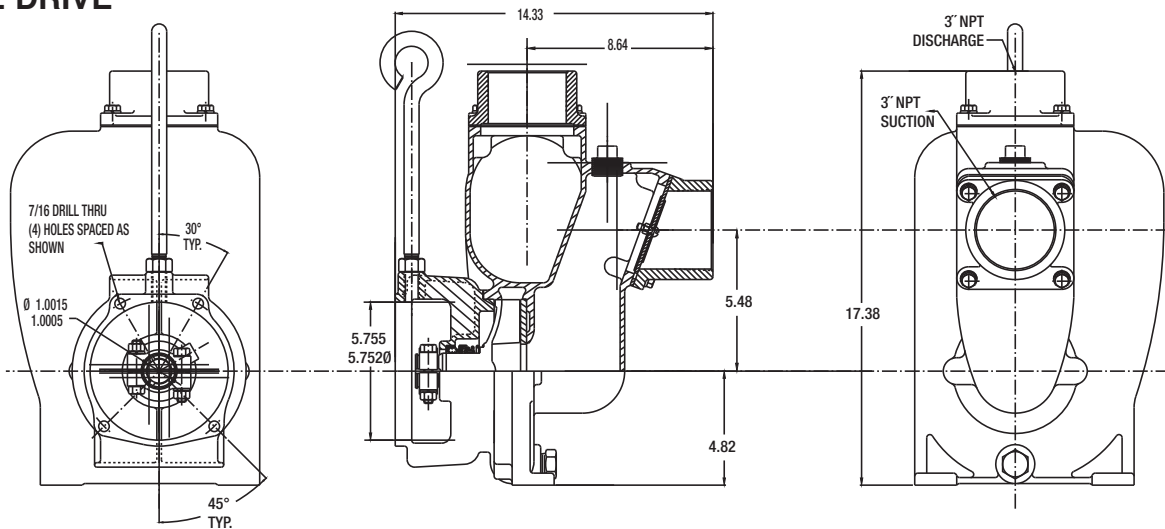
www.motralec.com

FLOMAX 15 3" x 3"

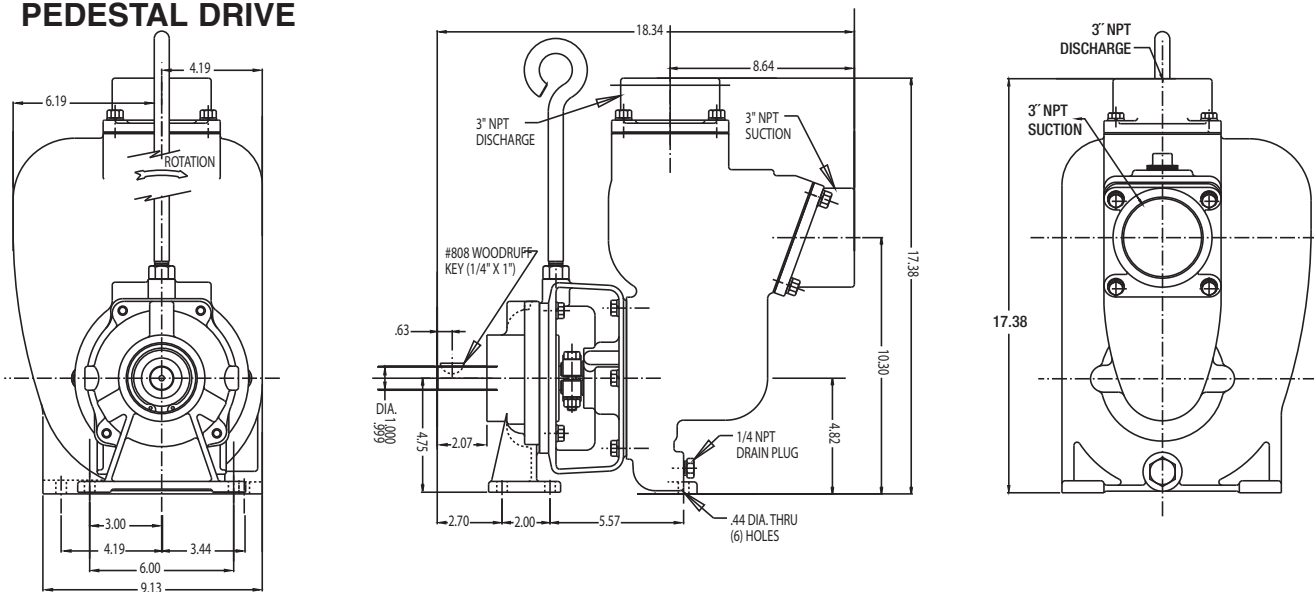
"C" FACE ELECTRIC MOTOR DRIVE



ENGINE DRIVE



PEDESTAL DRIVE



motralec

4 rue Lavoisier . ZA Lavoisier . 95223 HERBLAY CEDEX

Tel. : 01.39.97.65.10 / Fax. : 01.39.97.68.48

Demande de prix / e-mail : service-commercial@motralec.com

www.motralec.com