

# EC SERIES



Heavy Duty Cast Iron Construction  
Back Pull-Out Design  
NEMA Motors

Flow Rate Up To 120 GPM  
Pressure Up To 140 TDH

Ideal For Light Industrial/  
Commercial Water Transfer Services

Economical  
Cast Iron  
End Suction  
Centrifugal  
Pumps

Complete  
Pumps Available  
For Immediate  
Shipment

## Pump Specifications

|                       |                     |
|-----------------------|---------------------|
| Seal.....             | Carbon/Ceramic/Buna |
| Housing.....          | Cast Iron           |
| Impeller.....         | Noryl               |
| Max. Temperature..... | 160°F               |

## Available

1/2 HP

3/4 HP

1 HP

1.5 HP

2.0 HP

3.0 HP

**motralec**

4 rue Lavoisier . ZA Lavoisier . 95223 HERBLAY CEDEX

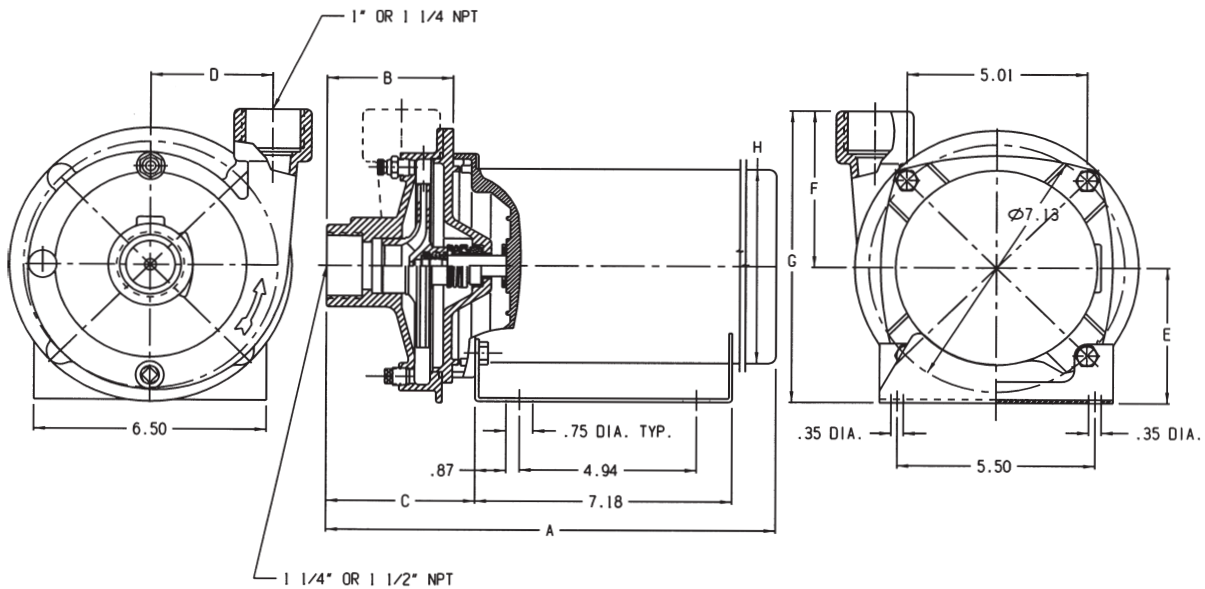
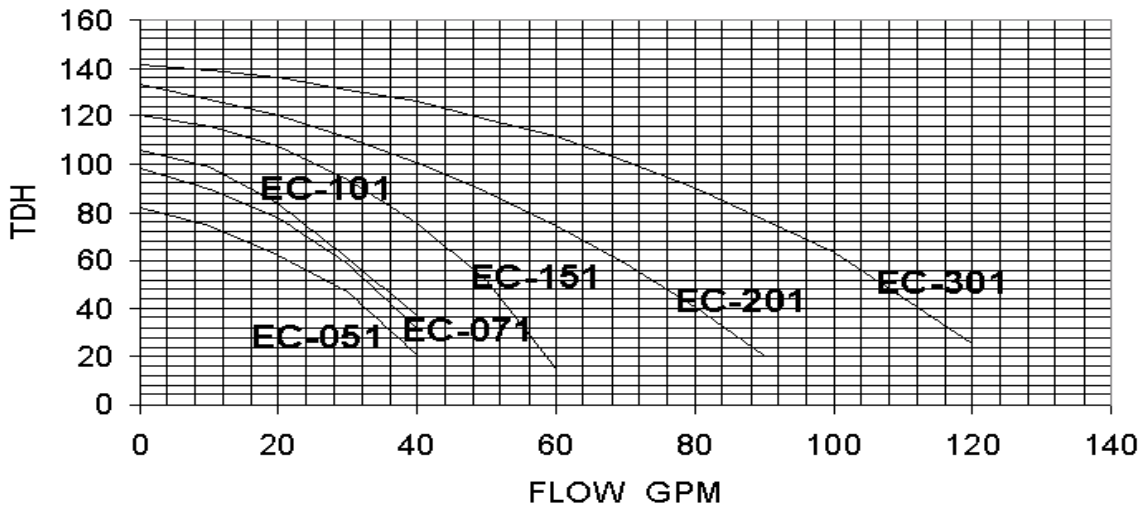
Tel. : 01.39.97.65.10 / Fax. : 01.39.97.68.48

Demande de prix / e-mail : [service-commercial@motralec.com](mailto:service-commercial@motralec.com)

[www.motralec.com](http://www.motralec.com)

# EC SERIES

## EC SERIES



| MODEL NO. | HP   | VOLTAGE & PHASE | PORTS |       | PUMP DIMENSIONS |      |      |      |      | PACKING DIMENSIONS | WEIGHT |
|-----------|------|-----------------|-------|-------|-----------------|------|------|------|------|--------------------|--------|
|           |      |                 | Suc   | Disc  | A               | B    | C    | F    | H    | Inches             |        |
| EC-051    | .50  | 115/230/1       | 1.25" | 1.00" | 14.48           | 2.08 | 4.32 | 4.49 | 5.49 | 15.5 X 8.5 X 10"   | 32     |
| EC-071    | .75  | 115/230/1       | 1.25" | 1.00" | 14.67           | 2.08 | 4.44 | 4.53 | 5.47 | 16.5 X 9.5 X 10"   | 34     |
| EC-101    | 1    | 115/230/1       | 1.50" | 1.25" | 15.25           | 2.08 | 4.28 | 4.46 | 5.56 | 16.5 X 9.5 X 10"   | 35     |
| EC-151    | 1.50 | 115/230/1       | 1.25" | 1.00" | 15.75           | 2.08 | 4.25 | 4.45 | 5.50 | 16.5 X 9.5 X 10"   | 41     |
| EC-201    | 2    | 230/1           | 1.50" | 1.25" | 16.42           | 2.08 | 5.01 | 4.71 | 5.55 | 18.25 X 9.5 X 10"  | 43     |
| EC-301    | 3    | 230/1           | 1.50" | 1.25" | 18.13           | 2.08 | 4.92 | 4.39 | 6.22 | 18.25 X 9.5 X 10"  | 52     |

All models are available in 3 Phase – specify voltage

**motralec**

4 rue Lavoisier . ZA Lavoisier . 95223 HERBLAY CEDEX

Tel. : 01.39.97.65.10 / Fax. : 01.39.97.68.48

Demande de prix / e-mail : [service-commercial@motralec.com](mailto:service-commercial@motralec.com)

[www.motralec.com](http://www.motralec.com)