

CHEMFLO⁶

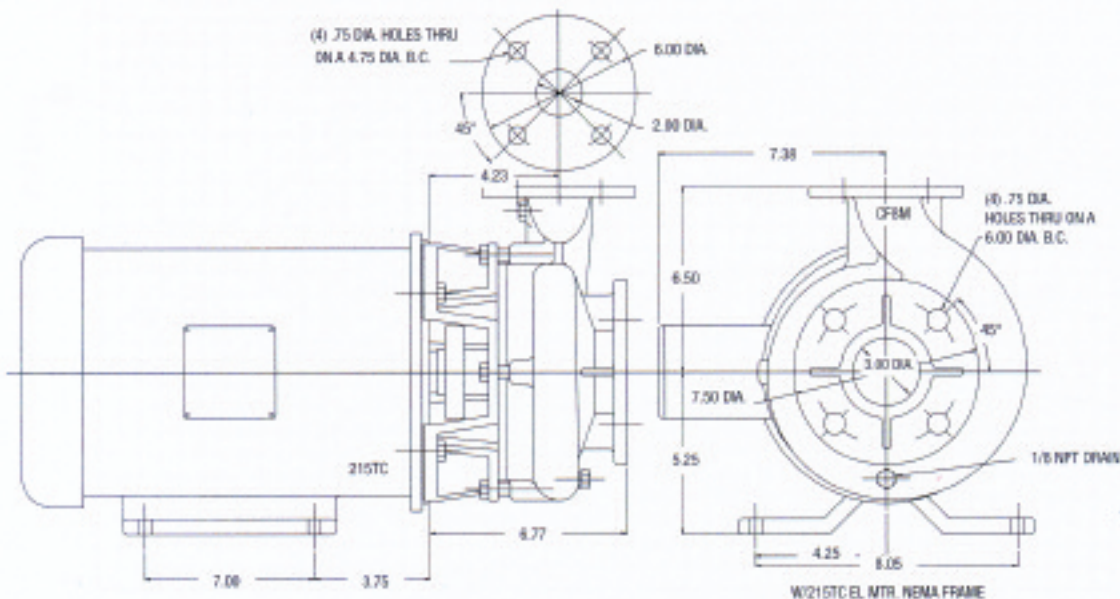
Centrifugal Pumps

Features & Options

- SIZE: 3" x 2" x 6"
- All Cast 316SS Housing, Seal Housing And Impeller
- 316SS Pedestal Shaft Or Motor Shaft Sleeve
- Standard – Type 2100 Carbon/Ceramic/Viton Seal
- Standard – Viton O-Ring
- Enclosed Impeller
- Flow Rates To 450 GPM
- Pressures To 160'
- Optional: Tap For Recirculation Or Seal Flush
- Optional: Severe Duty Seals
- Available: Pedestal Pump
- Available: Pumpak For 145TC, 184TC And 215TC
Close-Couple Electric Motor



Dimensions



motralec

4 rue Lavoisier . ZA Lavoisier . 95223 HERBLAY CEDEX

Tel. : 01.39.97.65.10 / Fax. : 01.39.97.68.48

Demande de prix / e-mail : service-commercial@motralec.com

www.motralec.com

Form 8121

MP PUMPS, INC.
TECUMSEH PRODUCTS COMPANY
34800 BENNETT DRIVE • FRASER, MI 48026-1696
(586) 293-8240 • FAX (586) 293-8469
(800) 563-8006

www.mppumps.com

10-04

