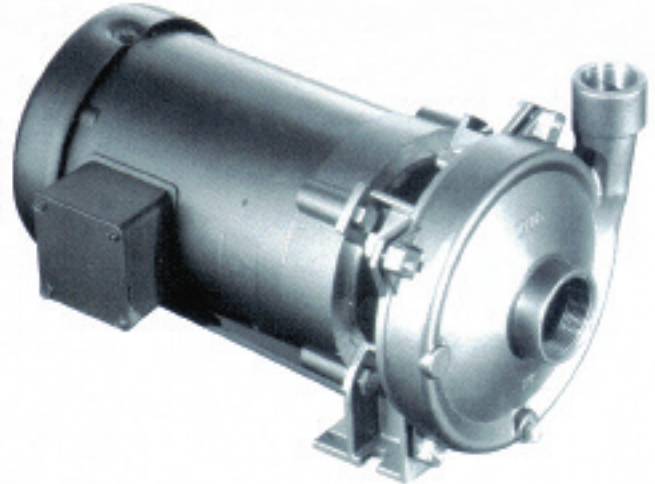


# CHEMFLO<sup>3</sup>

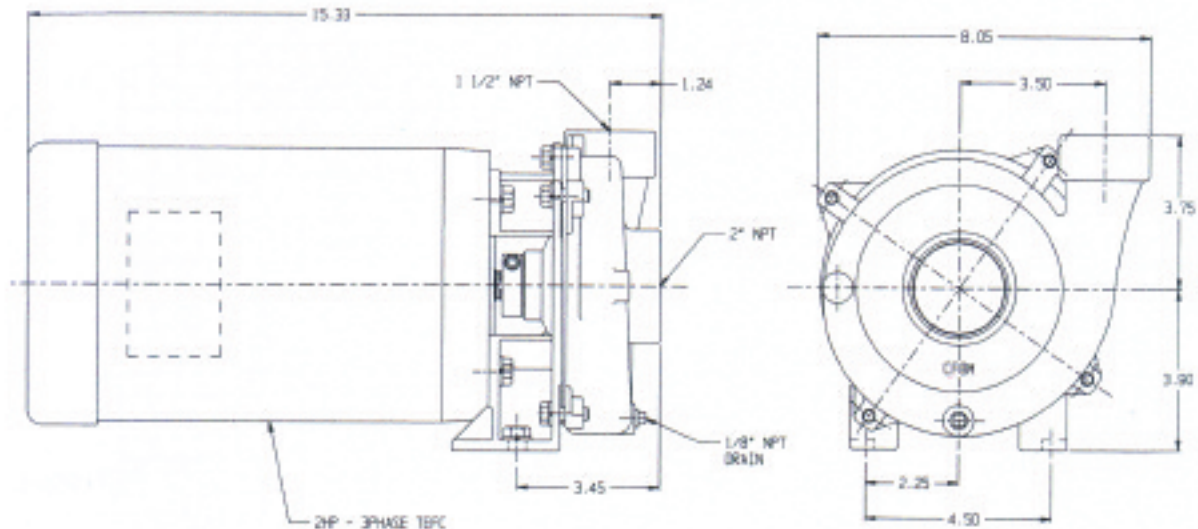
Centrifugal Pumps

## Features & Options

- SIZE: 2" x 1.5" x 5.25"
- All Cast 316SS Housing, Seal Housing And Impeller
- 316SS Pedestal Shaft Or Motor Shaft Sleeve
- Standard – Type 2100 Carbon/Ceramic/Viton Seal
- Standard – Viton O-Ring
- Semi-Open Impeller
- Flow Rates To 130 GPM
- Pressures To 105'
- Optional: Tap For Recirculation Or Seal Flush
- Optional: Severe Duty Seals
- Available: Pedestal Pump
- Available: Pumpak For 56C, 145TC, 184C  
Close-Couple Electric Motor



## Dimensions



motralec

4 rue Lavoisier . ZA Lavoisier . 95223 HERBLAY CEDEX

Tel. : 01.39.97.65.10 / Fax. : 01.39.97.68.48

Demande de prix / e-mail : [service-commercial@motralec.com](mailto:service-commercial@motralec.com)

[www.motralec.com](http://www.motralec.com)

Form 8124

10-04

 **MP PUMPS, INC.**  
TECUMSEH PRODUCTS COMPANY  
34200 BENNETT DRIVE • FRASER, MI 48026-1696  
(586) 293-8240 • FAX (586) 293-8469  
(800) 563-8006

[www.mppumps.com](http://www.mppumps.com)

