

# MP PUMPS, INC.

## CFB 2 Series

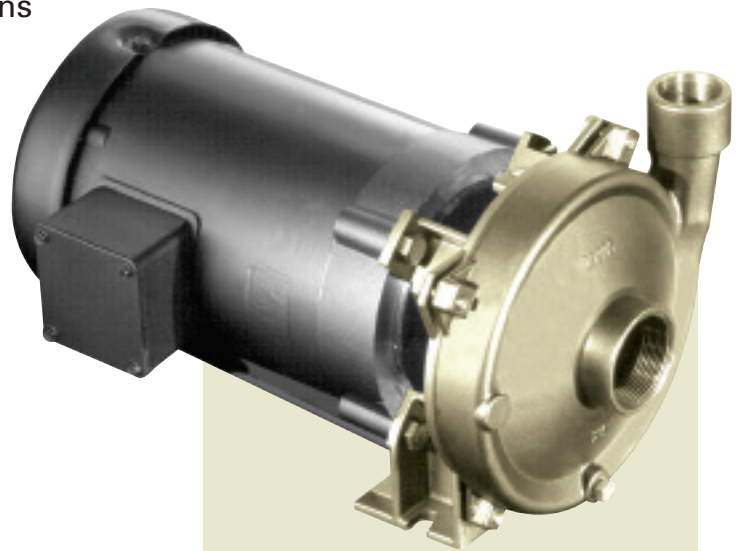
Nickel, Aluminum, Bronze

CFB Series pumps offer NPT threaded connections and easy to install pump-end (Pumpak) design onto any 56C motor.

Popular flow ranges to provide adequate flow and head within the three horsepower envelope. The pump is designed for efficient use of material using investment casting technology with better running efficiencies than sand cast alternatives.

Semi-open impellers allow a higher solid size to pass thru than others with enclosed impellers. All wetted pump parts are CA 958 (nickel-aluminum-bronze) including the sleeve for maximum corrosion protection with seawater.

O-ring seals offer leak free assemblies that gasketed pumps cannot. Viton elastomers are standard.



### SPECIFICATIONS:

Suction and Discharge	1 1/2" x 1" NPT
Housing	CA958
Volute	CA958
Impeller	CA958 Semi-Open, Balanced
Adaptor	CA 958
Drive Sleeve	CA958
Seal, Type 21	Carbon/Ceramic/Viton Optional Seals Available
Fasteners	Stainless Steel

### MOUNTING OPTIONS:

- Pumpak
- Pedestal
- Close Cpld,  
56C Electric Motor

### FLOWS TO 110 GPM

### PRESSURES TO 103 TDH

### APPLICATION:

- Marine
- Industrial

**motralec**

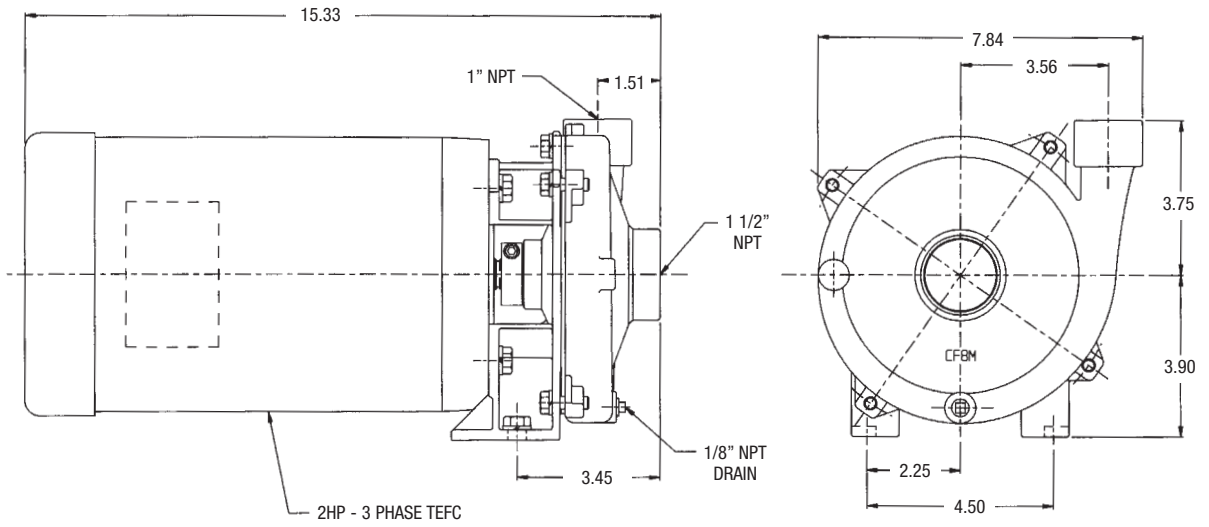
4 rue Lavoisier . ZA Lavoisier . 95223 HERBLAY CEDEX

Tel. : 01.39.97.65.10 / Fax. : 01.39.97.68.48

Demande de prix / e-mail : [service-commercial@motralec.com](mailto:service-commercial@motralec.com)

[www.motralec.com](http://www.motralec.com)

## CLOSE COUPLED MTR PUMPAK



## PEDESTAL MOUNT

