

**motralec**

4 rue Lavoisier . ZA Lavoisier . 95223 HERBLAY CEDEX  
 Tel. : 01.39.97.65.10 / Fax. : 01.39.97.68.48  
 Demande de prix / e-mail : service-commercial@motralec.com

[www.motralec.com](http://www.motralec.com)

The 2CT-3 pump quickly close-couples to a standard motor 145TC, 184TC or 215TC frame. The 2CT features a back pull-out design and replaceable wearplate accessible through the front trash cleanout. A 304SS sleeve protects the close-coupled driver shaft. Available options include a bearing pedestal for base mounted pumps as well as a hydraulic motor drive pedestal.

**PUMP SPECIFICATIONS**

<b>Seal</b> .....	Single carbon/ceramic/viton standard or Silicon carbide/silicon carbide optional
<b>Impeller</b> .....	Ductile iron
<b>Max. Solid Size</b> .....	1.25" diameter sphere
<b>Housing</b> .....	Class 30 Cast iron
<b>Shaft Sleeve</b> .....	304SS

**2CT-3**

**Self-Priming  
Centrifugal  
Pump**

**2" x 2"  
or  
3" x 3"**

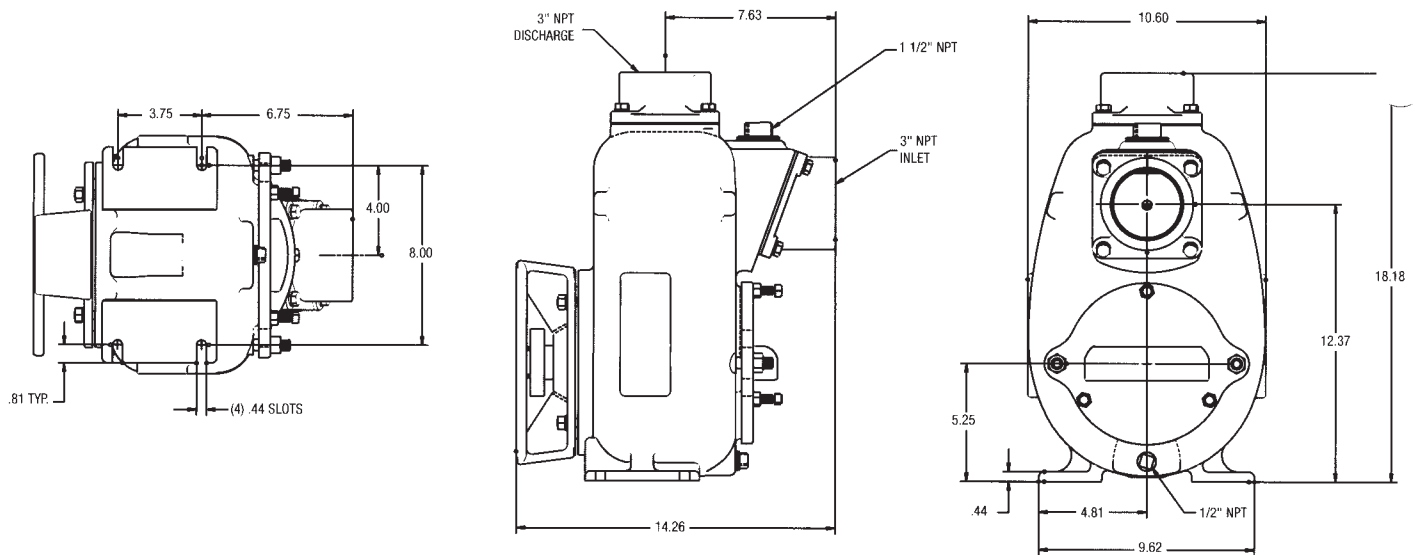
**Available in:**

**CC Electric Motor  
Pedestal Pump  
Gas Engine Or  
Hydraulic Motor  
Driven**

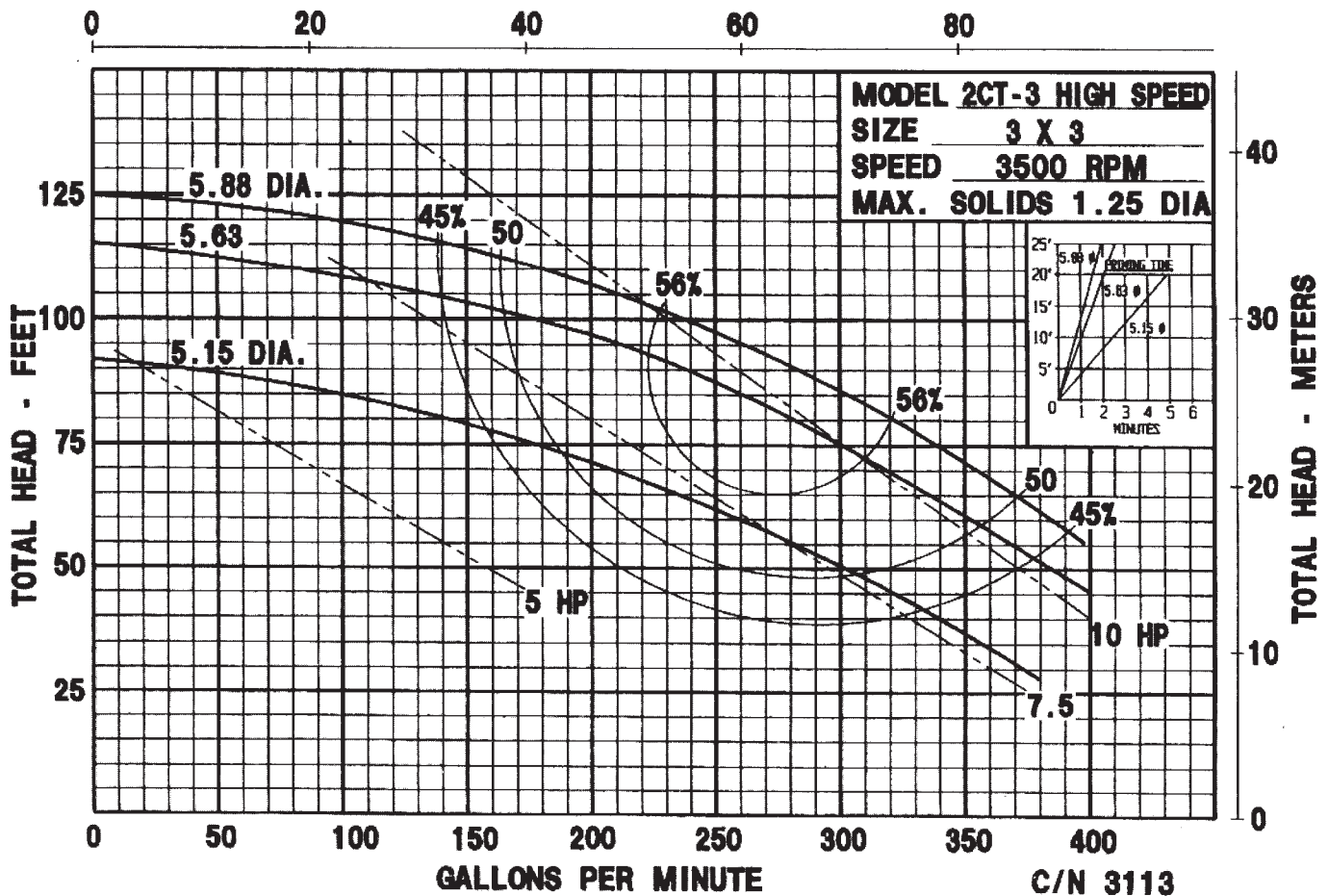
**MP PUMPS, INC.**  
**TECUMSEH PRODUCTS COMPANY**  
 34800 BENNETT DRIVE • FRASER, MI 48026-1686  
 (586) 293-8240 • FAX (586) 293-8469

**800-563-8006**

**[www.mppumps.com](http://www.mppumps.com)**



## CUBIC METERS PER HOUR



**MP PUMPS, INC.**  
**TECUMSEH PRODUCTS COMPANY**  
 34800 BENNETT DRIVE • FRASER, MI 48026-1686  
 (586) 293-8240 • FAX (586) 293-8469

**800-563-8006**

**motralec**

4 rue Lavoisier . ZA Lavoisier . 95223 HERBLAY CEDEX  
 Tel. : 01.39.97.65.10 / Fax : 01.39.97.68.48

Demande de prix / e-mail : [service-commercial@motralec.com](mailto:service-commercial@motralec.com)

[www.motralec.com](http://www.motralec.com)

[www.mppumps.com](http://www.mppumps.com)

FORM 8103 (6/02)  
 Litho in USA