

A heavy duty pedestal pump can be driven by standard electric or hydraulic motors, gasoline or diesel engines, pulleys, belts or clutch drives.

Open adaptor construction provides adequate drainage to keep liquids from damaging drivers. A heavy duty ball bearing pedestal for longer life. Standard or severe service seals available using Viton and stainless steel parts.

Tested pumps are available with or without drivers. Various impeller diameters are available to suit different head/flow requirements.

PUMP SPECIFICATIONS

Suction and Discharge ..	2 1/2" x 2" NPT
Housing	Bronze or Cast Iron
Impeller	Bronze or Cast Iron (Open)
Shaft	1" Shaft with Stainless Steel sleeve
Fasteners	Stainless Steel or Bronze
Seal	Standard carbon/ceramic Viton Special seal material available (consult factory)
Rotation	Right hand, left hand, Reversible

SERIES 200

2 1/2" x 2" CENTRIFUGAL PUMP

PEDESTAL PUMP
 FOR BELT OR
 DIRECT DRIVE
 UP TO 320 GPM
 Up to 110 Feet Head

AVAILABLE IN:
 CAST IRON
 BRONZE
 STAINLESS STEEL
 FASTENERS



MP PUMPS, INC.

TECUMSEH PRODUCTS COMPANY

34800 BENNETT DRIVE • FRASER, MI 48026-1686
 (810) 293-8240 • FAX (810) 293-8469

SERIES 200

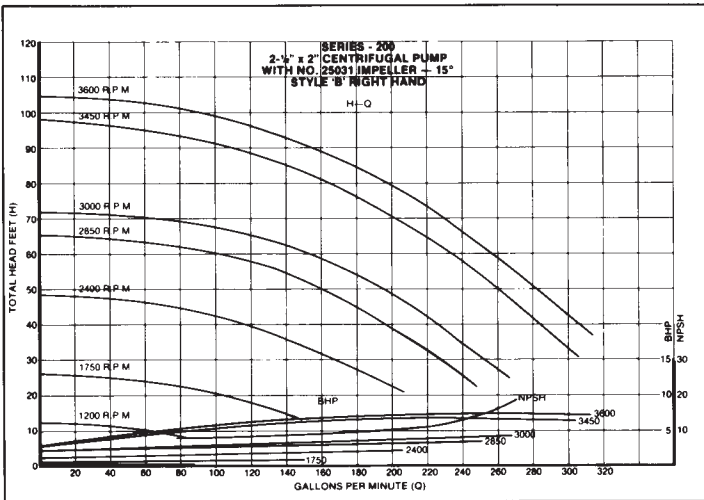
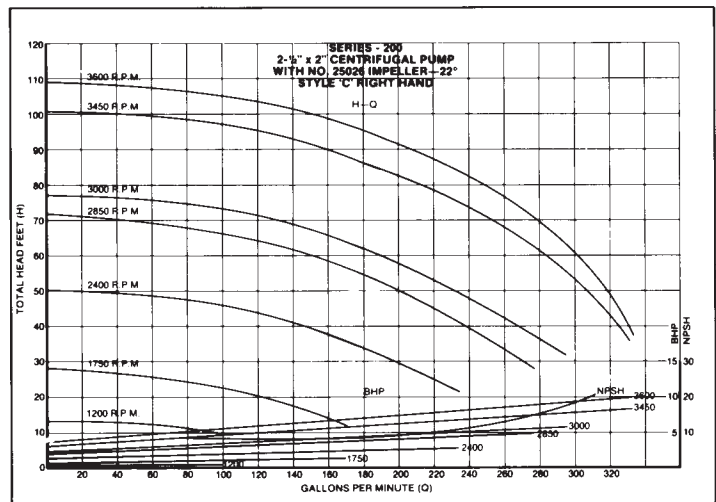
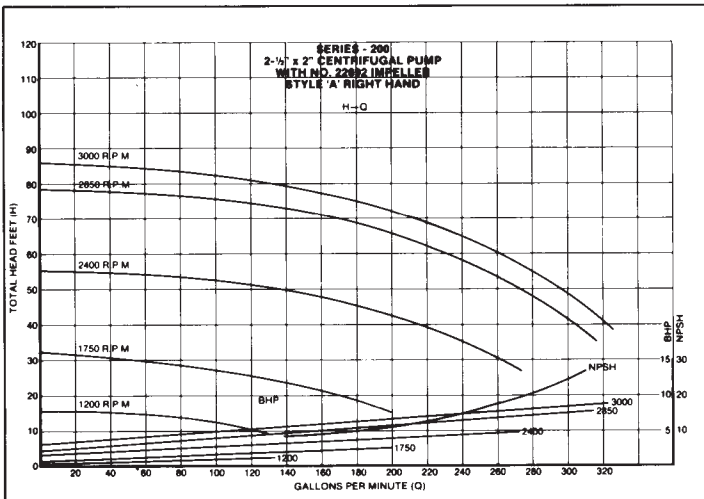
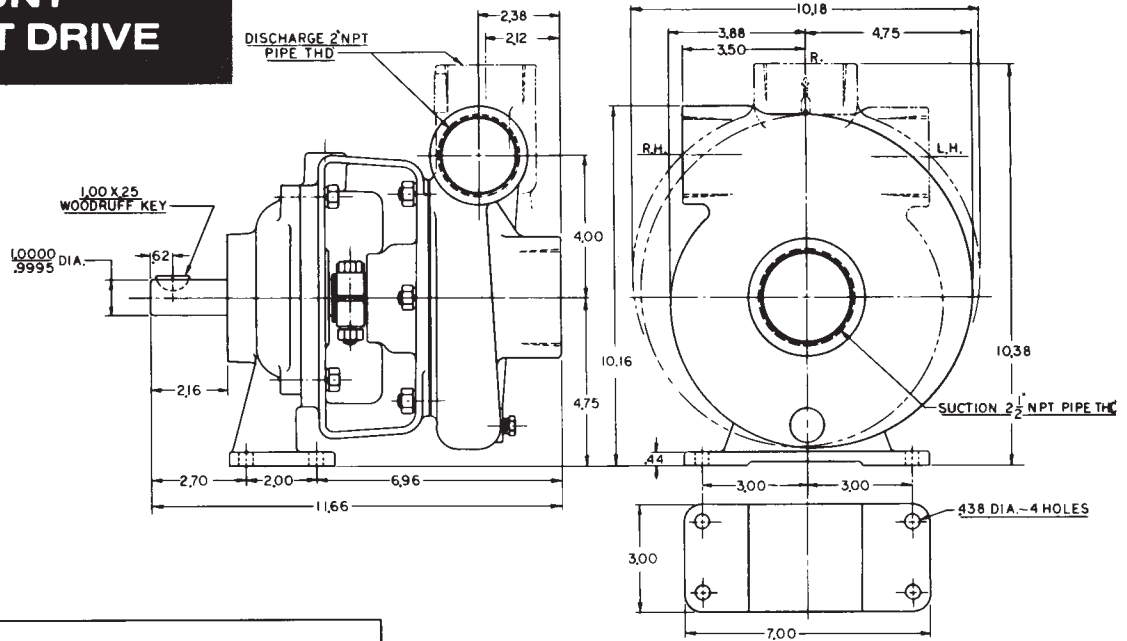
2 1/2" x 2"

STRAIGHT CENTRIFUGAL PEDESTAL MOUNT BELT OR DIRECT DRIVE

motralec

4 rue Lavoisier . ZA Lavoisier . 95223 HERBLAY CEDEX
Tel. : 01.39.97.65.10 / Fax. : 01.39.97.68.48
Demande de prix / e-mail : service-commercial@motralec.com

www.motralec.com



Note: Curves shown are for right hand pump models only.

Consult factory for performance on left hand or reversible pumps.



MP PUMPS, INC.
TECUMSEH PRODUCTS COMPANY

34800 BENNETT DRIVE • FRASER, MI 48026-1686
(810) 293-8240 • FAX (810) 293-8469