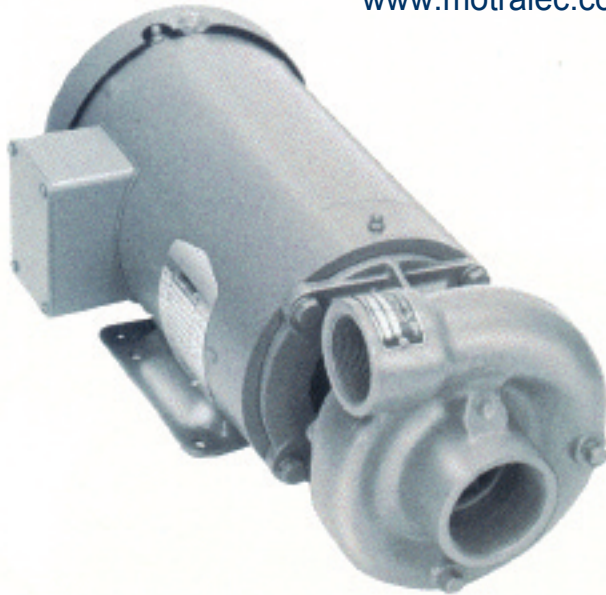


motralec

4 rue Lavoisier . ZA Lavoisier . 95223 HERBLAY CEDEX
Tel. : 01.39.97.65.10 / Fax. : 01.39.97.68.48
Demande de prix / e-mail : service-commercial@motralec.com

www.motralec.com



160 GPM 2" x 1 1/2"

Series 130 high volume centrifugal pumps are close-coupled to standard NEMA "C" face motors. Open adaptor protects motor. All models are available in cast iron, bronze or aluminum construction to suit a wide variety of liquids.

All fasteners are stainless steel to reduce corrosion. Impellers are dynamically balanced to improve efficiency and bearing life.

Standard carbon/ceramic and Viton mechanical seal is self-adjusting and corrosion resistant to handle almost any liquid.

Completely tested "Wet End" pumps are available with or without motors and can be mounted to standard "C" frame motors in just minutes.

PUMP SPECIFICATIONS

Suction & Discharge . . .	2" x 1 1/2"
Housing	Cast iron, bronze or aluminum with either vertical or horizontal discharge.
Impeller	Cast iron, bronze or aluminum
Shaft Sleeve	Stainless steel to fit either 5/8" or 3/4" shafts
Fasteners	All Stainless Steel or Bronze
Seals	Standard carbon/ceramic Viton. Special seal material available. (Consult the factory).

 **MP PUMPS, INC.**
TECUMSEH PRODUCTS COMPANY
34800 BENNETT DRIVE • FRASER, MI 48026-1686
(810) 293-8240 • FAX (810) 293-8469
800 563-8006

SERIES 130

2" x 1 1/2" CENTRIFUGAL PUMP

Close-Coupled to
Electric Motor

PUMPAK Only to Mount
to Standard NEMA "C"
Face Motor

1 1/2 HP • 2 HP • 3 HP

UP TO 160GPM
UP TO 60 FEET HEAD

Available in:

BRONZE ALUMINUM

CAST IRON

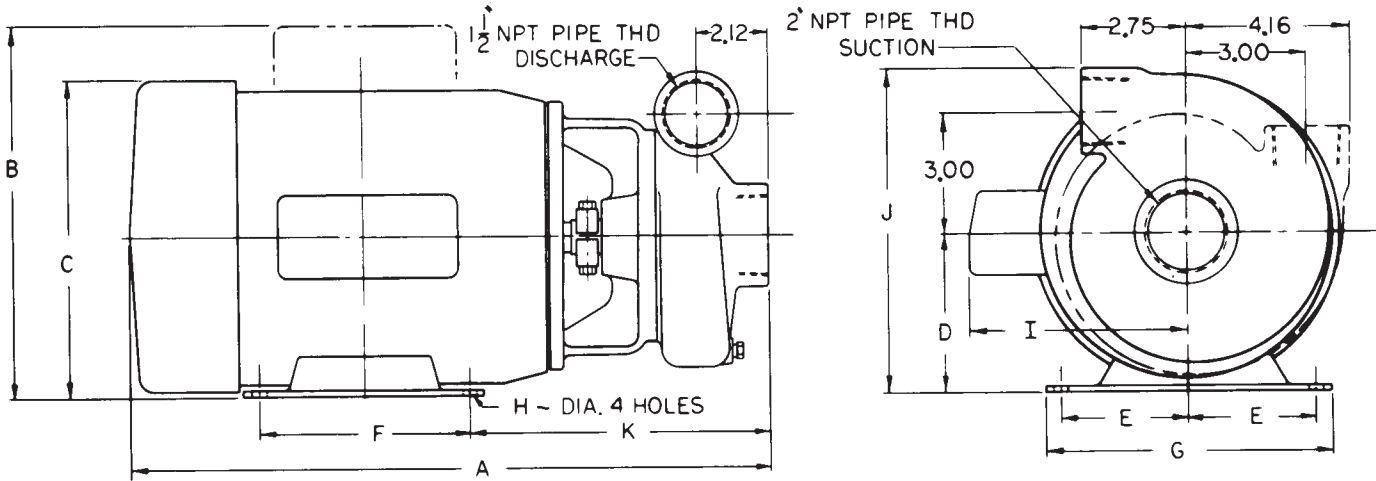
- VERTICAL OR HORIZONTAL DISCHARGE
- WITH OR WITHOUT ELECTRIC MOTOR

SERIES 130

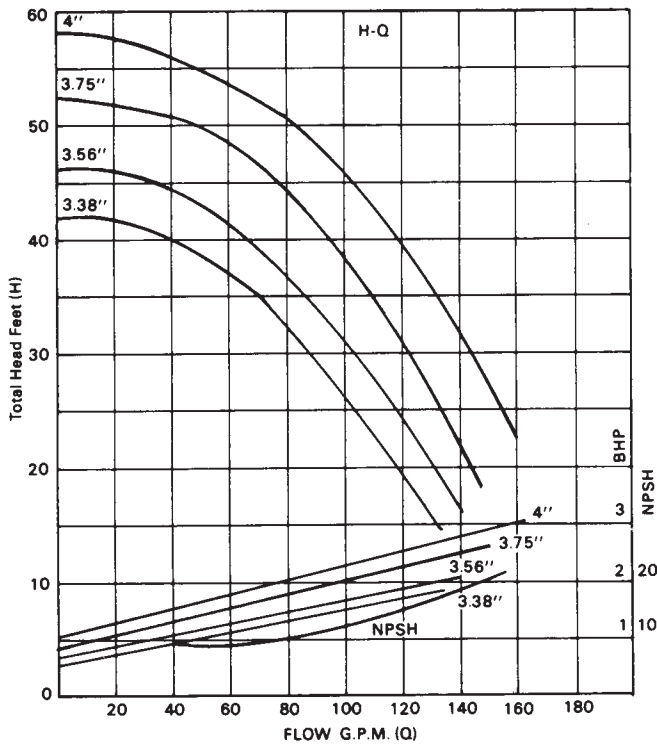
2" x 1 1/2"

**HIGH CAPACITY
CENTRIFUGAL
ELECTRIC MOTOR DRIVE**

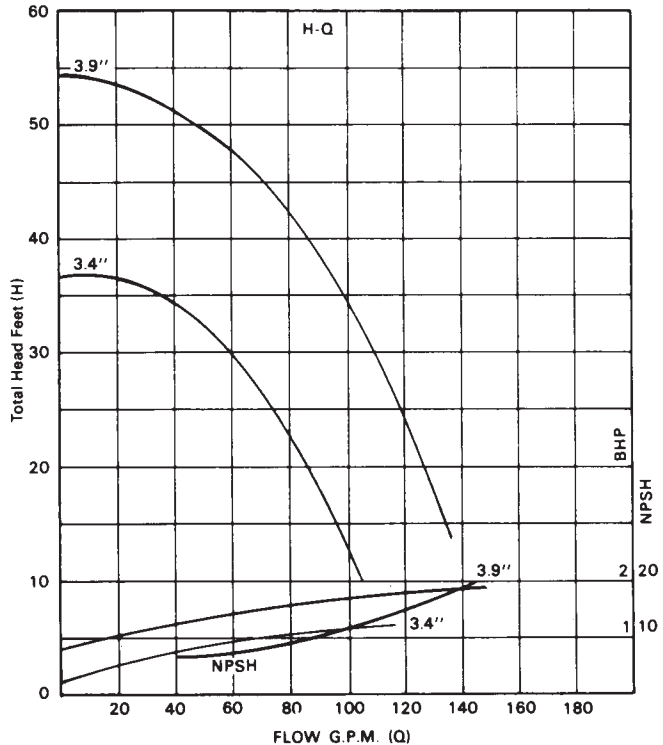
MOTOR			DIMENSION											
FRAME	H P	PH	ENCL	A	B	C	D	E	F	G	H	I	J	K
56C	1	3	TEFC	16,06		7,16	3,50	2,44	3,00	6,50	,34	5,25	7,66	8,36
56C	1,5	1	TEFC	17,06	9,12	7,16	3,50	2,44	3,00	6,50	,34	5,25	7,66	8,36
56C	1,5	3	TEFC	16,06		7,16	3,50	2,44	3,00	6,50	,34	5,25	7,66	8,36
56C	2	1	ODP	14,80	9,12	6,88	3,50	2,44	3,00	6,50	,34	5,25	7,66	8,36
56C	2	3	ODP	14,80		6,88	3,50	2,44	3,00	6,50	,34	5,25	7,66	8,36
56C	2	1	TEFC	17,92	9,12	7,16	3,50	2,44	3,00	6,50	,34	5,25	7,66	8,36
56C	2	3	TEFC	17,06		7,16	3,50	2,44	3,00	6,50	,34	5,25	7,66	8,36
145TC	2	3	ODP	14,80		6,88	3,50	2,75	5,00	6,50	,34	5,25	7,66	8,68
145TC	2	3	TEFC	17,06		7,16	3,50	2,75	5,00	6,50	,34	5,25	7,66	8,68
145TC	3	3	ODP	15,80		6,88	3,50	2,75	5,00	6,50	,34	5,25	7,66	8,68
145TC	3	3	TEFC	17,92		7,16	3,50	2,75	5,00	6,50	,34	5,25	7,66	8,68
184C	3	1	TEFC	19,36	10,68	8,75	4,50	3,75	5,50	8,62	,41	5,88	8,66	8,68
184C	3	3	ODP	16,42		8,44	4,50	3,75	5,50	8,62	,41	5,88	8,66	8,68



SERIES 130
2 x 1 1/2 CENTRIFUGAL PUMP
IMPELLER STYLE A
3450 RPM S.G. = 1.0



SERIES 130
2 x 1 1/2 CENTRIFUGAL PUMP
IMPELLER STYLE B
3450 RPM S.G. = 1.0



MP PUMPS, INC.
TECUMSEH PRODUCTS COMPANY
34800 BENNETT DRIVE • FRASER, MI 48026-1686
(810) 293-8240 • FAX (810) 293-8469

motralec
4 rue Lavoisier . ZA Lavoisier . 95223 HERBLAY CEDEX
Tel. : 01.39.97.65.10 / Fax. : 01.39.97.68.48
Demande de prix / e-mail : service-commercial@motralec.com

www.motralec.com