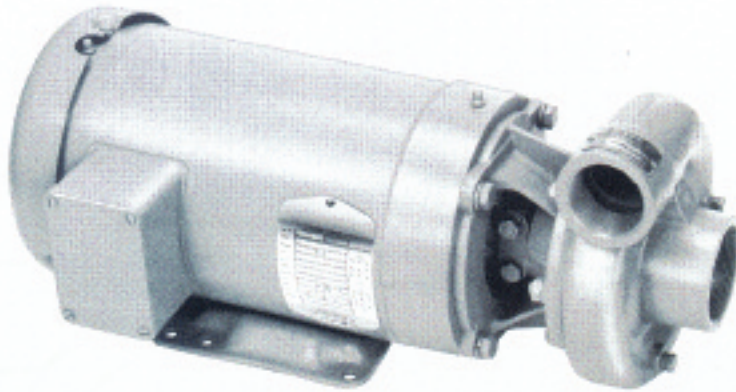


SERIES 110



130 GPM 1½" x 1¼"

Series 110 high volume centrifugal pumps are close-coupled to standard NEMA "C" face motors. Open adaptor protects motor. All models are available in cast iron or bronze construction to suit a wide variety of liquids.

All fasteners are stainless steel to reduce corrosion. Impellers are dynamically balanced to improve efficiency and bearing life.

Standard carbon/ceramic and Viton mechanical seal is self-adjusting and corrosion resistant to handle almost any liquid.

Completely tested "Wet End" pumps are available with or without motors and can be mounted to standard "C" frame motors in just minutes.

PUMP SPECIFICATIONS

Suction & Discharge ...	1½" x 1¼"
Housing	Cast iron or bronze
Impeller	Cast iron or bronze
Shaft Sleeve	Stainless steel to fit either ¾" or 7/8" shafts
Fasteners	All Stainless Steel or Bronze
Seals	Standard carbon/ceramic Viton. Special seal material available. (Consult the factory).

motralec

4 rue Lavoisier . ZA Lavoisier . 95223 HERBLAY CEDEX
Tel. : 01.39.97.65.10 / Fax. : 01.39.97.68.48
Demande de prix / e-mail : service-commercial@motralec.com

www.motralec.com



MP PUMPS, INC.

TECUMSEH PRODUCTS COMPANY

34800 BENNETT DRIVE • FRASER, MI 48026-1686
(810) 293-8240 • FAX (810) 293-8469

1½" x 1¼" CENTRIFUGAL PUMP

Close-Coupled to
Electric Motor
or
PUMPAK Only to Mount
to Standard NEMA "C"
Face Motor

¾ HP • 1 HP
1.5 HP • 2 HP

UP TO 130 GPM
UP TO 60 FEET HEAD

Available in:

**BRONZE OR
CAST IRON**

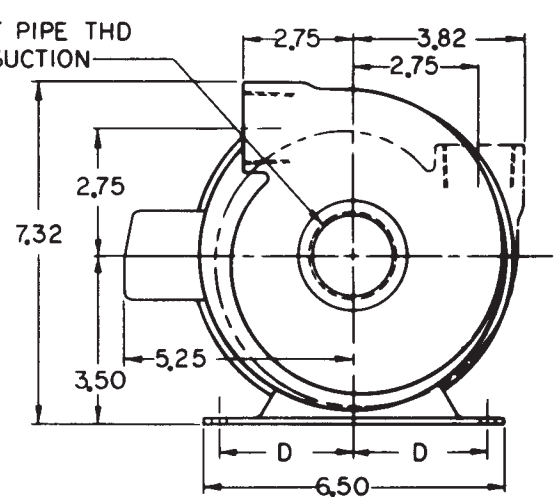
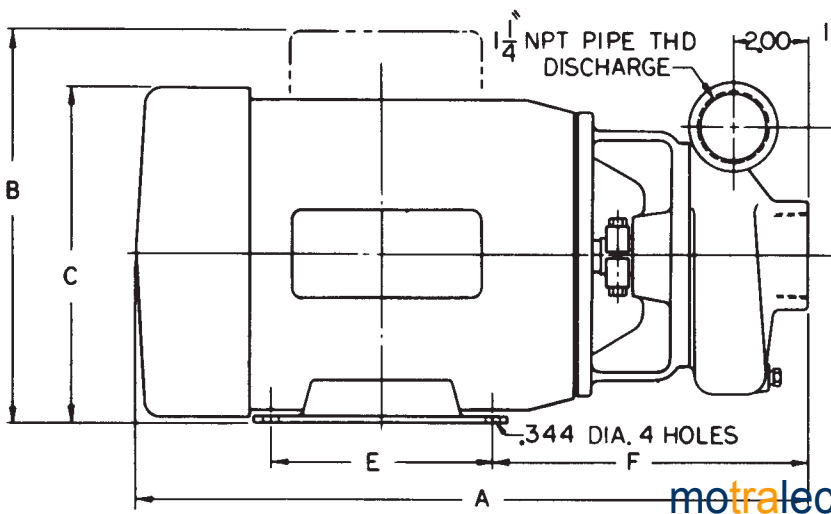
- VERTICAL OR HORIZONTAL DISCHARGE
- WITH OR WITHOUT ELECTRIC MOTOR

SERIES 110

1 1/2" x 1 1/4"

HIGH CAPACITY CENTRIFUGAL ELECTRIC MOTOR DRIVE

MOTOR				DIMENSION					
FRAME	H P	PH	ENCL	A	B	C	D	E	F
56C	3/4	1	TEFC	15,80	9,12	7,16	2,44	3,00	8,10
56C	3/4	3	TEFC	15,80		7,16	2,44	3,00	8,10
56C	1	1	ODP	14,54	9,12	6,88	2,44	3,00	8,10
56C	1	3	ODP	14,54		6,88	2,44	3,00	8,10
56C	1	1	TEFC	16,80	9,12	7,16	2,44	3,00	8,10
56C	1	3	TEFC	15,80		7,16	2,44	3,00	8,10
56C	1 1/2	1	TEFC	16,80	9,12	7,16	2,44	3,00	8,10
56C	1 1/2	3	ODP	14,54		6,88	2,44	3,00	8,10
56C	1 1/2	3	TEFC	15,80		7,16	2,44	3,00	8,10
56C	2	1	ODP	16,42	9,12	6,88	2,44	3,00	8,10
56C	2	1	TEFC	17,66	9,12	7,16	2,44	3,00	8,10
145TC	2	3	ODP	14,54		6,88	2,75	5,00	8,42
145TC	2	3	TEFC	16,80		7,16	2,75	5,00	8,42
145TC	3	3	TEFC	17,66		7,16	2,75	5,00	8,42



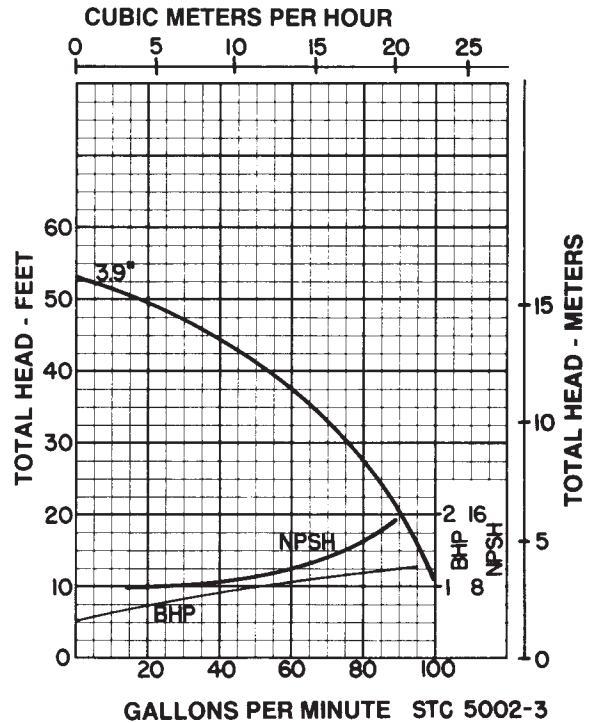
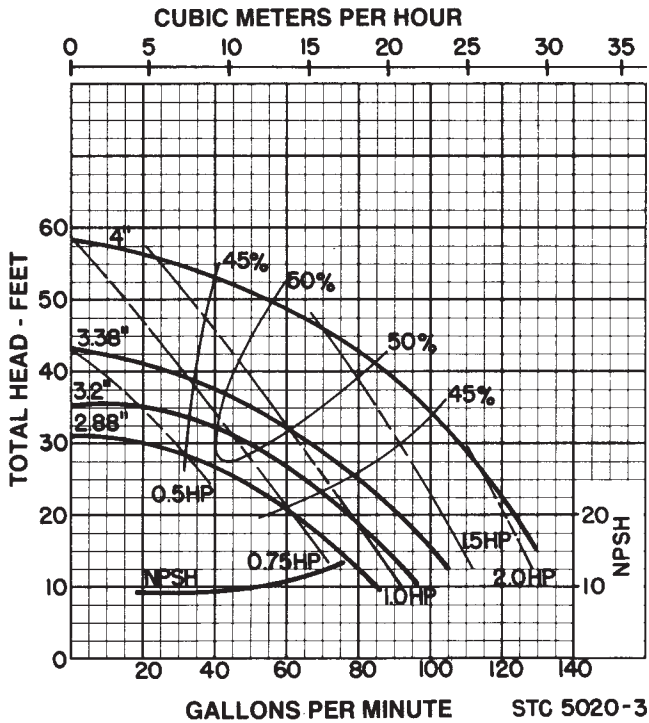
4 rue Lavoisier . ZA Lavoisier . 95223 HERBLAY CEDEX
Tel. : 01.39.97.65.10 / Fax. : 01.39.97.68.48

Demande de prix / e-mail : service-commercial@motralec.com

SERIES 110
1 1/2 x 1 1/4 CENTRIFUGAL PUMP
IMPELLER STYLE A
3450 RPM S.G. = 1.0

www.motralec.com

SERIES 110
1 1/2 x 1 1/4 CENTRIFUGAL PUMP
IMPELLER STYLE B
3450 RPM S.G. = 1.0



MP PUMPS, INC.
TECUMSEH PRODUCTS COMPANY
34800 BENNETT DRIVE • FRASER, MI 48026-1686
(810) 293-8240 • FAX (810) 293-8469