



MILROYAL D PUMPS

GENERAL SPECIFICATIONS

Drive

Polar Crank Design—All moving parts submerged in oil

Liquid Ends Available

High Performance Diaphragm (HPD) or Packed Plunger

Multiplexing

Up to 6 pumps driven by one motor standard. Consult Applications Engineering concerning capabilities for specific applications.

Maximum Performance Ratings (per head)

53 GPH @ 70 PSIG (200 L/H @ 5 Bar) to
0.5 GPH @ 3000 PSIG (1.9 L/H @ 207 Bar)

Capacity Control

Manual Micrometer standard
Electronic stroke length control or variable speed optional

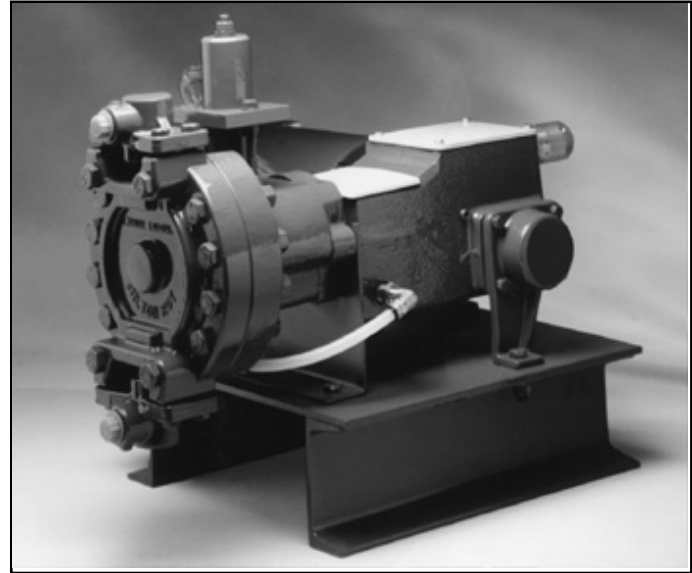
Accuracy—Steady State

±1.0% over 10:1 turndown ratio

Weight with Motor (simplex; approximate)

HPD = 195 lbs. (88 kg); Packed Plunger = 95 lbs. (43 kg)

MILROYAL D WITH HPD LIQUID END



TYPICAL PERFORMANCE (See note 1)

Packed Plunger

Plgr. Dia.	Gear Ratio Code	Max. Capacity		1/4 hp (0.25 kw)		1/3 hp (0.25 kw)	
		ml/H	GPH	Max. Disch. Press.			
				PSIG	Bar	PSIG	Bar
1/8" (3 mm)	60	305	0.081	300	21	-	-
	30	615	0.162	300	21	-	-
	15	1,200	0.316	300	21	-	-
	10	1,800	0.475	300	21	-	-
1/8" HP (3 mm)	60	125	0.033	3000	207	-	-
	30	245	0.065	3000	207	-	-
	15	480	0.126	3000	207	-	-
1/4" (6 mm)	60	1,230	0.325	300	21	-	-
	30	2,460	0.650	300	21	-	-
	15	4,800	1.270	300	21	-	-
	10	7,150	1.880	300	21	-	-
1/4" HP (6 mm)	60	495	0.131	3000	207	-	-
	30	985	0.260	3000	207	-	-
	15	1,920	0.508	3000	207	-	-
7/16" (11 mm)	60	3,785	1.000	1000	69	-	-
	30	7,570	2.000	1000	69	-	-
	15	15,520	4.100	1000	69	-	-
	10	23,090	6.100	1000	69	-	-
5/8" (16 mm)	60	7,950	2.100	650	45	-	-
	30	15,845	4.200	650	45	-	-
	15	31,795	8.400	-	-	650	45
	10	47,310	12.500	-	-	650	45

High Performance Diaphragm

Plgr. Dia.	Gear Ratio Code	Max. Capacity		1/3 hp (0.25 kw)		1/2 hp (0.37 kw)	
		L/H	GPH	Max. Disch. Press.			
				PSIG	Bar	PSIG	Bar
1" (25 mm)	60	19.7	5.2	220	15	-	-
	30	39.4	10.4	220	15	-	-
	15	76.5	20.2	190	13	220	15
1 1/4" (32 mm)	60	33.3	8.8	145	10	-	-
	30	66.2	17.5	130	9	145	10
	15	129	34.1	100	7	145	10
1 1/2" (38 mm)	60	51.5	13.6	70	5	-	-
	30	103	27.2	70	5	-	-
	15	200	53.0	-	-	70	5

NOTES:

1. Typical performance based on 1725 RPM, 60 hz motor. Derate flow rates for all other RPM speeds.
2. Plastic liquid ends are limited to 150 PSIG (10 Bar) @ 68°F (20°C) and are linearly derated to 65 PSIG (4 Bar) @ 140 °F (60°C).

motralec

4 rue Lavoisier . ZA Lavoisier . 95223 HERBLAY CEDEX

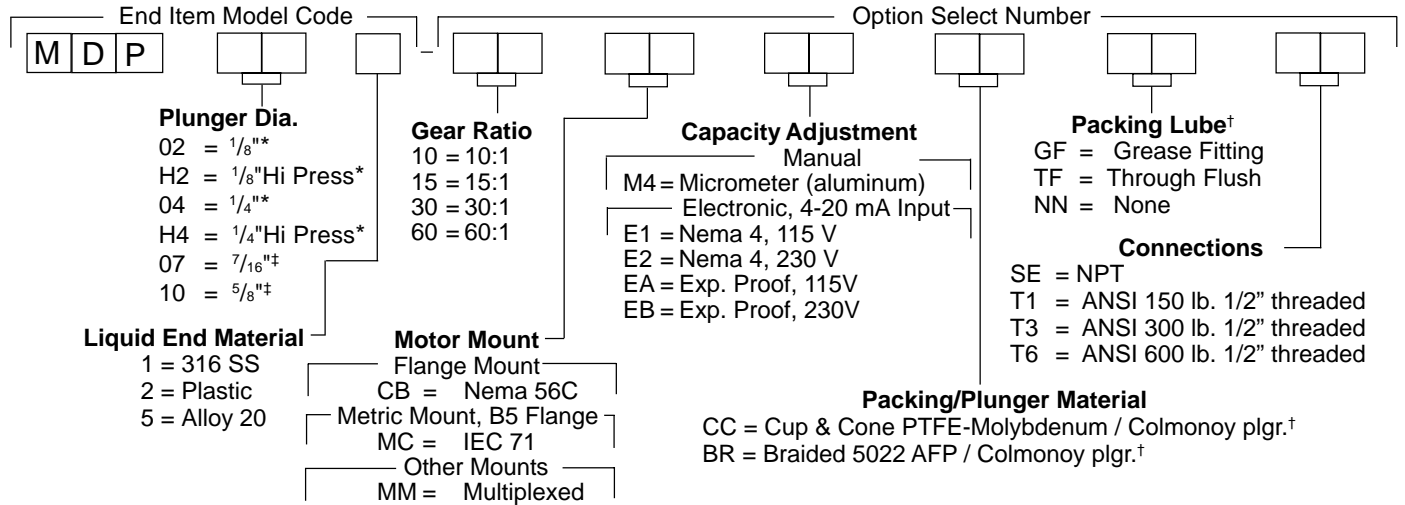
Tel. : 01.39.97.65.10 / Fax. : 01.39.97.68.48

Demande de prix / e-mail : service-commercial@motralec.com

www.motralec.com



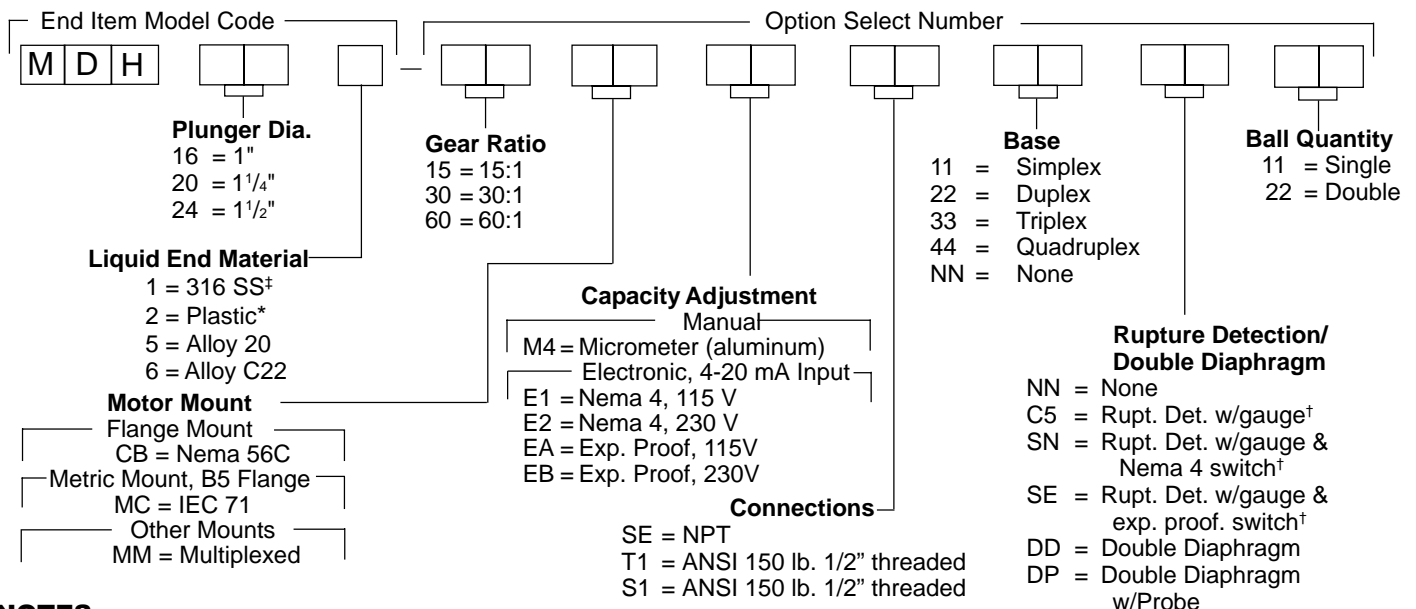
PACKED PLUNGER MODEL CODE



NOTES:

- * 1/4" & 1/8" plunger diameters are only available in Alloy 20 and Plastic liquid end materials and with packing lube NN.
- † Packing/plunger material code CC is only available with 1/8" and 1/4" plungers. Packing/plunger material code BR is only available with 7/16" & 5/8" plungers.
- ‡ 7/16" & 5/8" plunger diameters are only available in 316 SS and Alloy 20 liquid end materials. Ceramic balls with tungsten carbide seats are available on 7/16" & 5/8" plunger diameter pumps with 316 SS liquid end (for slurry service).

HIGH PERFORMANCE DIAPHRAGM (HPD) MODEL CODE



NOTES:

- * Plastic liquid ends are available with double ball checks only.
- † Rupture detection options C5, SN, and SE are only available on metallic liquid ends.
- ‡ Ceramic balls with tungsten carbide seats are available on 316 SS liquid ends (for slurry service).



MATERIALS OF CONSTRUCTION

Packed Plunger Liquid End

Material of Construction	Liquid End	Ball Checks	Ball Seats	Plunger	Cartridge Body	Packing	Gland Cap
Plastic	PVC	Sapphire	PVC	Ceramic	PVC	PTFE	PVC
Alloy 20	Alloy 20	Alloy 20 ‡	Alloy 20	Colmonoy	Alloy 20	PTFE	Alloy 20
316 SS	316 SS	316 SS	316 SS	Colmonoy	316 SS	PTFE	316 SS

NOTES:

‡ Ball checks in high pressure liquid end are sapphire.

High Performance Diaphragm (HPD)

Material of Construction	Diaphragm	Diaphragm Head	Port Connection	Ball Seat	Ball Check	Ball Guide
316 SS	PTFE/Elastomer	316 SS CF-8M *	316 SS CF-8M *	316 SS	316 SS	316 SS CF-8M *
Alloy 20	PTFE/Elastomer	20CB-3 CN-7M †	20CB-3 CN-7M †	20CB-3	20CB-3	20CB-3 CN-7M †
Plastic	PTFE/Elastomer	PVC	PVC	PVC	Ceramic	PVC
Alloy C22	PTFE/Elastomer	Alloy C22 CX2MW ‡	Alloy C22 CX2MW ‡	Alloy C22	Alloy C276	Alloy C22 CX2MW ‡

NOTES:

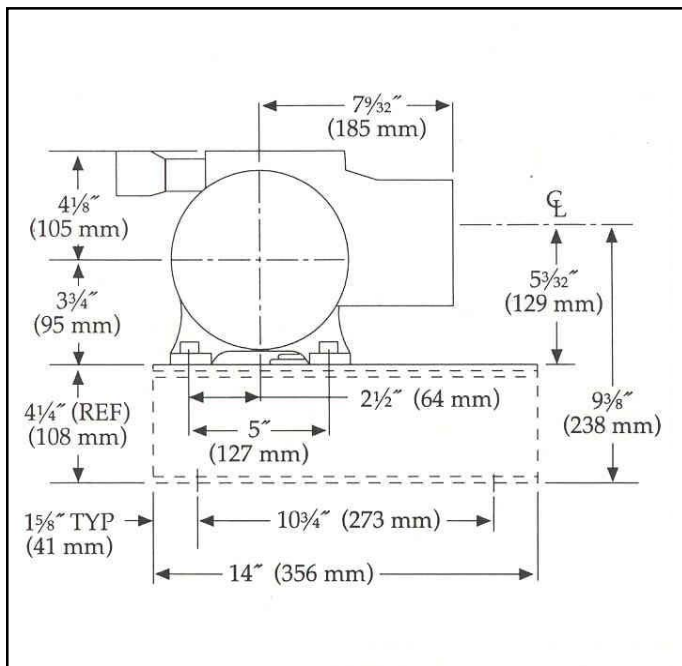
* CF-8M is the cast equivalent to wrought 316 SS.

† CN-7M is the cast equivalent to wrought 20CB-3.

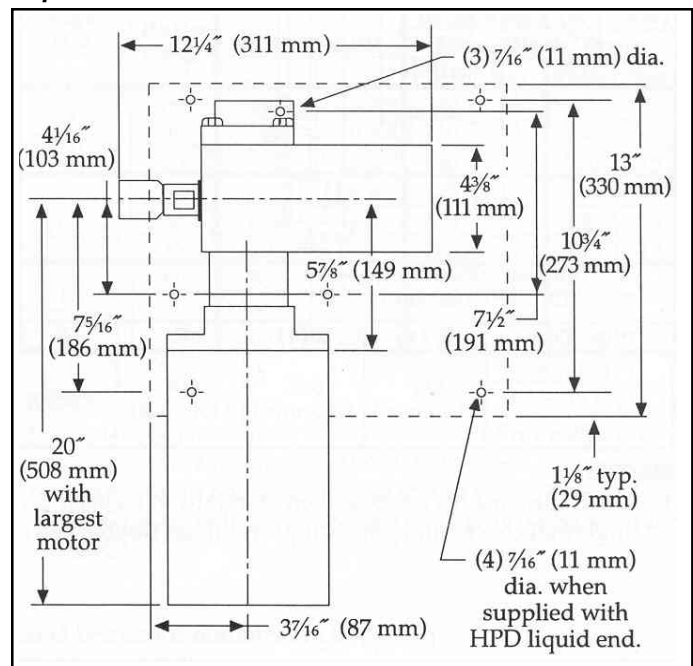
‡ CX2MW is the cast equivalent to wrought Alloy C22.

DRIVE DIMENSIONS

Side View



Top View



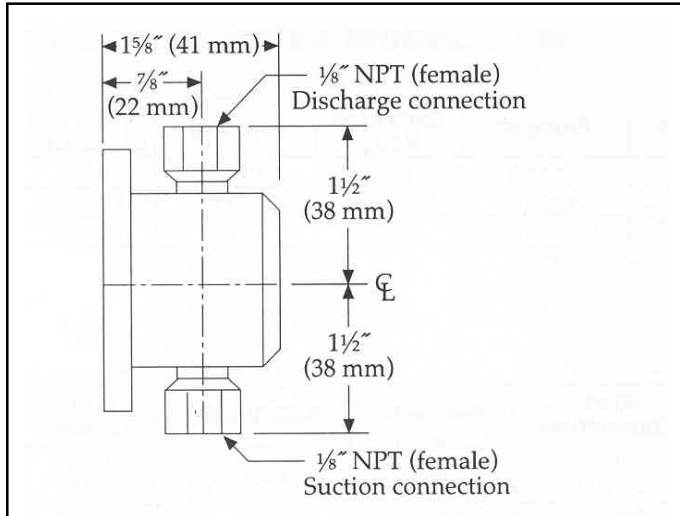
NOTE:

Base (shown as dotted lines) supplied only with HPD liquid end.

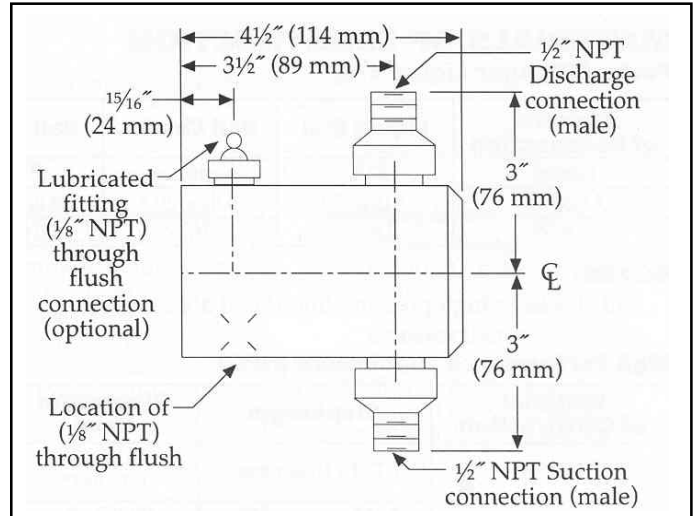


PACKED PLUNGER LIQUID END DIMENSIONS

1/8" & 1/4" Diameter Plunger

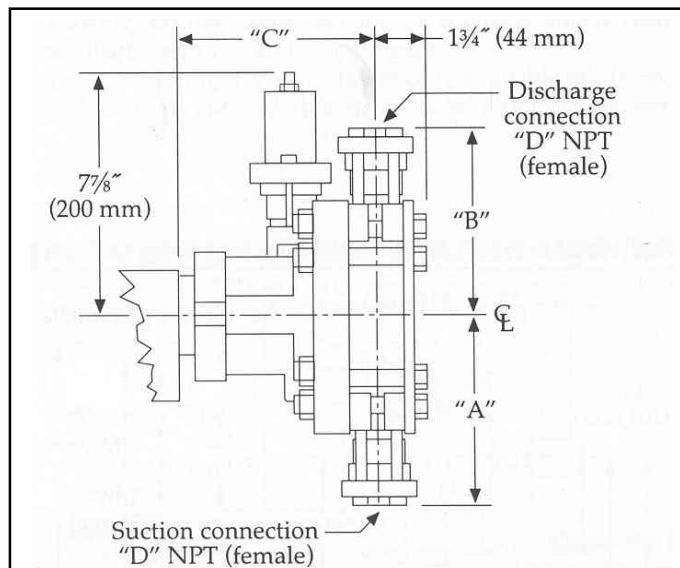


7/16" & 5/8" Diameter Plunger

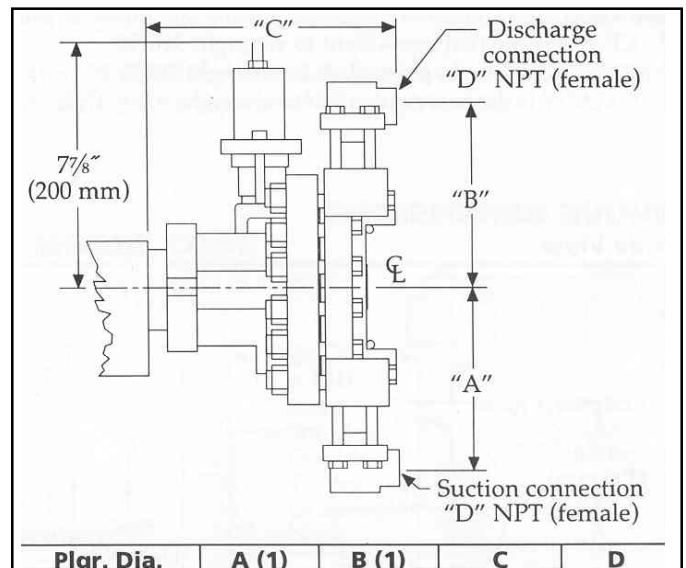


HIGH PERFORMANCE DIAPHRAGM (HPD) LIQUID END DIMENSIONS

Plastic Liquid End



Metallic Liquid End



Plgr. Dia.	A (1)	B (1)	C	D
1" (25 mm)	6 1/2" (165 mm)	6 1/2" (165 mm)	6 5/8" (156 mm)	1/2"
1 1/4" (32 mm)				
1 1/2" (38 mm)				

Plgr. Dia.	A (1)	B (1)	C	D
1" (25 mm)	4 13/16" (122 mm)	4 13/16" (122 mm)	7 7/8" (200 mm)	1/2"
1 1/4" (32 mm)	5 7/32" (133 mm)	5 7/32" (133 mm)	7 5/8" (194 mm)	1/2"
1 1/2" (38 mm)				

NOTE:

1. A & B dimensions are based on standard ball check configuration and single diaphragm, where metallic liquid end has single ball checks and plastic liquid end has double ball checks. Consult factory for dimensions on optional configurations.

All information contained herein is subject to change without notice.

motralec

4 rue Lavoisier . ZA Lavoisier . 95223 HERBLAY CEDEX
 Tel. : 01.39.97.65.10 / Fax. : 01.39.97.68.48
 Demande de prix / e-mail : service-commercial@motralec.com

www.motralec.com