



MILTON ROY

maxRoy B

PD 3551

Effective 5/1/98

MAXROY B PUMPS

MAXROY B (Shown with optional Leak Detection)

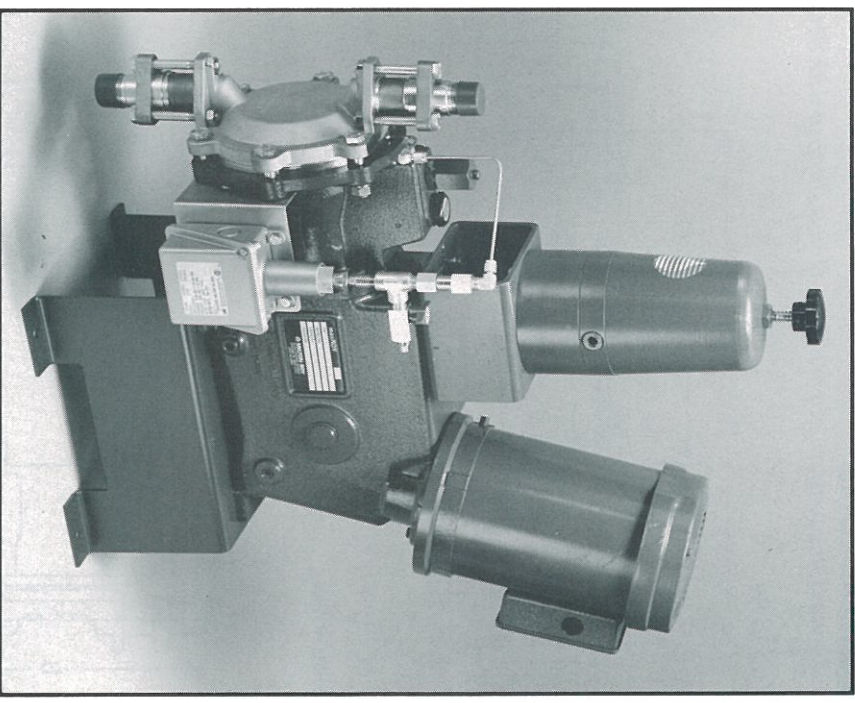
KEY SPECIFICATION FEATURES

- Steady State Accuracy of $\pm 1.0\%$ when operating between 10 and 100% of full range.
- Hydraulically actuated diaphragm.
- Long-life rugged construction, cast iron gear box housing.
- Compact size.
- High precision balls and seats for reliable sealing.
- Manual or automatic flow control, adjustable while running or stopped.
- PTFE coated diaphragm with integral O-ring.
- Superior liquid end design does not require a flow restricting contour plate.
- All mechanical components operate in an oil bath.
- Integral air bleed system.
- Double ball checks available upon request.

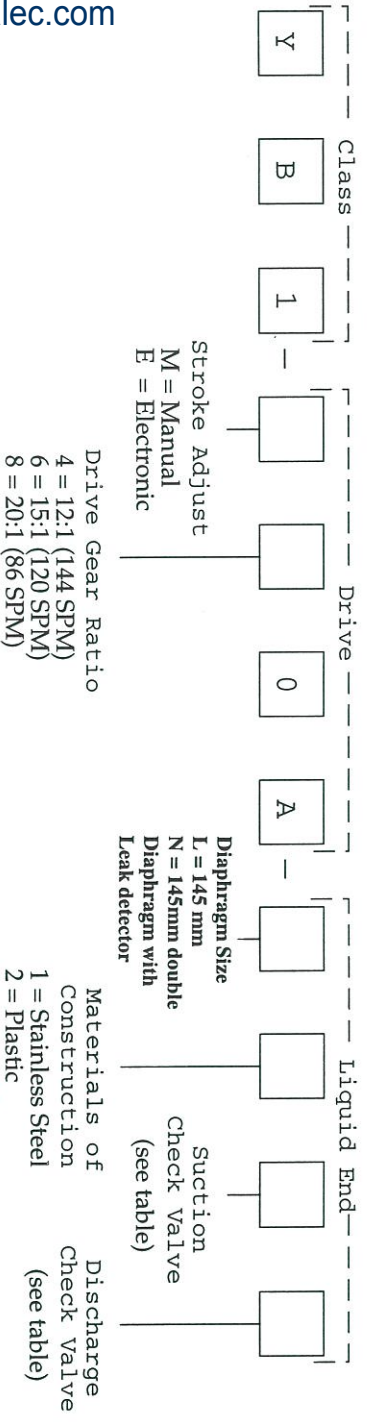
TYPICAL PERFORMANCE

GPH at Max. Stroke Setting & 1725 RPM Motor Speed						
SPM	Gear Ratio Code	50 PSIG	75 PSIG	100 PSIG	125 PSIG	150 PSIG
86	8	140	138	137	136	135
120	6	195	193	192	191	190
144	4	232	231	230	228	226

- ¼HP, 3 phase or ¾HP, 1 phase
- ¼HP, 3 phase or 1 HP, 1 phase
- 1 HP, 3 phase or 1½HP, 1 phase



MODEL NOMENCLATURE



Code	Description	Metal (3)	Plastic (3)
A	1" Ansi Flg. Vert.	150# RF	150# FF
D(2)	1" - 11 ½ NPT Vert.	Male	Male
G	1" Ansi Flg. Horiz.	150# RF	Not Std.

www.motralec.com

motralec

4 rue Lavoisier . ZA Lavoisier . 95223 HERBLAY CEDEX

Tel. : 01.39.97.65.10 / Fax. : 01.39.97.68.48

Demande de prix / e-mail : service-commercial@motralec.com

NOTES:

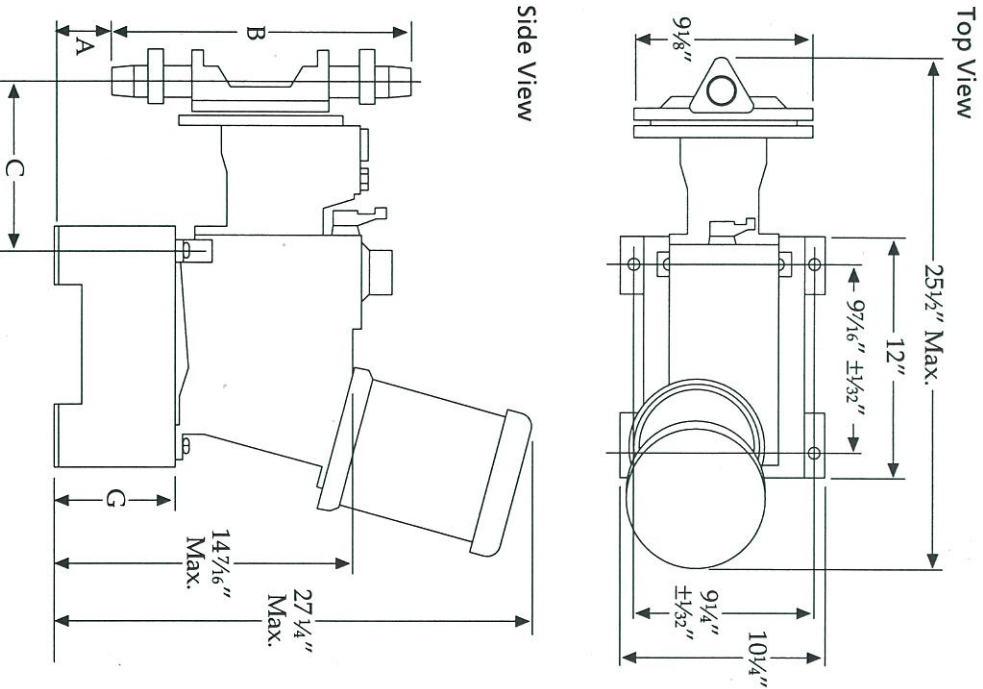
- (1) When applying a diaphragm rupture detection system, derate capacity by 5%.
- (2) Check Valve Selection code "D" is standard.
- (3) 1" single ball is standard, except plastic discharge valve has spring loaded double ball.

MAXROY B



DIMENSIONS

Estimated shipping weight is 165 lbs. Unit is shipped with detachable base to facilitate installation.



Model Number	Dimensions			
	A	B	C	D
YB1 0A - L1AA	2-5/8	15-7/16	8-3/8	6
YB1 0A - L5AA	2-5/8	15-7/16	8-3/8	6
YB1 0A - L2AA	3-5/16	23	8-5/16	10-1/2
YB1 0A - L1DD	2-13/16	15-1/16	8-3/8	6
YB1 0A - L2DD	3-13/16	20-13/16	8-5/16	6
YB1 0A - L5DD	2-3/16	15-1/16	8-3/8	6
YB1 0A - L1GG	6-5/16	17-1/16	8-3/8	10-1/2
YB1 0A - L5GG	6-5/16	17-1/16	8-3/8	10/1/2

motralec
 4 rue Lavoisier . ZA Lavoisier . 95223 HERBLAY CEDEX
 Tel. : 01.39.97.65.10 / Fax. : 01.39.97.68.48
 Demande de prix / e-mail : service-commercial@motralec.com
www.motralec.com

www.motralec.com
service-commercial@motralec.com

MATERIALS OF CONSTRUCTION

Materials Group	Diaphragm Head	Ball Guide	Seats	Ball Checks	Diaphragm
Stainless Steel	316 SS	316 SS	316 SS	316 SS	PTFE
Plastic	PVC	PVC	UHMW Polyethylene	Ceramic	PTFE
Alloy 20	Alloy 20	Alloy 20	Alloy 20	Alloy 20	PTFE

All information contained herein subject to change without notice.