



ITT

motralec

4 rue Lavoisier . ZA Lavoisier . 95223 HERBLAY CEDEX
Tel. : 01.39.97.65.10 / Fax. : 01.39.97.68.48
Demande de prix / E-mail : service-commercial@motralec.com
www.motralec.com

Lowara

General Catalogue

TLC Series

In-line wet rotor circulators for residential systems, fixed speed with manual adjustment.

SPECIFICATIONS

Delivery: up to 4 m³/h

Head: up to 7 m

Power supply: single-phase 50 Hz

Maximum power: 35 W to 89 W

Maximum operating pressure:
10 bar

Temperature of pumped liquid:
+2°C to +110°C

Insulation class: H

Protection: IP44

MATERIALS

Pump body: Cast iron cathodically coated

Impeller: Composite material

Shaft: Ceramic

Lower sleeve: Stainless steel

Wear Ring: Ceramic

Bearings: Ceramic

Elastomers: EPDM

APPLICATIONS

- Water circulation in heating and air-conditioning systems
- Pumping of chemically and mechanically non-aggressive hot or cold water



Engineered for life



General Catalogue

TLC SERIES – HYDRAULIC PERFORMANCE TABLE

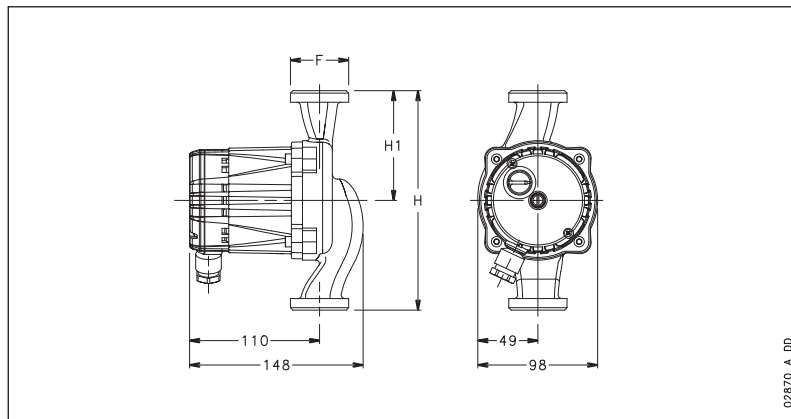
PUMP TYPE	ABSORBED POWER W	NOMINAL INTENSITY A	CAPACITOR		SPEED min ⁻¹	Q = DELIVERY								
						l/min 0	10	20	28	33	40	47	53	64
						m ³ /h 0	0,6	1,2	1,7	2,0	2,4	2,8	3,2	3,9
230V 50Hz						H = TOTAL HEAD METRES COLUMN OF WATER								
TLC 15-4	33	0,14	1,5	400	1	3,5	2,7	1,8	1,2	0,8				
TLC 25-4 (L)	39	0,17			2	3,9	3,2	2,4	1,9	1,6	1,1			
TLC 32-4L	44	0,19			3	4,2	3,5	2,8	2,2	1,9	1,5	0,9		
TLC 15-6	43	0,19	2,0	400	1	3,4	2,3	1,5	0,9					
TLC 25-6 (L)	65	0,28			2	5,2	4,1	3,0	2,1	1,7	1,1			
TLC 32-6L	80	0,34			3	6,2	5,6	4,7	4,0	3,6	3,0	2,4	1,8	

Performances according to standards EN 1151-1

tlc-2p50-en_a_th

2

TLC SERIES – DIMENSIONS AND WEIGHTS



02870_A_DD

TLC SERIES – DIMENSIONS AND WEIGHTS TABLE

	DIMENSIONS (mm)				
TLC 15-2.5	130	65	R ½	15	2,6
L	180	90	R 1	25	2,7
TLC 32-2.5L	180	90	R 1¼	32	2,8
TLC 15-4	130	65	R ½	15	2,6
TLC 25-4	130	65	R 1	25	2,7
TLC 25-4L	180	90	R 1	25	2,7
TLC 32-4L	180	90	R 1¼	32	2,8
TLC 15-5	130	65	R ½	15	2,6
TLC 25-5	130	65	R 1	25	2,7
TLC 25-5L	180	90	R 1	25	2,7
TLC 32-5L	180	90	R 1¼	32	2,8
TLC 15-6	130	65	R ½	15	2,6
TLC 25-6	130	65	R 1	25	2,7
TLC 25-6L	180	90	R 1	25	2,8
TLC 32-6L	180	90	R 1¼	32	2,8
TLC 15-7	130	65	R ½	15	2,6
TLC 25-7L	180	90	R 1	25	2,8
TLC 32-7L	180	90	R 1¼	32	2,8

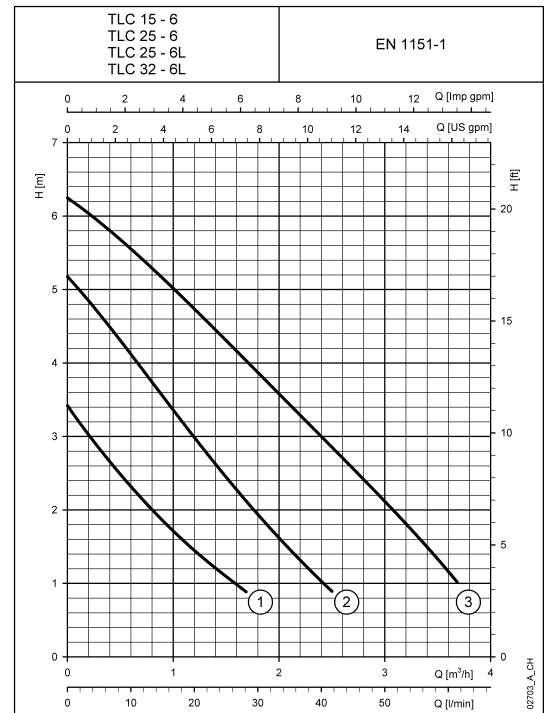
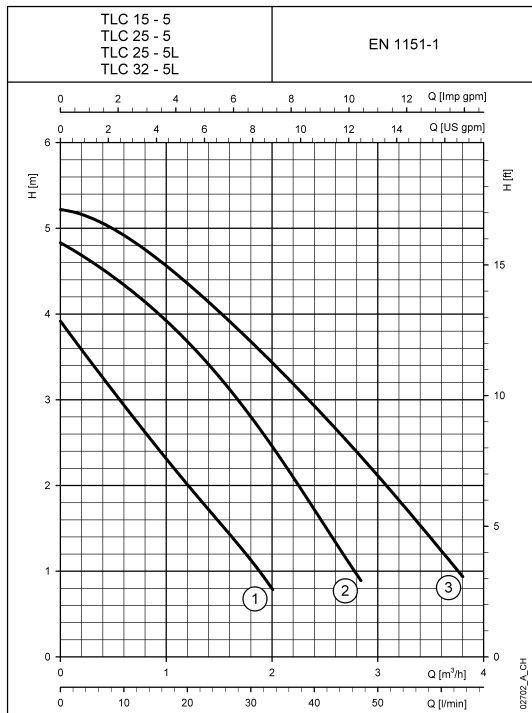
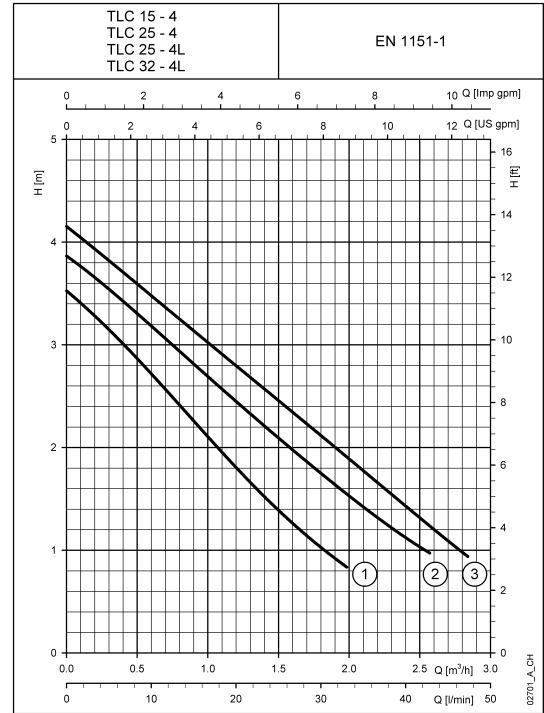
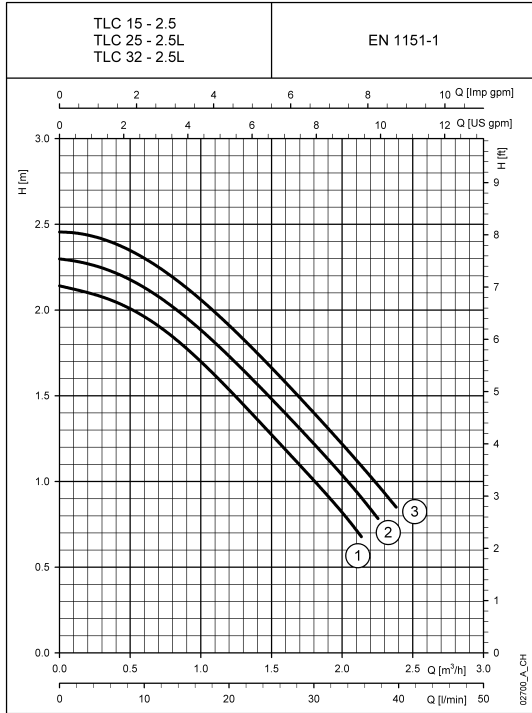
tlc-2p50-en_a_td

Engineered for life



TLC SERIES SINGLE-PHASE OPERATING CHARACTERISTICS

2



These performances are valid for liquids with density $\rho = 1.0 \text{ kg/dm}^3$ and kinematic viscosity $\nu = 1 \text{ mm}^2/\text{s}$.

Engineered for life

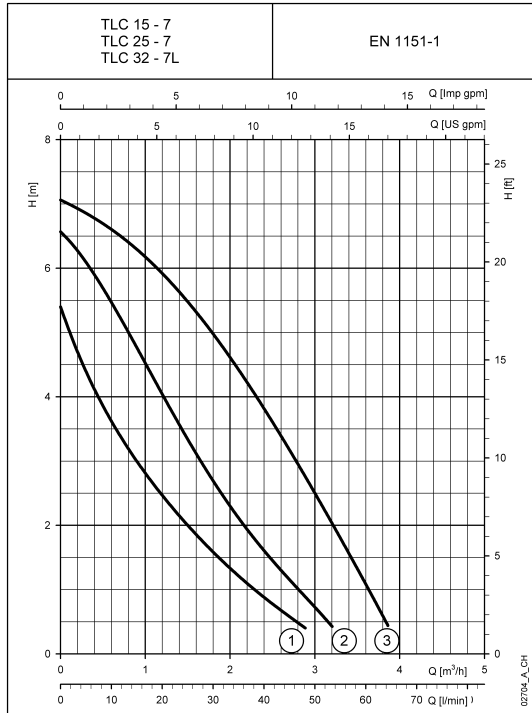


ITT

Lowara

General Catalogue

TLC SERIES SINGLE-PHASE OPERATING CHARACTERISTICS



2

These performances are valid for liquids with density $\rho = 1.0 \text{ kg/dm}^3$ and kinematic viscosity $\nu = 1 \text{ mm}^2/\text{s}$.

Engineered for life

motralec
4 rue Lavoisier . ZA Lavoisier . 95223 HERBLAY CEDEX
Tel. : 01.39.97.65.10 / Fax. : 01.39.97.68.48
Demande de prix / E-mail : service-commercial@motralec.com
www.motralec.com