



# ITT

motralec

4 rue Lavoisier . ZA Lavoisier . 95223 HERBLAY CEDEX  
Tel. : 01.39.97.65.10 / Fax. : 01.39.97.68.48  
Demande de prix / E-mail : service-commercial@motralec.com  
www.motralec.com

## Lowara

### General Catalogue

## TLCSOL Series

*In-line wet rotor circulators for water circulation in solar systems, fixed speed with manual adjustment.*

2

### SPECIFICATIONS

**Delivery:** up to 5.5 m<sup>3</sup>/h

**Head:** up to 6 m

**Power supply:** single-phase 50 Hz

**Maximum power:** 70 W to 100 W

**Maximum operating pressure:**  
10 bar

**Temperature of pumped liquid:**  
-10°C to +110°C (+130°C can be reached  
for max 2h)

**Insulation class:** H

**Protection:** IP44

**Resin-cast stator** to avoid water  
condensation inside the motor

### MATERIALS

**Pump body:** Cast iron cataphoretically  
coated

**Impeller:** Composite material

**Shaft:** Ceramic

**Lower sleeve:** Stainless steel

**Wear Ring:** Ceramic

**Bearings:** Ceramic

**Elastomers:** EPDM

### APPLICATIONS

- Circulating of hot water in solar systems



*Engineered for life*



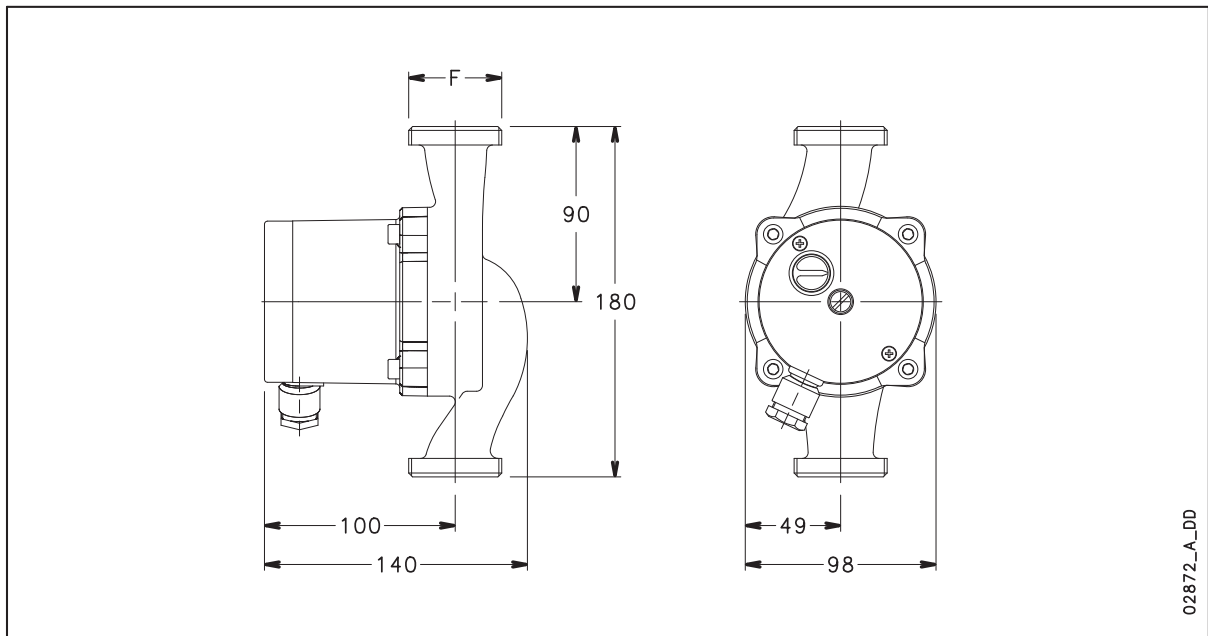
### TLCSOL SERIES – HYDRAULIC PERFORMANCE TABLE

PUMP TYPE	ABSORBED POWER W	NOMINAL INTENSITY A	CAPACITOR		SPEED min <sup>-1</sup>	Q = DELIVERY									
						H = TOTAL HEAD METRES COLUMN OF WATER									
						10	20	25	30	40	50	60	70		
230V 50Hz			μF	V		0,6	1,2	1,5	1,8	2,4	3,0	3,6	4,2		
TLCSOL 15-4	40	0,19	2,0	400	1	2,9	2,6	2,1	1,9	1,6	1,0				
TLCSOL 25-4L	59	0,28			2	3,5	3,2	2,9	2,6	2,4	1,8	1,2			
	70	0,33			3	4,0	3,8	3,4	3,3	3,0	2,5	2,0	1,3		
TLCSOL 15-6	56	0,27	3,0	400	1	3,0	1,8	1,2	0,9	0,6					
TLCSOL 25-6L	83	0,37			2	4,7	3,6	2,7	2,3	1,9	1,2	0,7			
	100	0,44			3	5,7	5,0	4,3	4,0	3,7	3,0	2,4	1,8	1,2	

Performances according to standards EN 1151-1

tlcsol-2p50-en\_a\_th

### TLCSOL SERIES – DIMENSIONS AND WEIGHTS



02872\_A\_DD

### TLCSOL SERIES – DIMENSIONS AND WEIGHTS TABLE

PUMP TYPE	DIMENSIONS (mm)				WEIGHT kg
	H	H1	F	DN	
TLCSOL 15-4	130	65	R 1/2	15	3
TLCSOL 25-4L	180	90	R 1	25	3
TLCSOL 15-6	130	65	R 1/2	15	3
TLCSOL 25-6L	180	90	R 1	25	3

tlcsol-2p50-en\_a\_td

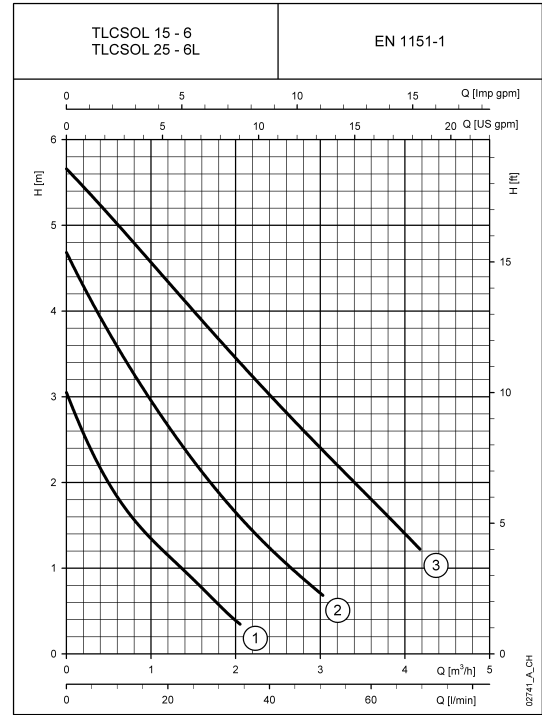
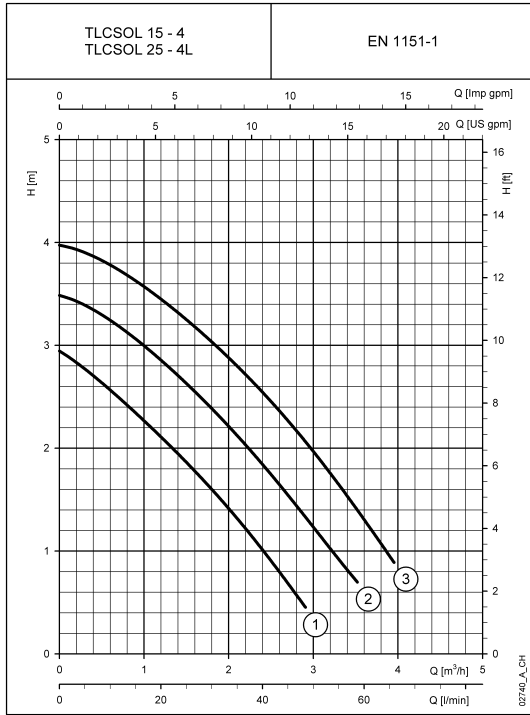


# ITT

# Lowara

## General Catalogue

### TLCSOL SERIES SINGLE-PHASE OPERATING CHARACTERISTICS



# 2

These performances are valid for liquids with density  $\rho = 1.0 \text{ kg/dm}^3$  and kinematic viscosity  $\nu = 1 \text{ mm}^2/\text{s}$ .

*Engineered for life*

**motralec**  
 4 rue Lavoisier . ZA Lavoisier . 95223 HERBLAY CEDEX  
 Tel. : 01.39.97.65.10 / Fax. : 01.39.97.68.48  
 Demande de prix / E-mail : [service-commercial@motralec.com](mailto:service-commercial@motralec.com)  
[www.motralec.com](http://www.motralec.com)