



ITT

motralec

4 rue Lavoisier . ZA Lavoisier . 95223 HERBLAY CEDEX
Tel. : 01.39.97.65.10 / Fax. : 01.39.97.68.48
Demande de prix / E-mail : service-commercial@motralec.com
www.motralec.com

Lowara

General Catalogue

TLCB Series

In-line wet rotor circulators for hot water circulation, fixed speed with manual adjustment, bronze pump body.

SPECIFICATIONS

Delivery: up to 4 m³/h

Head: up to 6 m

Power supply: single-phase 50 Hz

Maximum power: 58 W to 100 W

Maximum operating pressure:
10 bar

Temperature of pumped liquid:
+2°C to +110°C

Insulation class: H

Protection: IP44

MATERIALS

Pump body: Bronze

Impeller: Composite material

Shaft: Ceramic

Lower sleeve: Stainless steel

Bearings: Ceramic

Elastomers: EPDM

APPLICATIONS

- Residential hot water systems



Engineered for life



General Catalogue

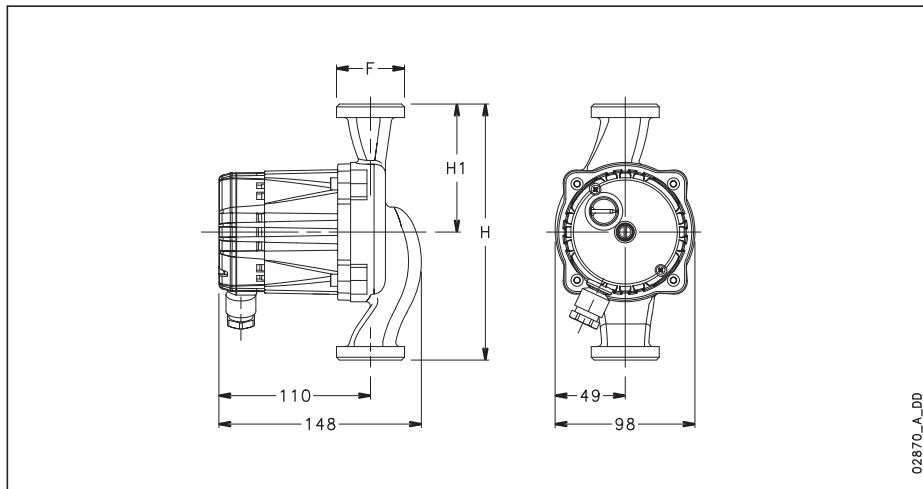
TLCB SERIES – HYDRAULIC PERFORMANCE TABLE

PUMP TYPE	ABSORBED POWER	NOMINAL INTENSITY	CAPACITOR		SPEED	Q = DELIVERY												
			μF	V		l/min	10	20	25	30	40	50	60	70				
230V 50Hz	W	A			min^{-1}	m^3/h	0,6	1,2	1,5	1,8	2,4	3,0	3,6	4,2				
H = TOTAL HEAD METRES COLUMN OF WATER																		
TLCB 15-3	33	0,17	2,0	400	1	1,3	0,6	0,2										
TLCB 20-3M	48	0,25			2	2,5	1,7	1,0	0,8	0,5								
TLCB 25-3	63	0,30			3	3,0	2,7	2,2	2,0	1,7	1,1							
TLCB 15-6	56	0,27	3,0	400	1	3,1	1,9	1,2	0,9	0,6								
TLCB 20-6M	83	0,37			2	4,7	3,6	2,7	2,3	1,9	1,2	0,7						
TLCB 25-6L	100	0,44			3	5,6	5,0	4,4	4,0	3,7	3,1	2,4	1,8	1,2				

Performances according to standards EN 1151-1

t1cb-2p50-en_a_th

TLCB SERIES – DIMENSIONS AND WEIGHTS



02870_A_DD

TLCB SERIES – DIMENSIONS AND WEIGHTS TABLE

PUMP TYPE	DIMENSIONS (mm)				WEIGHT
	H	H1	F	DN	
TLCB 20-1.5M	150	75	R 3/4	20	3
TLCB 15-3	130	65	R 1/2	15	2,9
TLCB 25-3	130	65	R 1	25	3
TLCB 20-4M	150	75	R 3/4	20	3
TLCB 25-4L	180	90	R 1	25	3,1
TLCB 15-6	130	65	R 1/2	15	2,9
TLCB 20-6M	150	75	R 3/4	20	3
TLCB 25-6L	180	90	R 1	25	3,1

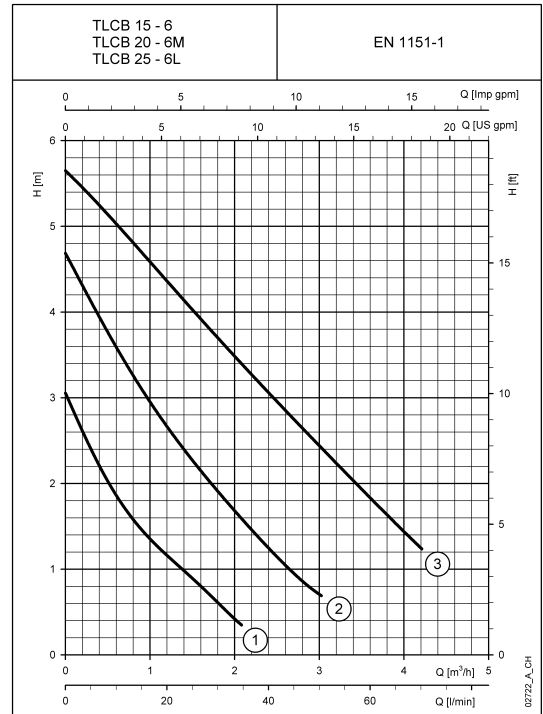
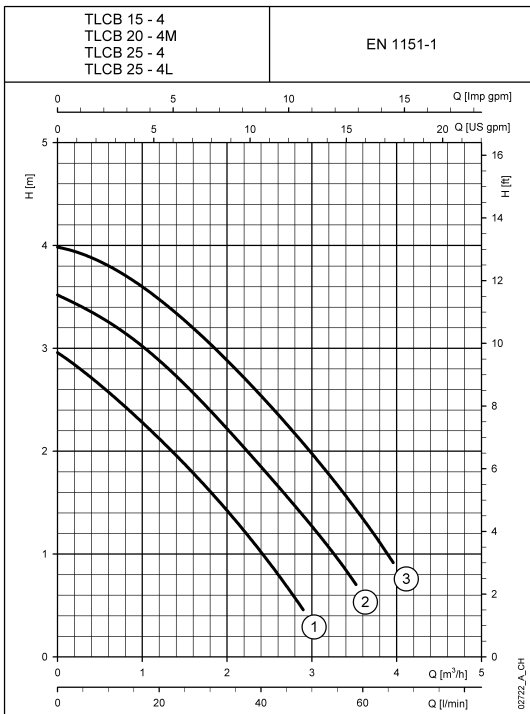
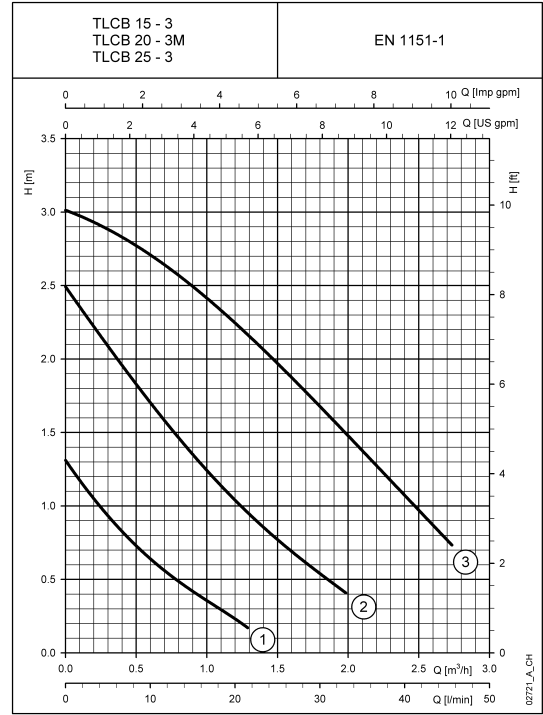
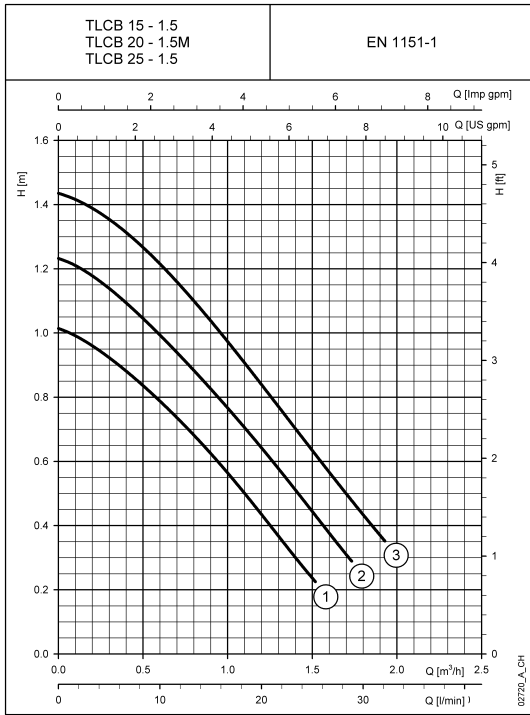
t1cb-2p50-en_a_td

Engineered for life



TLCB SERIES SINGLE-PHASE OPERATING CHARACTERISTICS

2



These performances are valid for liquids with density $\rho = 1.0 \text{ kg/dm}^3$ and kinematic viscosity $\nu = 1 \text{ mm}^2/\text{s}$.

Engineered for life

motralec

4 rue Lavoisier . ZA Lavoisier . 95223 HERBLAY CEDEX

Tel. : 01.39.97.65.10 / Fax. : 01.39.97.68.48

Demande de prix / E-mail : service-commercial@motralec.com

www.motralec.com