



ITT

Lowara

General Catalogue

QGMC Series

Single-phase electric panels for the protection and control of a single-phase drainage pump with external capacitor.

SPECIFICATIONS

Automatic control through external contact

Supply voltage: 1 x 230 V \pm 10%

Frequency: 50 Hz

Power: 0.75 to 2.2 kW

Direct motor starting

Protection: IP55

Ambient temperature: -5 to +40 °C

(limit specified by EN standard 60439-1)

Maximum relative humidity: 50% at +40°C provided that no condensation occurs (limit specified by EN standard 60439-1)

Wall mounted

Plastic enclosure

Built-in run capacitor

Built-in start capacitor

Built-in starter

Main switch with thermal protection



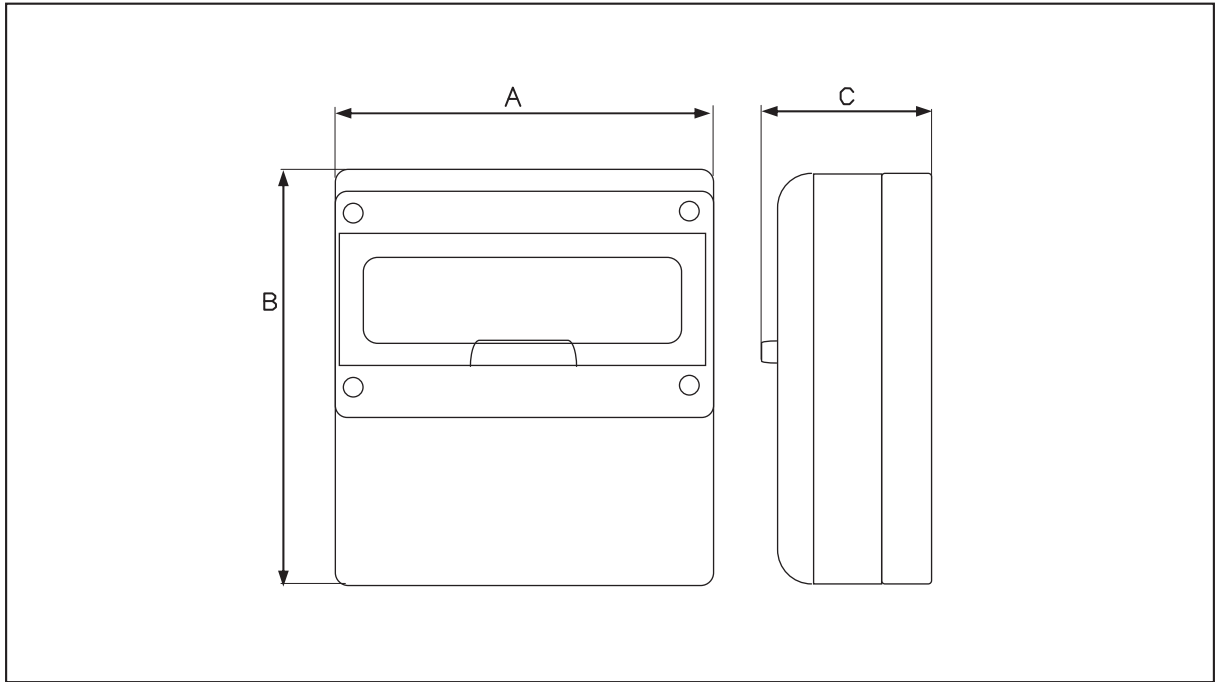
For proper electric panel-electric pump selection, make sure that the Ampere input of the motor falls within the rated current range shown in the table.

Engineered for life



General Catalogue

QGMC SERIES



PANEL TYPE	RATED VOLTAGE V	RATED POWER		RATED CURRENT			DIMENSIONS			WEIGHT Kg	C μF	Cs μF
		kW	HP	A			A mm	B mm	C mm			
QGMC/07	1 x 230 V ± 10 %	0,75	1	4	÷	6,3	280	370	160	3	20	40
QGMC/15	1 x 230 V ± 10 %	1,5	2	6,3	÷	10	280	370	160	3	35	60
QGMC/22	1 x 230 V ± ±10 %	2,2	3	10	÷	16	280	370	160	3	35	60

C = Run capacitor; Cs = Start capacitor

CB-QGMC_a_te

Engineered for life