



Ecocirc D5 (Solar/Vario)

The multi-awarded DC spherical motor pump for direct connection to photovoltaic panels or battery.

SPECIFICATIONS

Delivery: up to 1.5 m³/h

Head: up to 3 m

Power supply: single-phase 50 Hz

Power consumption: 1 - 22 W

Maximum operating pressure:
10 bar

Temperature of pumped liquid:
Brass: -10°C to +95°C

Insulation class: F

Protection: IP42

MATERIALS

Pump body: Brass

Impeller: Noryl - Stainless steel

Lower sleeve: Stainless steel/Noryl

Wear Ring: Ceramic

Bearings: Carbon - Ceramic

Elastomers: EPDM

APPLICATIONS

- Domestic hot water, heating water, water/glycol mixtures, other media on request

PumpIndustry Awards 2009

WINNER - ENVIRONMENTAL/ENERGY SAVING AWARD

**ENVIRONMENTAL/
ENERGY SAVING
CATEGORY WINNER**



WINNER



For a complete list of technical information, consult www.lowara.co.uk

Engineered for life

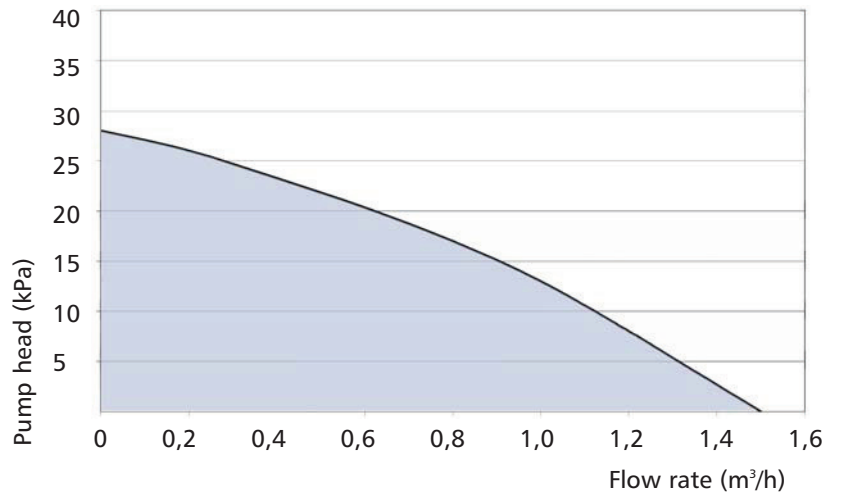
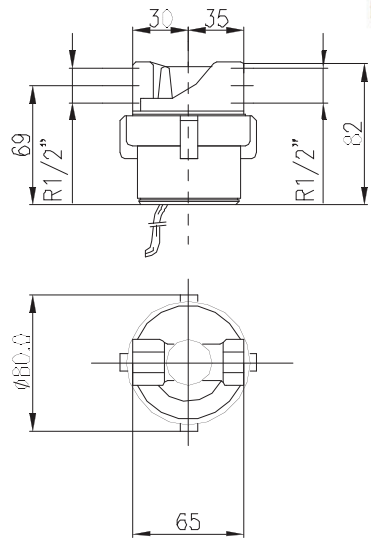


ECOCIRC D5 (Solar/Vario) DIMENSIONS AND PERFORMANCE TABLE

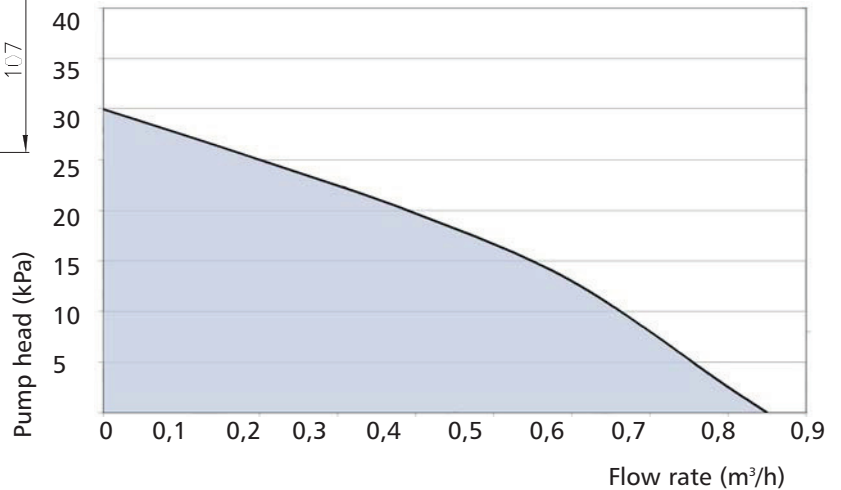
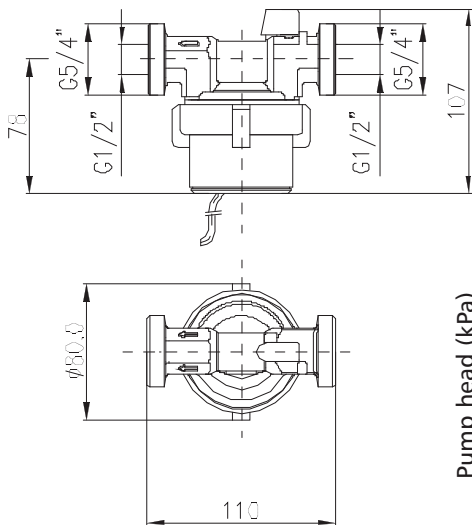
Dimensional drawings in mm, pump curves at 12 Volt,
min. start-up power consumption less than 1 Watt (12 Volt panel),
max. power consumption approx 22 Watts.

2

D5 Solar-38/700 B
D5 Vario-38/700 B



D5 Solar-38/100 B
D5 Vario-38/100 B



Engineered for life