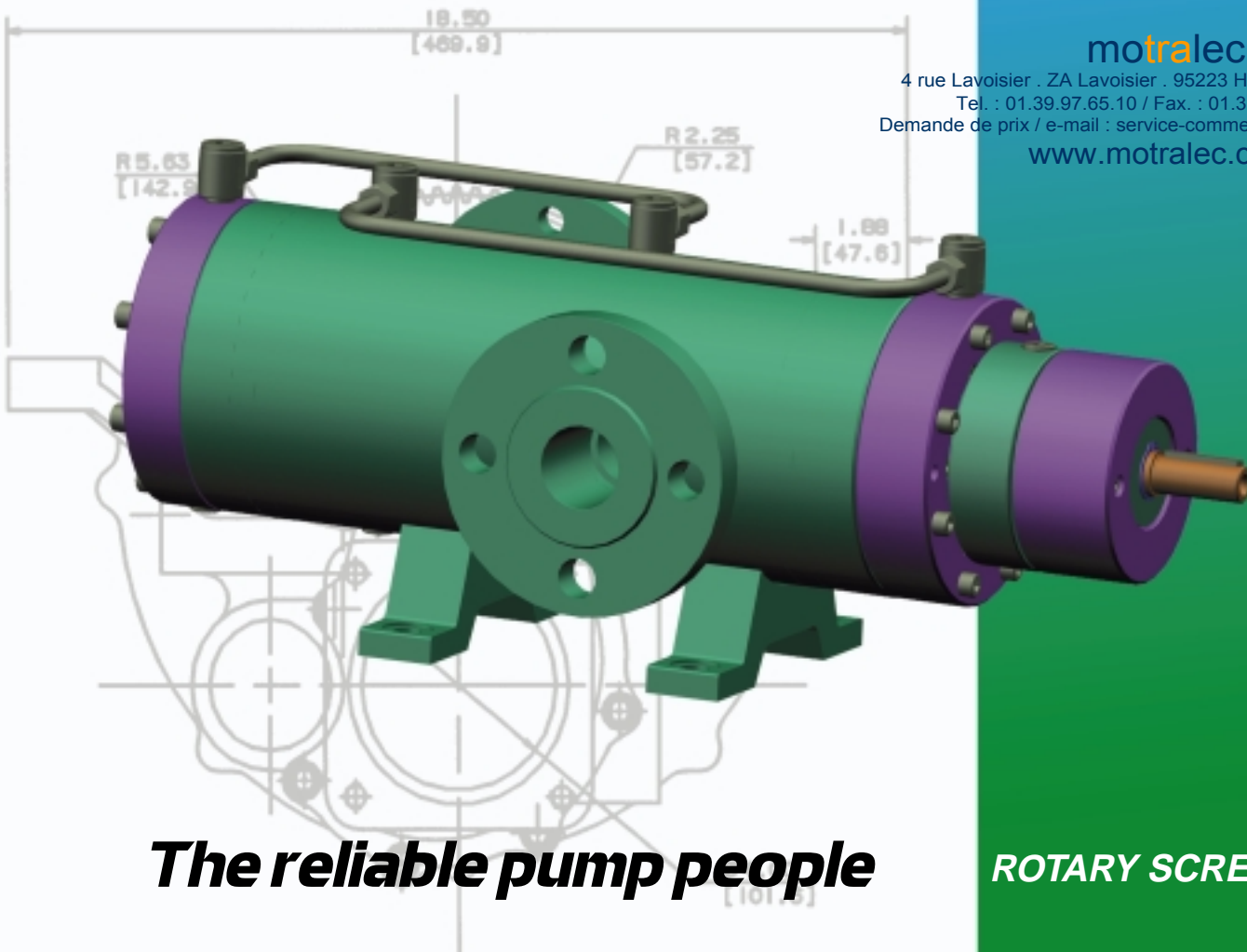




TRITEC SERIES THREE SCREW PUMPS



motralec

4 rue Lavoisier . ZA Lavoisier . 95223 HERBLAY CEDEX

Tel. : 01.39.97.65.10 / Fax. : 01.39.97.68.48

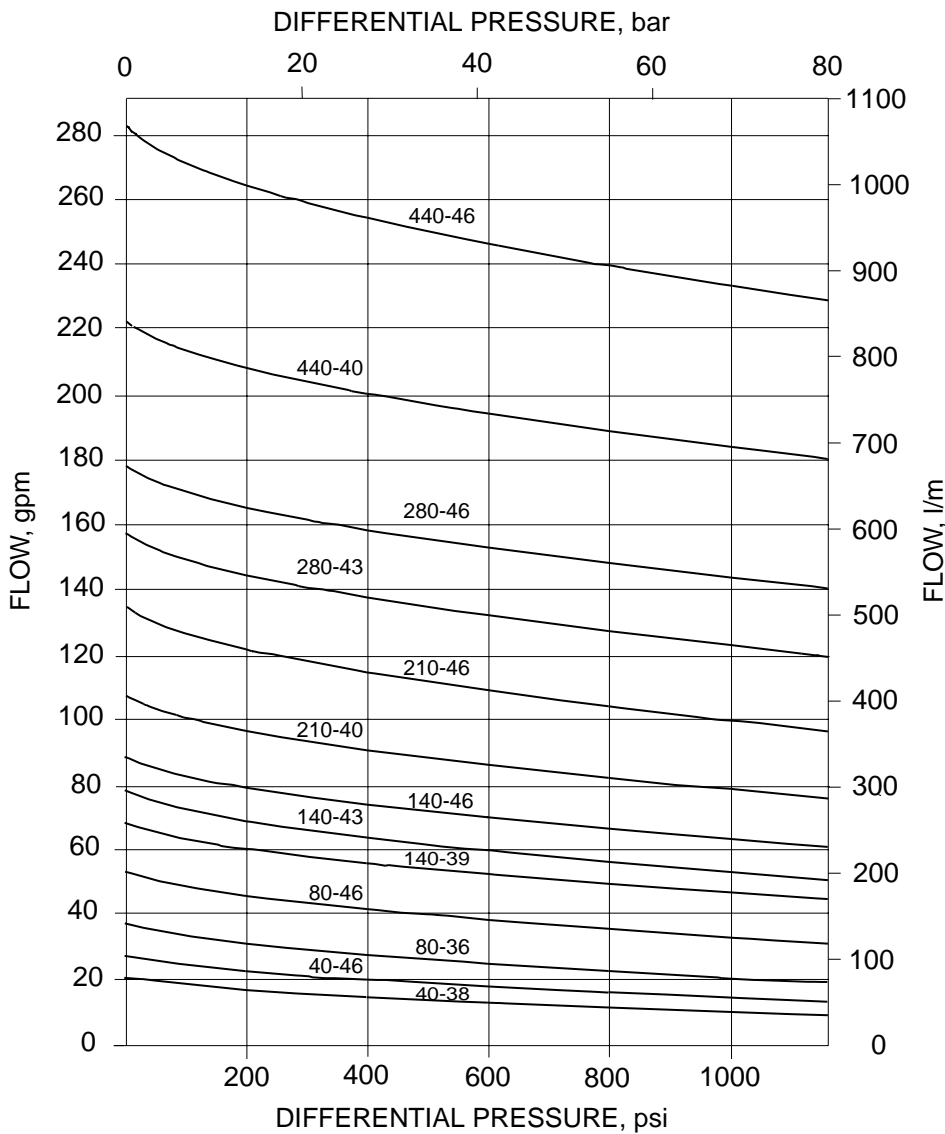
Demande de prix / e-mail : service-commercial@motralec.com

www.motralec.com

The reliable pump people

ROTARY SCREW PUMPS

Performance Shown at 3500 RPM, 1.0 Centistokes



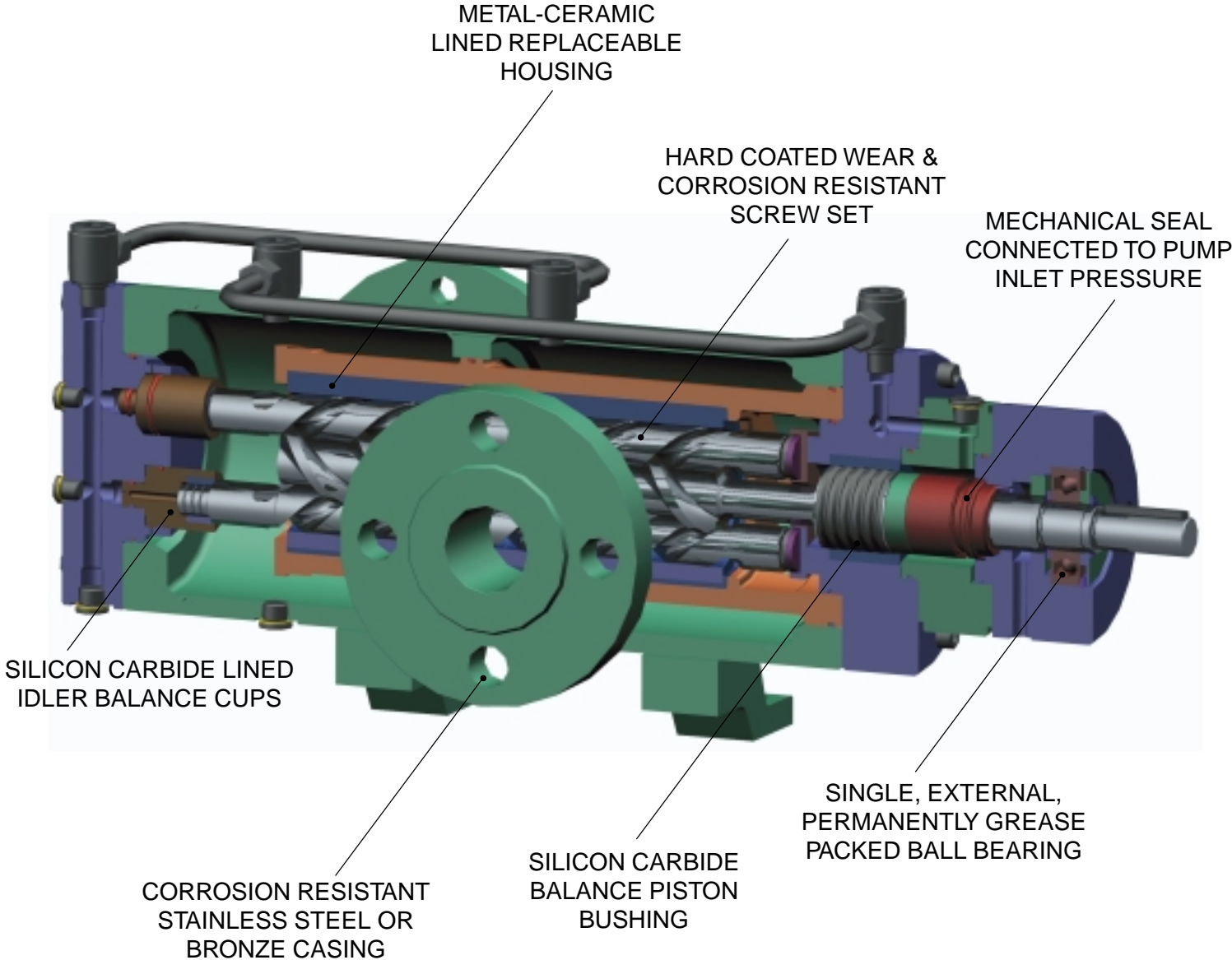
- Low Viscosity
- High Pressure
- Low Lubricity
- Abrasive
- Quiet
- Compact
- Low Pulsation
- High Efficiency

On the cover...steel cased, foot mounted horizontal Tritec pump



Tritec pumps on water injection skids

**FULL HYDRAULIC BALANCE
ELIMINATES THRUST LOADS
DUE TO DISCHARGE PRESSURE**



Specifications

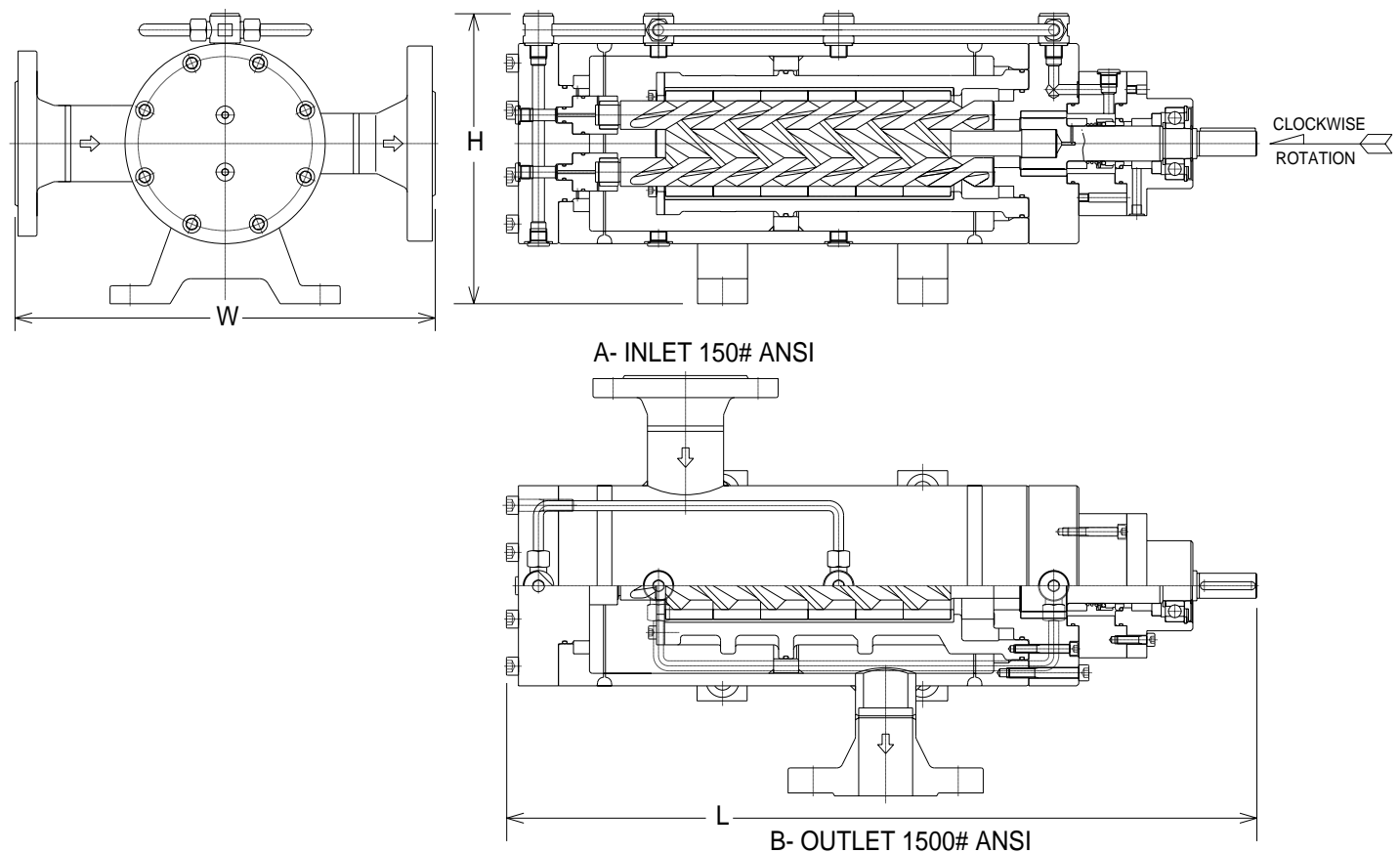
Casing	Fabricated stainless steel or cast copper alloy.
Rotor Housing	Proprietary metal ceramic composite lined stainless steel or copper alloy.
Rotors	Proprietary sintered material for abrasion resistance or a proprietary stainless steel for corrosive service.
O-Rings	As required, fluorocarbon typical.
Shaft Seal & Bearing	Mechanical seal of various styles; sealless magnetic drive also available. Ball bearing is permanently grease packed and external to the fluid pumped.
Balance Bushing & Cups	Silicon carbide lined.
Outlet Pressure	1160 PSIG (80 Bar) maximum.
Inlet Pressure	100 PSIG (7 Bar) maximum assuming suitable mechanical shaft seal.
Differential Pressure	Operation at differential pressures below 40 psi (2.8 BAR) may require pump modification to assure sufficient shaft seal cooling flow. Consult Imo Pump.
Viscosity	0.30 CST minimum. Maximum dependent on shaft sealing system and available inlet pressure.
Temperature	210°F (100°C) maximum dependent upon elastomers used. Higher temperatures on special application.
Speed	3600 RPM maximum.
Drive	Direct only through flexible coupling or magnetic drive.
Rotation	Clockwise only facing pump shaft.
Mounting	Available in foot or flange mounting, horizontal or vertical.
Accessories	Completely mounted pump/driver assemblies with baseplates, etc.

NOTE: Not all capabilities can be accommodated simultaneously. Consult Imo Pump with specific pump operating requirements.

10-220 GPM (40-830 L/M) Pressure to 1160 PSIG (80 BAR)

The Tritec series three screw pumps are designed for handling liquids with little or no lubricating properties, liquids that are corrosive or that contain abrasives. Examples include fresh or sea water, desalinated or deionized water, acid containing liquids, boiler feedwater, caustic solutions, emulsions, naphtha, waste oils and solvents, residual oils, etc. The use of stainless steel casings, proprietary metal-ceramic lined housing and super hard-coated, corrosion resistant steel pumping screws means long life on very difficult services.

Tritec pumps offer high efficiency, low pulsation, extremely low noise levels and low shearing of the liquid pumped. Variable flow can be achieved using variable speed drives. Pumps are suitable for combustion gas turbine water injection for Nox emission reduction, water hydraulics, chemical processing, liquid fuel atomization for boilers and gas turbines, steel ingot descaling in rolling mills and other non-traditional three screw pump applications.



Size	A		B		H		L		W		WEIGHT	
	INCH	MM	INCH	MM	INCH	MM	INCH	MM	INCH	MM	LBS.	KG
40	1.26	32	0.98	25	9.8	248	19.9	504	11.8	300	110	50
80	1.97	50	1.57	40	10.7	270	24.9	633	14.2	360	130	60
140	2.56	65	1.97	50	11.4	290	29.5	750	16.5	420	175	80
210	3.15	80	2.56	65	12.6	320	30.5	774	18.1	460	220	100
280	3.94	100	3.15	80	14	355	35.7	906	19.7	500	375	170
440	4.92	125	3.94	100	15.7	399	37.1	941	22.8	580	530	240

DATA NOMINAL. REQUEST CERTIFIED DRAWING FOR CONSTRUCTION



A Member of the
COLFAX PUMP GROUP

motralec

4 rue Lavoisier . ZA Lavoisier . 95223 HERBLAY CEDEX
Tel. : 01.39.97.65.10 / Fax. : 01.39.97.68.48
Demande de prix / e-mail : service-commercial@motralec.com
www.motralec.com



ALLWEILER



HOUTTUIN



IMO PUMP



WARREN



COLFAX PUMP GROUP



Quality Management System