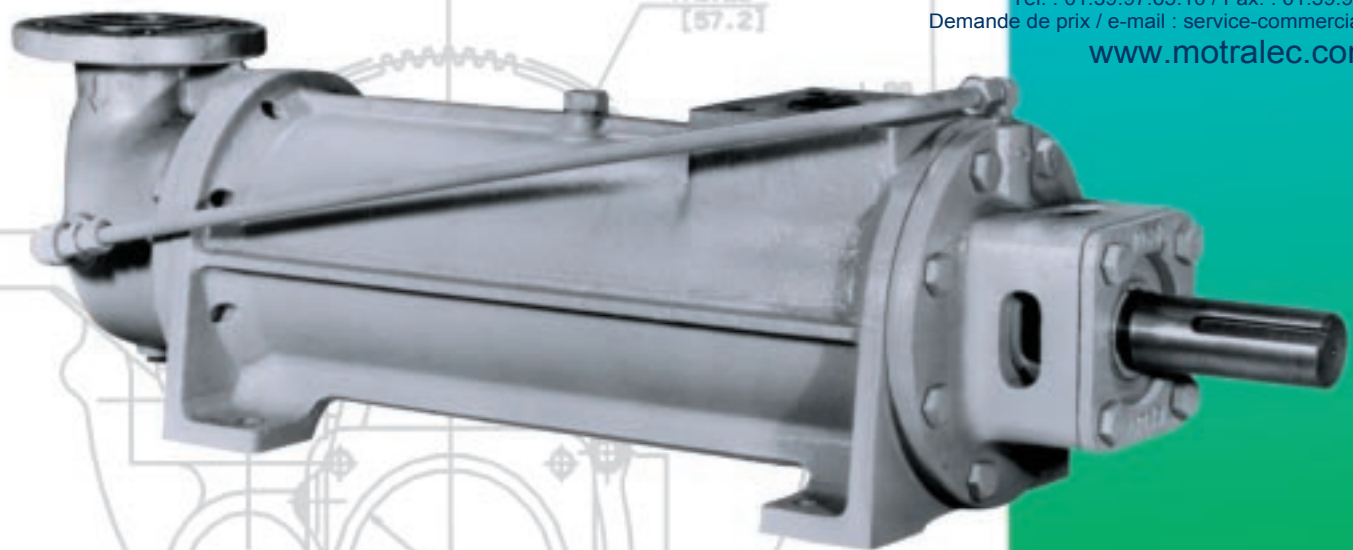




6D SERIES THREE SCREW PUMPS

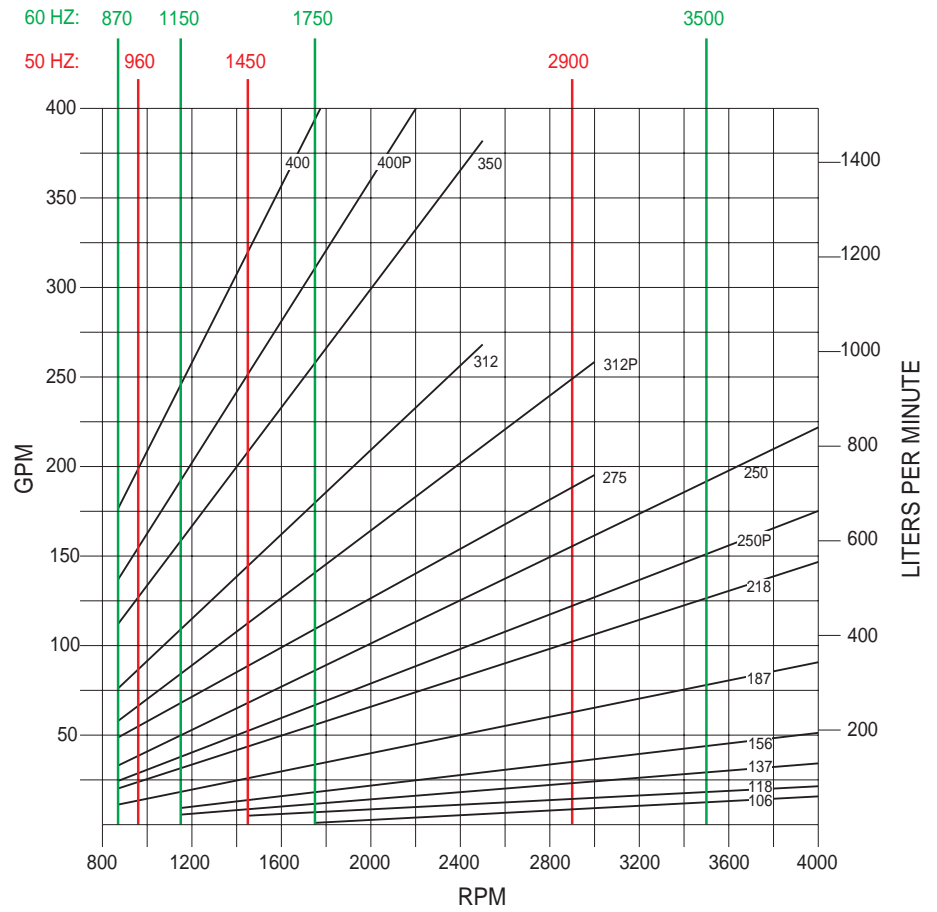


motralec
4 rue Lavoisier . ZA Lavoisier . 95223 HERBLAY CEDEX
Tel. : 01.39.97.65.10 / Fax. : 01.39.97.68.48
Demande de prix / e-mail : service-commercial@motralec.com
www.motralec.com

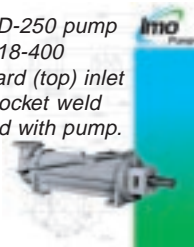
The reliable pump people

ROTARY SCREW PUMPS

Performance Shown at 1000 PSID (70 BAR), 200 SSU (43 CST)



On the cover...6D-250 pump typical for sizes 218-400 shown with standard (top) inlet position. Outlet socket weld adapter is included with pump.



(16) 6D-312 pumps on crude oil pipeline service in the Pacific Rim area



6D-118 pump on pipeline turbo compressor gas sealing service

Sealless Mag drive 6D-156 pump on turbo expander gas sealing service

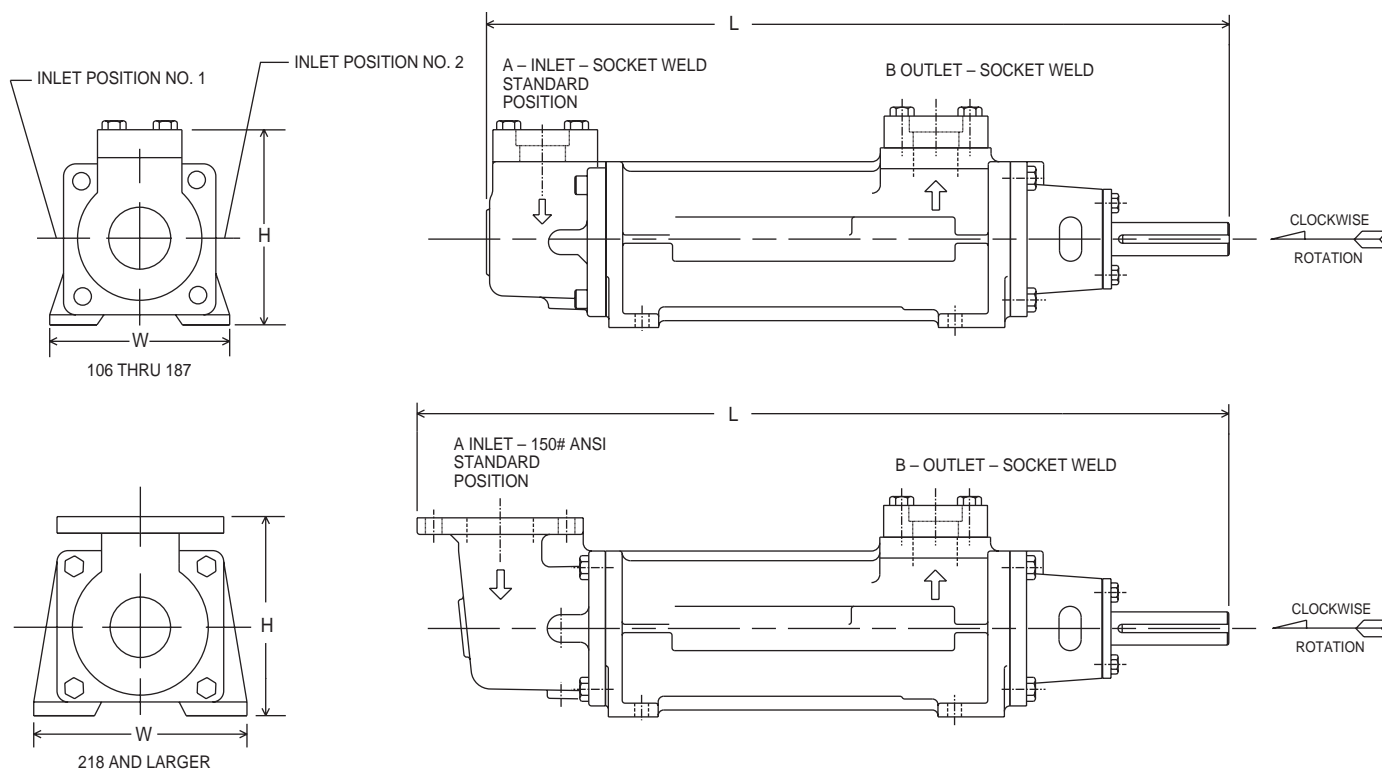
Specifications

Casing	High shock capacity ductile (nodular) iron. Consult Imo for steel case availability.
Rotor Housing	Pearlitic gray iron for rotor sizes 106 through 187; bronze sizes 218 and larger.
Power Rotor	Alloy steel, nitride hardened and thread ground.
Idler Rotors	Pearlitic gray iron, induction hardened and thread ground for sizes 106 through 187; alloy steel, nitride hardened and thread ground sizes 218 and larger.
Gaskets	Cellulose and non-asbestos fiber.
Seal & Bearing	Type B: Buna N bellows mechanical seal, Buna N O-rings and standard external, permanently grease packed, deep groove ball bearing – recommended for distillate fuels and lubricating oil or hydraulic fluids. Type H: Positive drive mechanical seal, fluorocarbon O-rings and external high temperature, permanently grease packed, deep groove ball bearing. Sealless magnetic drive also available.
Accessories	Completely mounted, built to order pump/driver assemblies are available with baseplates, ANSI RF spool pieces, NEMA 'C' face adapters.
Outlet Pressure	1500 PSIG (103 BAR) maximum for lube, seal and hydraulic oils. 1000 PSIG (70 BAR) maximum for distillate, residual and crude oils. Minimum recommended differential pressure is 40 PSI (2.8 BAR).
Inlet Pressure	Type B & H: 75 PSIG (5 BAR) maximum, sizes 106-187 50 PSIG (3 BAR) maximum, sizes 218-400
Viscosity	33 SSU (2.0 CST) minimum Type B: 3000 SSU (650 CST) maximum (consider cold start) Type H: Viscosities above 3000 SSU (650 CST)
Temperature	Type B: 0 to 180°F (-18 to 82°C) Type H: Sizes 106-187: 0 to 250°F (-18 to 121°C) for <1800 RPM 0 to 225°F (-18 to 107°C) for > 1800 RPM Sizes 218 and up: 0 to 200°F (-18 to 93°C)
Speed	See curve termination for maximum speed. Do not exceed 1800 RPM when pumping residual fuels or crude oil due to the presence of abrasives and contaminants.
Drive	Direct only. Magnetic drive also available to 200 HP at 3500 RPM.
Rotation	Clockwise facing pump shaft.
Mounting	May be foot mounted in any orientation. Flange mounting optional for certain applications.
Filtration	Inlet strainers are required to keep contaminants and abrasives out of the pump. They must be selected in consultation with the strainer vendor to prevent pump starvation. Normally, 60 mesh (0.01 inch- 238 micron) for light and 1/8-3/16 inch (3-5mm) openings for heavy oils are recommended.

4-400 GPM (16-1514 L/M) Pressure to 1500 PSIG (103 BAR)

Series 6D lmo pumps are intended for relatively high pressure service on petroleum or similar viscosity liquids. Typical applications include crude oil pipeline service, fuel atomization for burning in a steam boiler, fuel injection for combustion gas turbines, fluid power service on hydraulically operated machinery, gas sealing in centrifugal compressors and hydrostatic bearing support.

These pumps are hydraulically balanced in both the axial and radial directions which eliminates bearing loads due to discharge pressure. The single bearing is external to the liquid pumped and does not rely on the lubricating qualities of the pumped liquid. The single mechanical seal is exposed only to inlet pressure. Very low airborne noise levels are normal for lmo three screw positive displacement pumps as are high operating efficiencies and non-pulsating delivery of flow.



SIZE	A		B		H		L		W		WEIGHT	
	INCH	MM	INCH	MM	INCH	MM	INCH	MM	INCH	MM	LBS.	KG
106	1	25.4	1	25.4	6.8	172	18.4	468	6	153	49	22.2
118	1-1/2	38.1	1	25.4	7	189	19.6	498	6.3	161	57	25.9
137	1-1/2	38.1	1	25.4	7.3	185	21.7	552	6.5	166	71	32.2
156	2	50.8	1-1/2	38.1	7.8	197	24.2	615	7	178	83	37.7
187	2	50.8	1-1/2	38.1	8.3	210	26.5	674	7.5	191	117	53
218	2-1/2	63.5	2	50.8	9	244	36.5	928	9	228	204	93
250	3	76.2	2-1/2	63.5	10.75	280	39.9	1014	10	254	309	140
275	3	76.2	3	76.2	11.12	313	42	1067	11	280	350	159
312	4	101.6	3	76.2	11.75	331	46	1169	12	305	392	177
350	5	127	4	101.6	13.25	412	50.4	1281	13	331	510	231
400	6	152.4	4	101.6	16	432	55	1397	14	356	845	383



A Member of the
COLFAX PUMP GROUP

motralec

4 rue Lavoisier . ZA Lavoisier . 95223 HERBLAY CEDEX
Tel. : 01.39.97.65.10 / Fax. : 01.39.97.68.48
Demande de prix / e-mail : service-commercial@motralec.com
www.motralec.com



Quality Management System



COLFAX PUMP GROUP