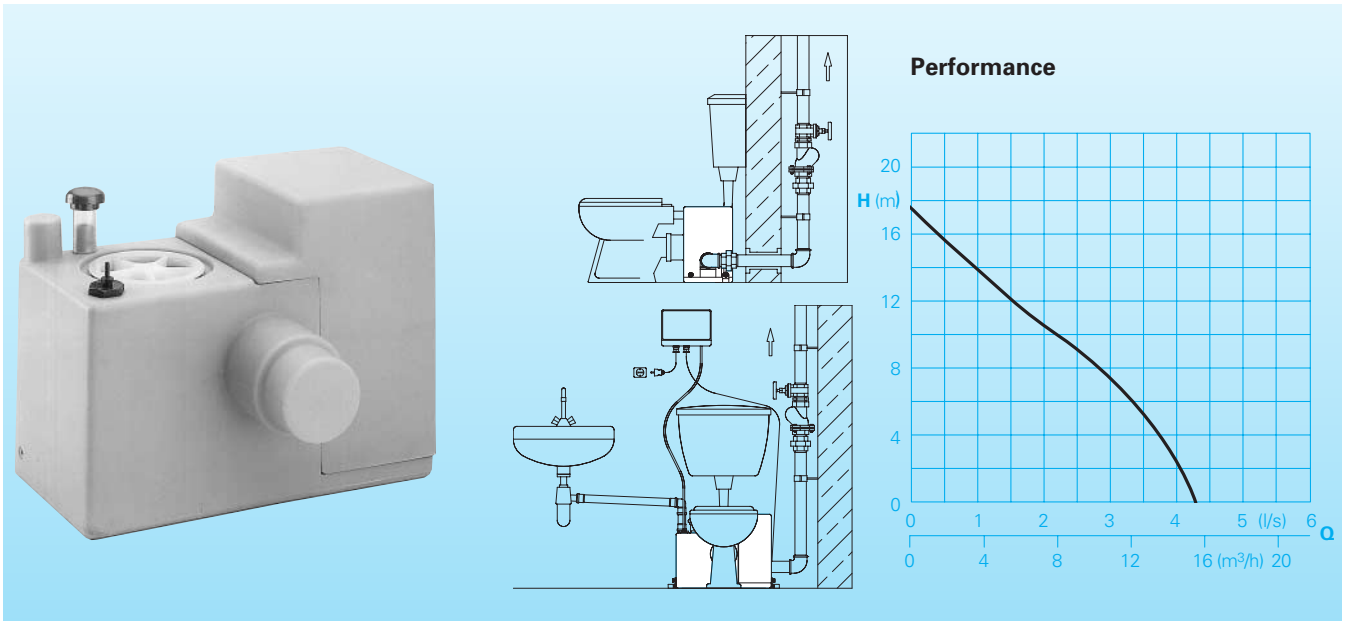


Compact sewage disposal unit with cutting system pump.

Sanipower



Application

Sanitary installations with WC, hand basins, washing machines and showers in basement apartments or cellars which are below sewer backflush level require the installation of a lifting station. The Sanipower is the ideal solution for this problem. With the advantage of a ground level direct WC connection, it is possible to place the Sanipower directly on to the back of the toilet. The reliable integrated stainless steel cutter system reduces to small pieces all soft solids from the waste water.

The diameter for the discharge pipe should be 1 1/4" minimum which can be easily laid at low cost with a minimum of construction work.

DIN EN 12050-1: Conformity and design approved and controlled by LGA, certificate No. 0220119.

Pumped liquid: Drainage water, waste water or sewage. Max. liquid temperature: 35°C, short term up to 60°C.

Operation: Intermittent.

Design

Compact sewage disposal unit consisting of:

Collecting tank: Odour and gas-tight composite collection tank. Max. utility volume 11 l. WC-inlet: DN 100 horizontal, inlet height 180 mm. Vertical inlet DN 50 on the top of the tank. Air vent DN 25 vertical. Cleaning cover with screw cap.

Pump: Single stage centrifugal pump with horizontal discharge. Open multi-channel impeller with cutting system. Discharge: BSP 2" M.

Motor: Single phase electric motor with thermal sensors embedded in the winding. Insulation class F. Degree of protection IP 68. Capacitor 30 µF.

Shaft/Bearing: Large diameter steel rotor shaft, pre-lubricated bearings.

Seals: Combination of mechanical seals (siliconcarbide / siliconcarbide) and lip seal in oil chamber.

Control box: Pneumatic level control with pressure switch. Electronic control box, motor over run period. Overload protection. Temperature control of the winding with automatic motor restart.

Materials:

Collecting tank	Composite
Pump housing, motor housing, impeller	Cast iron GG 25/EN-GJL-250
Cutting system	Stainless steel 1.4528
Rotor shaft, screws	Stainless steel
Seal kit	Perbonane

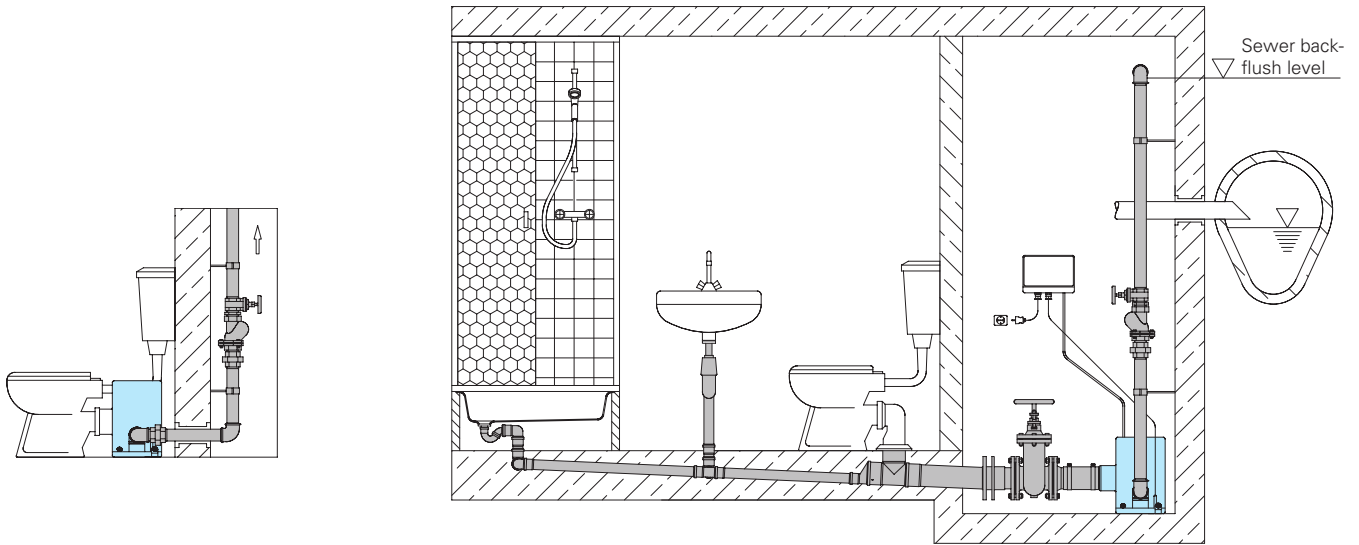
Technical Data

Motor input P ₁	1,5 kW
Motor output P ₂	1,1 kW
Voltage	230 V/1 Ph, 50 Hz
Speed	2900 rpm
Nominal current	7,0 A
Cable	H 07RN-F 4G1,5
Weight	32 kg
Discharge	BSP 2" M

Equipment supplied

Tank with pump, pneumatic electronic control box, 2 m of cable and plug.

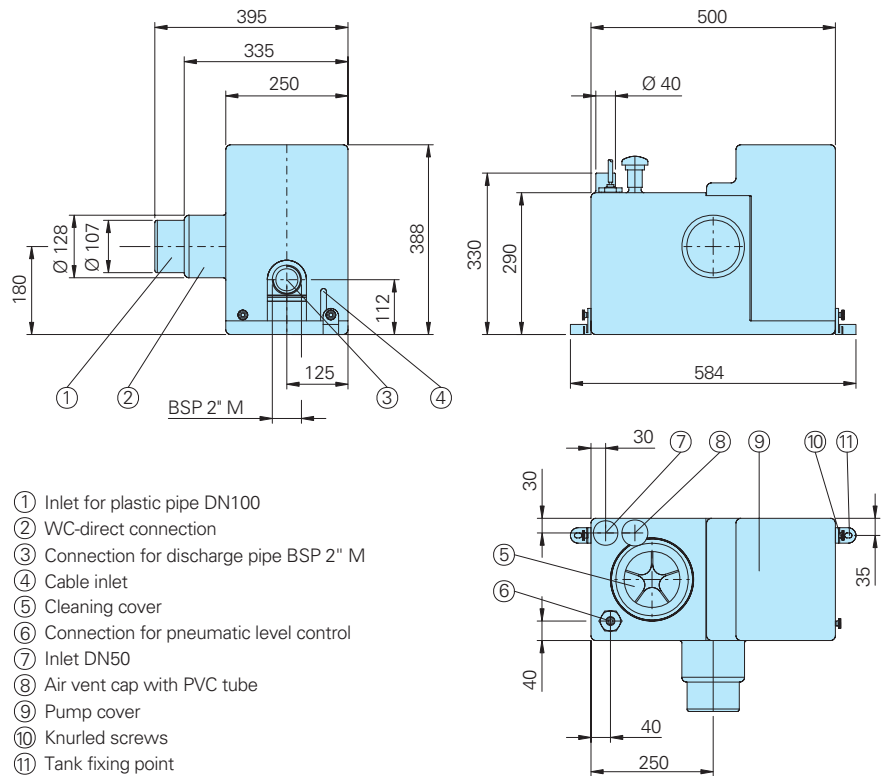
Installations



Accessories

Part Description	Dimension	Part No.
Gasket for WC-direct connection	dia. 134/87	2725134
90° galvanized elbow	BSP 2" F	
x BSP 1 1/2" F		2112605
	BSP 2" F	2113606
Bronze non-return valve	BSP 1 1/2" F	2211313
	BSP 2" F	2211413
Bronze gate valve	BSP 1 1/2" F	2216015
	BSP 2" F	2216020
Galvanized union piece	BSP 1 1/2" M/F	2214305
	BSP 2" M/F	2214310

Dimensions



all dimensions in mm

motralec

4 rue Lavoisier . ZA Lavoisier . 95223 HERBLAY CEDEX
 Tel. : 01.39.97.65.10 / Fax. : 01.39.97.68.48
 Demande de prix / e-mail : service-commercial@motralec.com
www.motralec.com

HOMA
 P U M P T E C H N O L O G Y