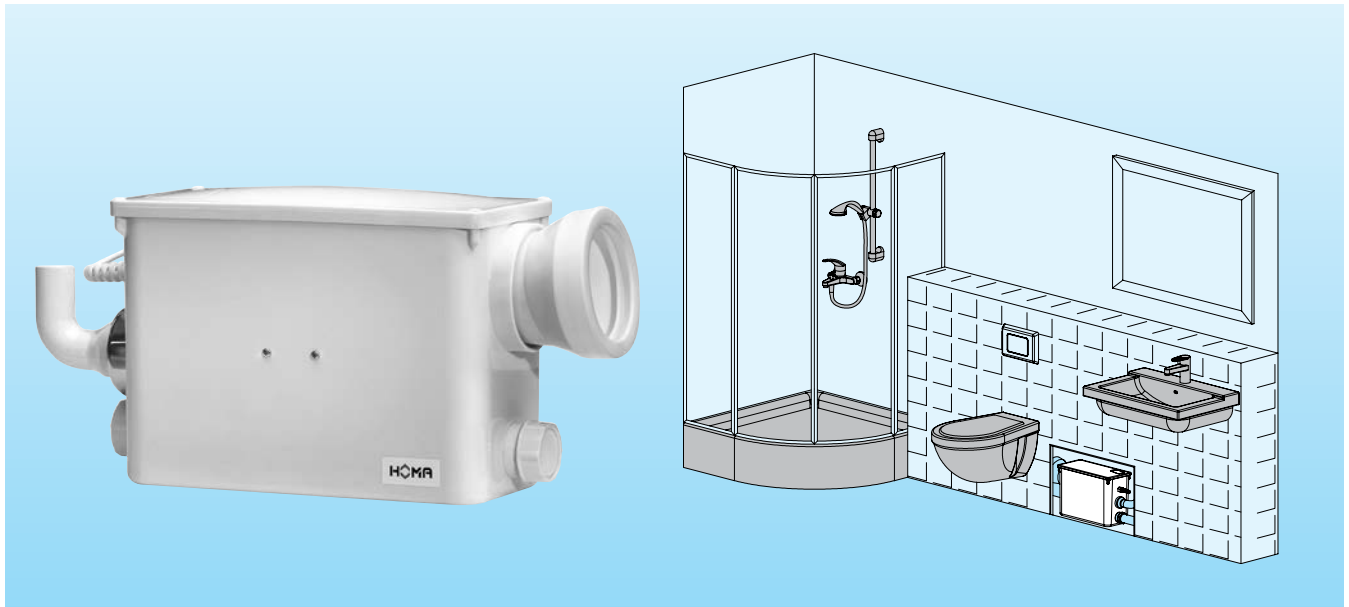


## Compact waste water disposal unit with cutter pump for front-wall installation

### Saniflux V



#### Application

Compact lifting station for front-wall installation. Waste disposal from WC, hand basin and shower below the sewer backflush level. Saniflux V is also ideal for subsequent installation of sanitary facilities. The symmetrical design of the collection tank allows an installation alternatively on right or left side of the WC. The built-in submersible pump with its stainless steel cutter system reduces soft solids to small pieces. A discharge pipe with 1" minimum diameter can be easily installed with minimum construction work.

DIN EN 12050-3: Conformity and design approved and controlled by LGA, Certificate No. 0220119.

Pumped Liquid: Domestic drainage water, domestic waste water with faeces.

Maximum Liquid Temperature: 35°C, short term up to 60°C.

Operation: Intermittent.

#### Design

Compact waste water disposal unit comprising:

Collection Tank: Odour-tight plastic collection tank. Maximum utility volume 11.5 litres. Lateral WC-inlet: DN 100 horizontal, inlet height 180 mm. Two inlets DN 40 with integrated non-return valves for shower or hand basin. Discharge 25 mm diameter with integrated non-return valve. Air vent with activated carbon filter.

Pump: Single-stage centrifugal pump with horizontal discharge. Open multi-channel impeller with cutting system.

Motor: Single-phase electric motor with thermal sensors embedded in the winding. Insulation Class B. Degree of protection IP 68. Stainless steel rotor shaft, pre-lubricated bearings, double mechanical seal.

Pump Operation Control: Pneumatic level control.

#### Materials:

Collection tank	Composite
Pump housing	Glass fibre reinforced plastic
Impeller	Composite
Motor housing, cutting system, rotor shaft	Stainless steel

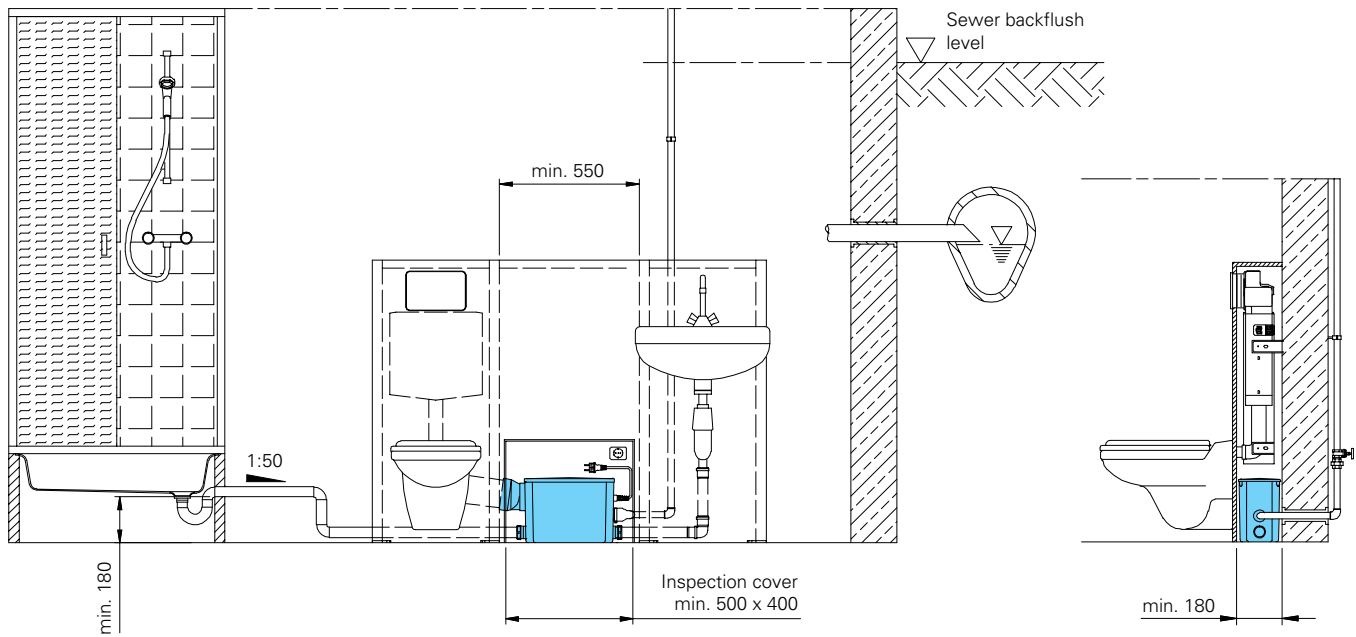
#### Technical Data

Motor input P <sub>1</sub>	650 W
Motor output P <sub>2</sub>	350 W
Voltage	230V/1Ph, 50 Hz
Speed	2900 rpm
Nominal current	2.1 A
Cable	H 03VVf3x0.75
Insulation Class, (complete appliance)	IP 44
Weight	8 kg
Discharge	DN 25

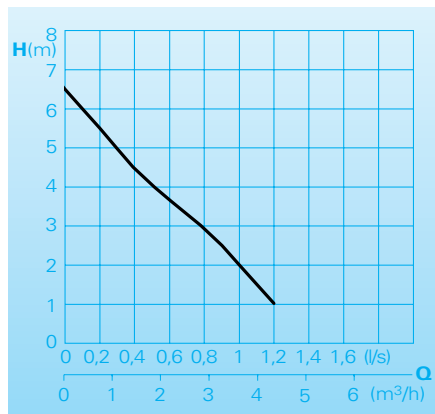
#### Equipment supplied

Tank with pump, cable with plug.

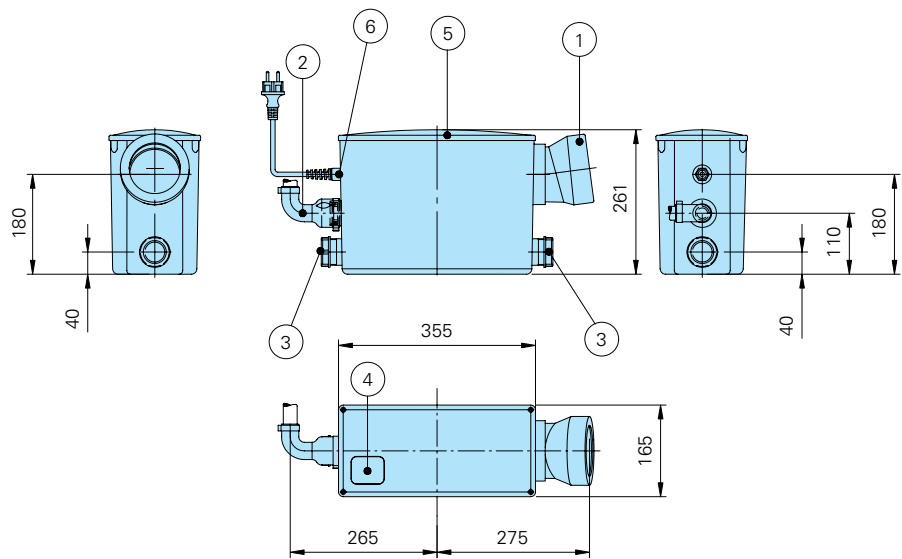
**Installations**



**Performance**



**Dimensions**



**Accessories**

Part Description	Dimension	Part No.
Bronze gate valve	BSP 1" F	2216010
	BSP 1 1/4" F	2216012
	BSP 1 1/2" F	2216015
90° galvanized elbow	BSP 1" F/M	2111305
	BSP 1 1/4" F/M	2111405
	BSP 1 1/2" F/M	2111505
Galvanized union piece	BSP 1" M/F	2114303
	BSP 1 1/4" M/F	2114304
	BSP 1 1/2" M/F	2114305
Hose spigot	1"	2001313
	1 1/4"	2001413
	1 1/2"	2001513

- ① Connection for universal flush WC, DIN 1387/1388
- ② Connection for discharge 25 mm dia.
- ③ Inlet DN 40 (40 mm dia.)
- ④ Air vent with activated carbon filter
- ⑤ Tank cover
- ⑥ Cable inlet

all dimensions in mm



HOMA Pumpenfabrik GmbH  
 P.O.Box 22 63, D-53814 Neunk.-Seelscheid  
 Tel. +49 (0) 22 47/702-0, Fax +49 (0) 22 47/702-44  
 e-mail: info@homa-pumpen.de  
 www.homapumps.com