

Alfa

Polymer bodied self priming pump



Applications

Domestic water supply, irrigation water transfer, pressurisation and self priming to 9m.

Materials

Pump body

Polyamide (glass loaded polymer).

Impeller

Noryl (glass loaded polymer).

Alfa 1250 : Stainless steel. AISI 304

Diffuser

Noryl (glass loaded polymer).

Motor shaft

Stainless steel. AISI 420.

Mechanical seal

Graphite and ceramic.

Motor

Insulation class F.

Protection IP 44.

Continuous operation.

Single phase with built-in thermal protection.

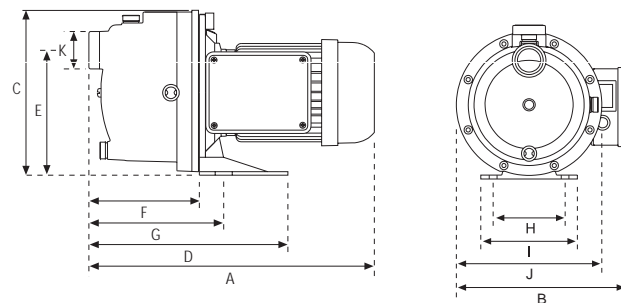
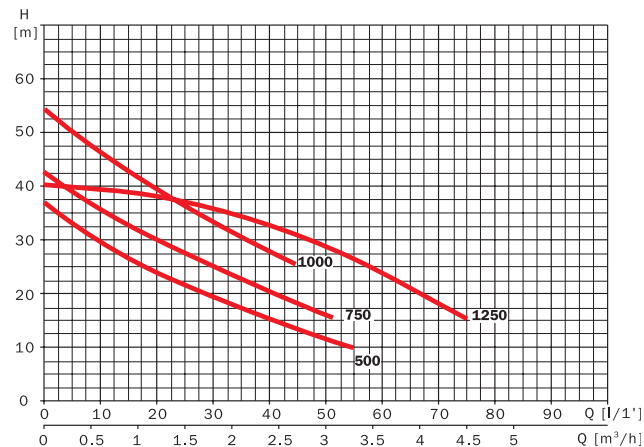
Limitations

Maximum suction lift: 9m.

Maximum temperature of liquid: 35°C.

Equipment

Version SM: Supplied with carry handle, on/off switch, and 2m of power cable (Available on request).



	A	B	C	D	E	F	G	H	I	J	K	DNa	DNm	Kg
Alfa 500	336	211,2	229,2	234	147	130	158,5	94	126	186	195	1"	1"	6
Alfa 750	336	211,5	229,2	234	147	130	158,5	94	126	186	195	1"	1"	6.8
Alfa 1000	358,5	220,5	229,2	234	147	130	158,5	94	126	186	195	1"	1"	9
Alfa 1250	385,5	222,5	229,2	261	155	157	185,5	94	126	190	195	1"	1"	10.3

MODEL	A			P1 (kW)		kW	HP	µF
	1~	3~		1~	3~			
	230 V	230 V	400 V					
Alfa 500	2.8	-	-	0.6	-	0.37	0.5	12
Alfa 750	3.4	-	-	0.8	-	0.5	0.75	12
Alfa 1000	4.8	-	-	1	-	0.75	1	16
Alfa 1250	4.4	-	-	1	-	0.5	0.75	16

Single phase	Price	Three phase	Price	I/1'	5	15	25	35	40	50	60	75
				m³/h	0.3	0.9	1.5	2.1	2.4	3	3.6	4.5
Alfa 500 M	120	N/A	N/A	H [m]	33	26	22	18	17	13	-	-
Alfa 750 M	126	N/A	N/A		37	32	27	23	21	17	-	-
Alfa 1000 M	131	N/A	N/A		47	40	34	29	27	-	-	-
Alfa 1250 M	182	N/A	N/A		40	38	36	35	33	28	23	15