



# ITT

Water & Wastewater

## Flygt DXG

# Reliable residential grinder!



Twenty five years in grinder development has resulted in the new Flygt DXG. This residential grinder turns all solid matter into sludge. No more blocked sewage – no more problems!

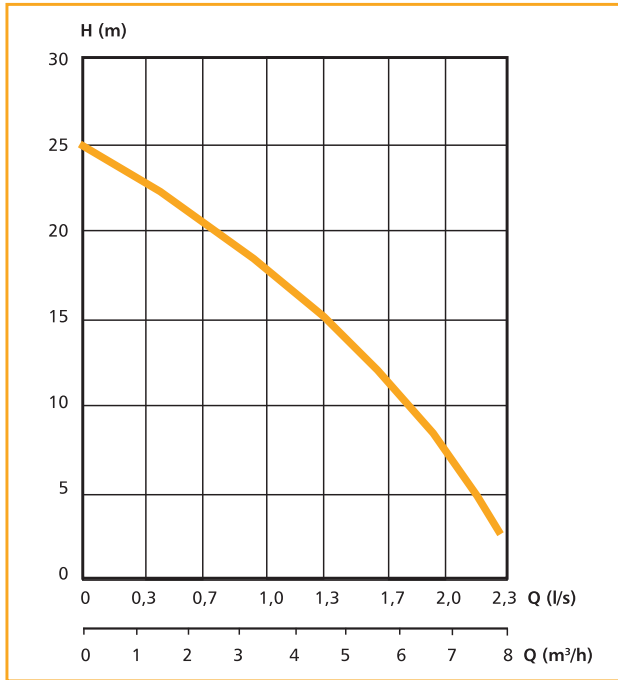


*Engineered for life*

**motralec**

4 rue Lavoisier . ZA Lavoisier . 95223 HERBLAY CEDEX  
Tel. : 01.39.97.65.10 / Fax. : 01.39.97.68.48  
Demande de prix / e-mail : [service-commercial@motralec.com](mailto:service-commercial@motralec.com)  
[www.motralec.com](http://www.motralec.com)

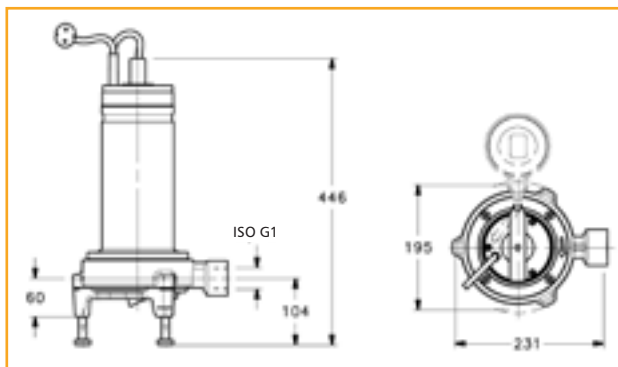
- Designed-protected cutter wheel for highly efficient cutting
- Cutter wheel and cutter plate in hardened stainless steel
- Patented easy trim of cutting device for easy service
- Dry motor for submersible duty with class F winding
- Built-in capacitor and float switch (1-phase version)



Stationary installation suspended from a discharge pipe and fitted with an outlet bend. Here in a Flygt Compit station.



Stationary wet installation directly to a discharge connection using guide bars when fitted with a sliding bracket. Here in a Flygt Micro 7 station.



Pump version	Power	Phase	Input Current		Capacitor	Weight	Cable length
			220-240 V	380-415 V			
DXG 25-11	1.1 kW	3-phase	4.7	2.7		18.3 kg	10 m
DXGM 25-11	1.1 kW	1-phase	7.0		30 μF. 450V	19 kg	10 m

**motralec**

4 rue Lavoisier . ZA Lavoisier . 95223 HERBLAY CEDEX  
 Tel. : 01.39.97.65.10 / Fax. : 01.39.97.68.48  
 Demande de prix / e-mail : service-commercial@motralec.com

[www.motralec.com](http://www.motralec.com)